

MIZ Horn appliances



Description

Wheelock MIZ piezoelectric mini horns are compact electronic alarm appliances that are listed under UL Standard 464 for Audible Appliances in Public Mode Fire Protection Systems. The MIZ-24S models provide a field selectable Continuous or Code 3 horn tone when connected directly to a fire alarm control panel. They can also provide a synchronized Code 3 horn tone using the Wheelock DSM sync modules or Wheelock power supplies. The MIZ appliances are attractive and offer high sound output along with low current draw. Color choices of red or off-white will blend with any décor.

Applications

- Individual rooms
- Apartments
- Hotels
- Motels
- Offices

General information

- Mini horn models are Listed for indoor use with a temperature range of 32° F to 120° F (0° C to 49° C) and maximum humidity of 93% RH \pm 2%.
- Rated input voltage (either filtered DC or unfiltered full-wave-rectified FWR): 16-33 VDC (for 24 VDC MIZ-24S models)

Note: Please read these specifications and associated installation instructions before using, specifying, or installing this product. Visit Eaton.com/massnotification for current installation instructions.

Features & benefits

- Approvals include: UL Standard 464, California State Fire Marshal (CSFM), New York City (MEA), and Factory Mutual (FM)
- Field-selectable settings for Temporal (Code 3) or Continuous Horn
- Synchronized Code 3 horn when used with Wheelock sync module
- Designed to meet or exceed NFPA/ANSI standards
- Convenient mounting to any standard single-gang box
- Beauty plugs to cover mounting screws
- No additional trim plate required for flush mounting
- Fast installation with In/Out screw terminals using #12 to #18 AWG
- High sound output with low current draw
- Available in red or off-white color

Drawings

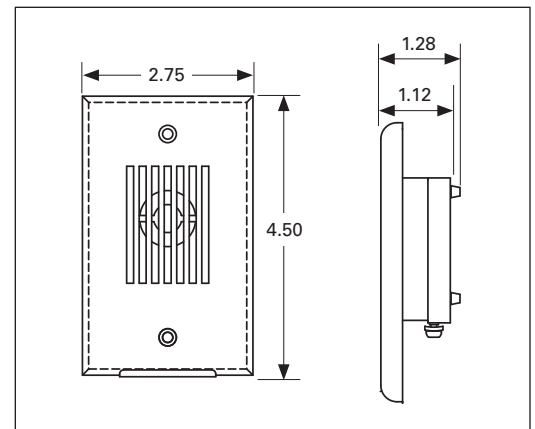


Figure 1. MIZ front and side views



Powering Business Worldwide

Table 1. UL Listed models and ranges

Model Number	Regulated UL Voltage	Average RMS Current (AMPS)①	Reverberant dBA Per UL 464 @ 10 ft		Anechoic dBA @ 10 ft	
			Continuous	Code 3	Continuous	Code 3
			dBA	dBA	dBA	dBA
MIZ-24S	24 VDC	0.025	83.2	78.8	87.9	87.9
	UL max①	0.026	85.8	81.3	90.6	89.7

① RMS current ratings are per UL average RMS method. UL max current rating is the maximum RMS current within the listed voltage range (16–33v for 24v units). For strobes the UL max current is usually at the minimum listed voltage (16v for 24v units). For audibles the max current is usually at the maximum listed voltage (33v for 24v units). For unfiltered FWR ratings, see installation instructions.

Table 2. Specifications and ordering information

Model Number	Order Code	Description	Mounting Options①	Agency Approvals			
				UL	MEA	CSFM	FM
MIZ-24S-R	8485	24 Volt, Red	B	X	X	X	X
MIZ-24S-W	8484	24 Volt, White	B	X	X	X	X

① Refer to Data Sheet TD450028EN for mounting options.

Architects and engineers specifications

The notification appliance shall be a Wheelock MIZ-24S audible appliance or approved equal. The notification appliance shall be electronic and shall have field selectable settings for Temporal (Code 3) or continuous horn and support coded systems operation. The anechoic sound pressure measurement on Temporal (Code 3) setting shall be 87 dBA minimum at 24VDC. The anechoic sound pressure measurement on Continuous Horn setting shall be 87 dBA minimum at 24 VDC. Operating voltages shall be 24 VDC using filtered power or unfiltered power supply (full-wave-rectified). All models shall have provision for standard reverse polarity type supervision and IN/OUT wiring using terminals that accept #12 to #18 AWG wiring. The appliances shall be mounted indoors and mount on standard single-gang electrical backboxes requiring no additional trim plates or adapters.

Note: Due to continuous development of our products, specifications and offerings are subject to change without notice in accordance with Cooper Wheelock, Inc., dba Eaton, standard terms and conditions.



WE ENCOURAGE AND SUPPORT NICET CERTIFICATION
3-YEAR WARRANTY

Eaton
1000 Eaton Boulevard
Cleveland, OH 44122
United States
Eaton.com

Eaton
Life safety & mass notification solutions
273 Branchport Ave.
Long Branch, NJ 07740
www.eaton.com/massnotification

© 2017 Eaton
All Rights Reserved
Printed in USA
Publication No. TD450052EN
January 2017

Eaton is a registered trademark.

All other trademarks are property of their respective owners.

