

MAX Strobes



Description

The Wheelock MAX strobes by Eaton are high-intensity, weather-resistant visible warning signals, designed for stationary or mobile applications. Available in AC or DC voltage and with a steady-light option.

The AC-MAX and AC-MAXS models are for 120 VAC applications. The DC-MAX and DC-MAXS models are for DC applications, with a DC voltage range of 10.5 VDC to 31.0 VDC.

MAXS versions offer two steady lights in addition to the strobe light.

Applications

MAX strobes:

- Hazard warning/alerting
- Industrial visual signaling
- Strobe beacons for vehicles or equipment
- Process control area notification
- Access gate/loading dock identification

Strobe & steady-light models:

- Location of specific equipment
- Eye wash station/emergency medical kit location
- Emergency phone location
- Warning lights
- Security alert indication

Features & benefits

Features for all models:

- Approvals include: UL Standard 1638 Listed for indoor or outdoor use
- AC-MAX and AC-MAXS models are for 120 VAC applications
- Powerful double flash light burst
- 60 double flashes per minute
- Available lens colors per SAE specifications: amber, blue, clear, red
- Durable, high impact Lexan, construction
- Mounting options: 1/2 inch pipe, surface mount, flange mount, standard 4-inch square electrical box or Wheelock WBB weather resistant backbox (order code 2959)
- Overall height: 5 inches
- Diameter: 6.2 inches
- Weight: 2 lbs.

Features for steady-light models:

- (2) 7 watt incandescent lamps
- Independent wiring for electrical hook-up

- Notes:**
1. MAX Strobes are not designed to operate on a synchronized NAC Circuit.
 2. MAX Strobes are not intended for use in wash down areas.
 3. Please read these specifications and associated installation instructions before using, specifying, or installing this product. Visit Eaton.com/massnotification for current installation instructions.



Powering Business Worldwide

Drawings

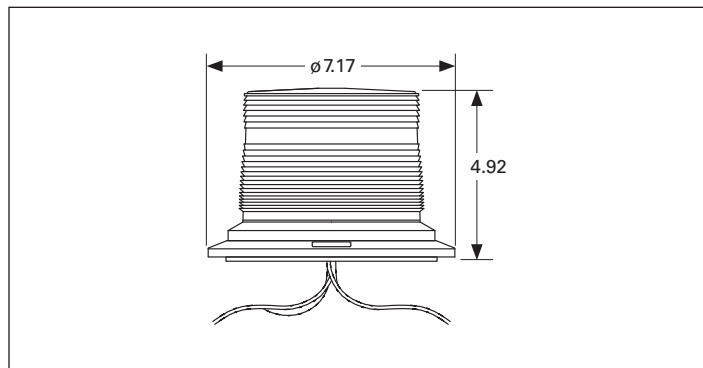


Figure 1. MAX strobe side view

Architects and engineers specifications

- Industrial strobes shall be Wheelock MAX strobes: AC-MAX, AC-MAXS, DC-MAX, DC-MAXS
- Wheelock MAX strobes AC-MAX, AC-MAXS, DC-MAX, DC-MAXS shall be UL Standard 1638 Listed
- MAX AC shall have a rated operating voltage of 120 VAC
- MAX DC shall have a rated operating voltage range of 10.5–31.0 VDC
- MAX AC and DC shall have a strobe with flash energy of 7.5 joules and flash rate of 60 double flashes per minute
- MAX MAXS AC and DC shall have the addition of two 7 watt incandescent lamps for steady light applications
- Steady-light lamps shall be 7C7 type for MAX AC-MAXS models and 2470X type for MAX DC-MAXS models
- Lens colors (amber, blue, clear and red) shall conform to SAE J578D specifications
- Base and lens shall be constructed of high-strength, high-temperature G.E. Lexan®
- Operating temperature range for all models shall be –31°F to +151°F (–35°C to +66°C)
- Dimensions shall be 5” in height, 6.2” in diameter
- Weight shall be 2 lbs

Table 1. AC-MAX and AC-MAXS

Color	Effective Candela (cd)	Current Draw
Amber	80cd	0.20 @ 120 VAC
Blue	12cd	
Clear	100cd	
Red	20cd	
Steady Light Lamps		120 mA

Table 2. DC-MAX and DC-MAXS

Color	Effective Candela (cd)	Current Draw
Amber	80cd	1227 mA @10.5 VDC
Blue	12cd	1010 mA @12 VDC
Clear	100cd	470 mA @ 24 VDC
Red	20cd	344 mA @ 31 VDC
Steady Light Lamps		655 mA
	DC Inrush	5A Max @ 12 V 10A Max @ 24 V 12A Max @ 31 V

Table 3. Specifications and ordering information

Model Number	Order Code	Lens Color	Voltage	Effective Candela (cd)
Double flash				
AC-MAX-A	8120	Amber	120 VAC	80
AC-MAX-B	8121	Blue	120 VAC	12
AC-MAX-C	8122	Clear	120 VAC	100
AC-MAX-R	8124	Red	120 VAC	20
10.5–31.0 VDC Double flash				
DC-MAX-A	8130	Amber	10.5–31.0 VDC	80
DC-MAX-B	8131	Blue	10.5–31.0 VDC	12
DC-MAX-C	8132	Clear	10.5–31.0 VDC	100
DC-MAX-R	8134	Red	10.5–31.0 VDC	20
Double flash w/ two 7 watt lamps				
DC-MAXS-A	8135	Amber	10.5–31.0 VDC	80
DC-MAXS-B	8136	Blue	10.5–31.0 VDC	12
DC-MAXS-C	8137	Clear	10.5–31.0 VDC	100
DC-MAXS-R	8139	Red	10.5–31.0 VDC	20

Note: Due to continuous development of our products, specifications and offerings are subject to change without notice in accordance with Cooper Wheelock, Inc., dba Eaton, standard terms and conditions.



WE ENCOURAGE AND SUPPORT NICET CERTIFICATION
3-YEAR WARRANTY

Eaton
1000 Eaton Boulevard
Cleveland, OH 44122
United States
Eaton.com

Eaton
Life safety & mass notification solutions
273 Branchport Ave.
Long Branch, NJ 07740
www.eaton.com/massnotification

© 2016 Eaton
All Rights Reserved
Printed in USA
Publication No. TD450098EN
November 2016



Eaton is a registered trademark.

All other trademarks are property of their respective owners.