

# Colored lens strobe appliances



## Description

Wheelock colored lens strobe notification appliances—strobes, horn strobes<sup>①</sup>, speaker strobes, and multi-tone strobes—are built with the same high quality circuits and parts used in the Wheelock life safety strobes and speakers. These are available with clear, amber or blue lenses, with other colors available through special order. The colored lens strobe products are listed under UL Standard 1638 for general signaling and the amber lenses have been tested to meet UL 1971 light distribution. These appliances are suitable for indoor applications, with specific models available for outdoor and weatherproof applications. The indoor models can be wall or ceiling mounted (model dependent) to standard electrical boxes or to Wheelock’s surface mount boxes. The outdoor models can be wall mounted to standard electrical boxes using the WFP adapter or to Wheelock’s surface mount boxes. The RSS models have an integrated strobe mounting plate that can be mounted to standard electrical boxes or to Wheelock’s surface mount boxes.

Audible strobe appliances can be field set to provide either High (HI) dBA, Medium (MED) dBA or Low (LO) dBA sound output. Speaker strobes have field-selectable input voltage of 25/70 VRMS and field selectable taps of 1/8, 1/4, 1/2, 1 and 2 watts. The E70-24MCC and E90-24MCC multi-candela provides four selectable light output intensities in one unit and incorporates a speaker mounting plate attached to the speaker for ease of installation. Weatherproof speaker strobes have field-selectable taps of 1/8, 1/4, 1/2, 1, 2, 4, and 8 watts.

All inputs are compatible with standard supervision of circuit wiring by an FACP and provide a synchronized strobe appliance when used in conjunction with Dual Sync Module (DSM) or Wheelock power supplies with patented sync protocol.

Other Wheelock signaling products can be provided with colored lens strobes; contact Customer Service for availability.

Model type	Intensity options
Colored lens	Multi-candela models with four field selectable settings: 15/30/75/95cd
Amber lens	Multi-candela models with four field selectable settings: 11/22/56/82cd
High ceiling mount	Field selectable for 115 or 177 cd

## Applications

The Wheelock colored lens strobe products are designed for effective alerting of employees or personnel in industrial, military or government applications. They are ideal for complying with the UFC (United Facilities Criteria) for mass notification systems and for emergency, warning or trouble notification in many industrial operations.

<sup>①</sup> Horn strobes incorporate a temporal pattern (specified by ANSI/NFPA for standard emergency evacuation signaling.) The temporal pattern should be used only for fire evacuation signaling and not for any other purpose.



Powering Business Worldwide

### Features & benefits

- Amber lenses have been tested to meet UL 1971 light distribution
- Choice of strobe lens colors—amber, blue, green, red (some models are by special order)
- Field-selectable candela settings of 15/30/75/95cd or high intensity models with 115/177cd settings
- Indoor 24VDC models with UL “Regulated Voltage” at 16–33 VDC using filtered DC or unfiltered FWR input voltage
- Multitone appliance
- Weatherproof models
- Compatibility with reverse polarity supervision circuits
- Strobes can be synchronized with Wheelock’s DSM sync module or power supplies
- Combination speaker/strobes available for voice messages with visual alerting
- Mount to standard electrical boxes
- High quality designs from the leader in fire notification alarms

**Note:** Please read these specifications and associated installation instructions before using, specifying, or installing this product. Visit [Eaton.com/massnotification](http://Eaton.com/massnotification) for current installation instructions.

### General notes

- Strobes are designed to flash at 1 flash per second minimum over the Regulated Voltage Range
- Products are listed for indoor use with a temperature range of 32°F to 120°F (0°C to 49°C) and maximum humidity of 93% (± 2%)
- Weatherproof products are listed for use with a temperature range of –31°F to 150°F (–35°C to 66°C) and maximum humidity of 95% RH
- For details using the DSM sync module, refer to Data Sheet TD450081EN or Installation Instructions P83177
- For wiring information on the power supply, refer to Installation Instructions P84905 for PS-8-LP

### Drawings

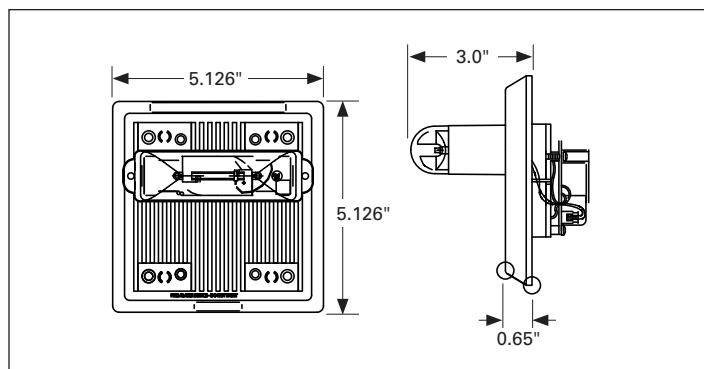


Figure 1. MTWP front and side views

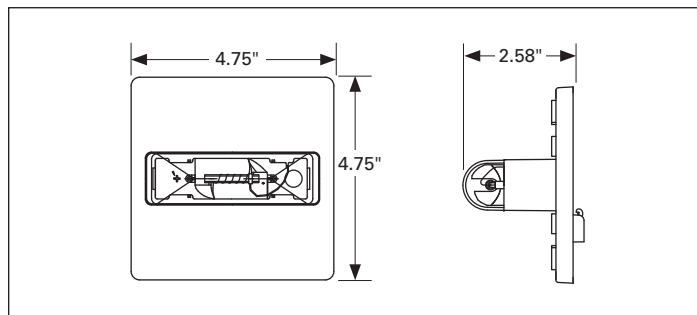


Figure 2. RSS front and side views

### Mounting options

Table 1. Indoor mounting options

Series	Flush Mount	Surface Mount
RSS	4" x 1-1/2", 1-gang or 2-gang box	SHBB
AS	4" x 1-1/2", 1-gang or 2-gang box	SHBB
MT	4" x 1-1/2", 2-gang box	IOB
E50/E60	4" x 2-1/8" (with extension ring)	E50SB, E50SSB
E70	4" x 2 1/8" (with extension ring)	SBB, SBB-W
E90	4" x 2 1/8" (with extension ring)	SBB, SBB-W
RSSP	4" x 1-1/2", 4" x 2 1/8"	SBL-2

Table 2. Weatherproof appliance mounting options

Series	Surface Mount		Flush Mount
	Exposed Conduit	Concealed Conduit	
MT	IOB	IOB + WP-KIT	WFP
ET70WP	IOB	IOB + WP-KIT	WFP
MTWP	IOB	IOB + WP-KIT	WFP
RSSWP	WPSBB	WPSBB + WP-KIT	WFP

Table 3. MT-24 Sound output

	HI/LO Volume	MT-24 VDC dBA Sound Output Anechoic Ratings at 10 feet		
		20V	24V	31V
Horn	HI	97	99	100
	STD	91	93	94
Bell	HI	90	92	93
	STD	85	87	88
March Time	HI	97	99	100
	STD	91	93	94
Code 3 Horn	HI	97	99	100
	STD	91	93	94
Code 3 Tone	HI	93	95	96
	STD	88	90	91
Slow Whoop	HI	97	99	100
	STD	92	94	95
Siren	HI	96	98	99
	STD	91	93	94
Hi/Lo	HI	91	93	94
	STD	86	88	89

**Table 4. ASX-24MCC Sound output**

	Volume	ASX-24MCC dBA Sound Output Anechoic Ratings at 10 feet		
		16.0VDC	24.0VDC	33.0VDC
Continuous	Low	86	90	92
	Medium	91	95	98
	High	95	99	101
Code 3	Low	86	90	92
	Medium	91	95	98
	High	95	99	101

**Table 5. UL max current ratings (maximum RMS current draw)**

Model	Voltage	15cd	30cd	75cd	95cd	110cd	1575cd	115cd	177cd	135cd	185cd
RSSX-24MCC E70X-24MCC E90X-24MCC	16–33VDC	0.065	0.105	0.189	0.249	–	–	–	–	–	–
ASX-24MCC	16–33VDC	High = 0.095	High = 0.138	High = 0.221	High = 0.285	–	–	–	–	–	–
		Med = 0.080	Med = 0.122	Med = 0.201	Med = 0.269	–	–	–	–	–	–
		Low = 0.074	Low = 0.113	Low = 0.198	Low = 0.263	–	–	–	–	–	–
RSSPX-24MCC	16–33VDC	0.065	0.105	0.189	0.249	–	–	–	–	–	–
RSSWPX-2475W MTWPX-2475W	16–33VDC	–	–	0.138	–	–	–	–	–	–	–
RSSWPX-24MCCH MTWPX-24MCCH	16–33VDC	–	–	–	–	–	–	0.300	0.420	–	–
RSSX-24MCW E50X-24MCW E70X-24MCW ET70X-24MCW	16–33VDC	0.060	0.092	0.165	–	0.220	–	–	–	–	–
ET70X-24MCWH	16–33VDC	–	–	–	–	–	–	–	–	0.300	0.420
MTA-121575W <sup>Ⓢ</sup>	8.0–17.5	–	–	–	–	–	0.255	–	–	–	–

<sup>Ⓢ</sup> 15 Candela models provide 15cd per UL 1971 and 75cd on axis per UL 1638.

**Table 6. Sound output for E50, E70, E90, ET70, ET90**

Model	Voltage (VRMS)	Reverberant dBA at 10 ft. per UL 1480 (Rated Watts)						
		1/8W	1/4W	1/2W	1W	2W	4W	8W
E50X-24MCC	25/70	77	79.5	82.5	85	88	–	–
E70X-24MCC	25/70	75	78	81	84	87	–	–
E90X-24MCC	25/70	75	78	81	84	87	–	–
ET70WPA-2475	25/70	77	80	83	86	88	91	93
ET70	25/70	77	80	83	86	88	91	93
ET90	25/70	77	80	83	86	88	91	93

Table 7. Specification and ordering information<sup>①</sup>

Model Number	Order Code	Lens Color	Base Color <sup>②</sup>	Lettering Color <sup>③</sup>	Strobe Candela <sup>④</sup>	Mounting	Indoor or Weatherproof	Agency Approval
RSSWPR-24MCCH-NW	CN106161	Red	White	—	115/177 <sup>⑥</sup>	Ceiling/Wall	Weatherproof	UL
RSSWPR-2475W-NR	CN125215	Red	Red	—	30 <sup>⑤</sup>	Wall	Weatherproof	UL
RSSWPB-24MCCH-NW	CN106159	Blue	White	—	115/177 <sup>⑥</sup>	Ceiling/Wall	Weatherproof	UL
RSSWPA-24MCCH-NW	CN106158	Amber	White	—	115/177 <sup>⑥</sup>	Ceiling/Wall	Weatherproof	UL
RSSWPA-2475W-NW	CN120240	Amber	White	—	30 <sup>⑤</sup>	Ceiling/Wall	Weatherproof	UL
RSSWPA-2475W-ALW	CN125214	Amber	White	Red	56	Wall	Weatherproof	UL, FM
RSSWPA-2475C-ALW	CN124800	Amber	White	Red	56	Ceiling	Weatherproof	UL, FM
RSSR-24MCC-NW	CN125917	Red	White	—	15/30/75/95	Ceiling/Wall	Indoor	UL
RSSPA-24MCW-ALW	CN106093	Amber	White	Red	15/30/75/110	Wall	Indoor	UL, FM
RSSPA-24MCC-NW	CN103308	Amber	White	—	15/30/75/95	Ceiling/Wall	Indoor	UL
RSSG-24110W-NW	CN120099	Green	White	—	110	Ceiling/Wall	Indoor	UL
RSSB-24MCW-NW	CN122401	Blue	White	—	15/30/75/110	Ceiling/Wall	Indoor	UL
RSSB-24MCC-NW	CN120203	Blue	White	—	15/30/75/95	Ceiling/Wall	Indoor	UL
RSSB-24MCCH-NW	CN106154	Blue	White	—	115/177	Ceiling/Wall	Indoor	UL
RSSB-24110W-NW	CN120100	Blue	White	—	15/30/75/110	Ceiling/Wall	Indoor	UL
RSSA-24MCW-NW	CN124829	Amber	White	—	15/30/75/110	Ceiling/Wall	Indoor	UL
RSSA-24MCW-ALW	CN124019	Amber	White	Black	15/30/75/110	Wall	Indoor	UL, FM
RSSA-24MCW-ALW	CN102971	Amber	White	Red	15/30/75/110	Wall	Indoor	UL
RSSA-24MCC-NW	CN120202	Amber	White	—	15/30/75/95	Ceiling/Wall	Indoor	UL
RSSA-24MCC-ALW	CN128013	Amber	White	Red	15/30/75/95	Ceiling	Indoor	UL
MTWPR-24MCCH-NW	CN106174	Red	White	—	115/177 <sup>⑥</sup>	Ceiling/Wall	Weatherproof	UL
MTWPB-24MCCH-NW	CN106172	Blue	White	—	115/177 <sup>⑥</sup>	Ceiling/Wall	Weatherproof	UL
MTWPB-2475W-NW	CN121652	Blue	White	—	30 <sup>⑤</sup>	Ceiling/Wall	Weatherproof	UL
MTWPA-2475W-NW	CN121649	Amber	White	—	30 <sup>⑤</sup>	Ceiling/Wall	Weatherproof	UL
MTB-24MCW-NW	CN124731	Blue	White	—	15/30/75/110	Ceiling/Wall	Indoor	NA
MTB-24MCCH-NW	CN106168	Blue	White	—	115/177	Ceiling/Wall	Indoor	NA
MTA-24MCCH-NW	CN106167	Amber	White	—	115/177	Ceiling/Wall	Indoor	NA
ET70WPA-2475W-ALW	CN110275	Amber	White	Red	56	Ceiling	Weatherproof	UL, FM
E90B-24MCC-NW	CN110214	Blue	White	—	15/30/75/95	Wall	Indoor	UL
E90A-24MCC-ALW	CN115900	Amber	White	Black	15/30/75/95	Ceiling	Indoor	UL, FM
E70A-24MCW-ALW	CN117203	Amber	White	Red	15/30/75/110	Wall	Indoor	UL, FM
E60A-24MCC-ALW	CN112967	Amber	White	Red	15/30/75/95	Ceiling	Indoor	UL
E50A-24MCW-ALW	CN113782	Amber	White	Red	15/30/75/95	Wall	Indoor	UL
ASB-24MCC-NW	CN106164	Blue	White	—	15/30/75/95	Ceiling/Wall	Indoor	UL
ASA-24MCC-NW	CN106162	Amber	White	—	15/30/75/95	Ceiling/Wall	Indoor	UL

① The list of model numbers in not all inclusive. If you are interested in a specific model number that is not listed, please contact customer service.

② Models available with red base; may be subject to minimum quantity order.

③ Models available with no lettering; may be subject to minimum quantity order.

④ Candela ratings in the above table are per UL 1971 and are based on clear lenses. Models with 15/30/75/95 have 4 field-selectable candela settings, and models with 115/177 have 2 field-selectable candela settings. Intensity ratings are for clear lens—derate approximately 25% for amber, 55% for green, 70% for blue lenses, and 80% for red lenses.

⑤ 30 Candela weatherproof models provide 30cd per UL 1971, 75 candela on axis at -31°F and 185 candela on axis at 77°F per UL 1638.

⑥ 115/177 candela weatherproof models provide 115/177cd per UL 1971 and 50/75cd at -31°F per UL 1638 (with UL 1971 light dispersion).

## Architects and engineers specifications

The audible/visual notification appliances shall be Wheelock colored lens strobe products or approved equals. These appliances shall be listed under UL Standard 1638. The amber lens shall be tested to meet UL 1971 light distribution.

The strobe appliances shall produce a minimum flash rate of 60 flashes per minute (1 flash per second) over the Regulated Voltage Range of 16 to 33 VDC and shall incorporate a Xenon flash tube enclosed in a rugged lexan lens. Strobe intensity shall be 75 candela minimum or shall be field selectable for 4 intensity levels. The strobes shall operate over an extended temperature range of 32°F to 120°F (0°C to 49°C) and shall be listed for maximum humidity of 93%RH. Weatherproof strobe appliances shall operate over an extended temperature range of -31°F to +150°F (-35°C to +66°C) and maximum humidity of 95% RH.

Horn strobes shall be able to produce a continuous output or a temporal code-3 output that can be synchronized. The horns shall have 3 sound level settings of 90, 95, and 99 dBA

Speaker strobes shall be able to have field selectable input voltage of 25/70 VRMS and field-selectable taps of 1/8, 1/4, 1/2, 1 and 2 watts. Weatherproof speakers shall have field-selectable taps of 1/8, 1/4, 1/2, 1, 2, 4, and 8 watts.

Speaker strobes shall be capable of supervision through industry standard technique of reverse polarity voltage to ensure wiring integrity of the circuits.

When synchronization of strobes or temporal Code 3 audibles is required, the appliances shall be compatible with Wheelock DSM sync module or the Wheelock PS-8 power supplies with built-in patented sync protocol. The strobes shall not drift out of synchronization at any time during operation. Audibles and strobes shall be able to be synchronized on a 2-wire circuit with the capability to silence the audible if required. If the sync module or power supply fails to operate (i.e., contacts remain closed), the strobes shall revert to a non-synchronized flash rate.



WE ENCOURAGE AND SUPPORT NICET CERTIFICATION  
3-YEAR WARRANTY

**Note:** Due to continuous development of our products, specifications and offerings are subject to change without notice in accordance with Cooper Wheelock, Inc. dba Eaton standard terms and conditions.

**Eaton**  
1000 Eaton Boulevard  
Cleveland, OH 44122  
United States  
Eaton.com

**Eaton**  
Life safety & mass notification solutions  
273 Branchport Ave.  
Long Branch, NJ 07740  
[www.eaton.com/massnotification](http://www.eaton.com/massnotification)

© 2016 Eaton  
All Rights Reserved  
Printed in USA  
Publication No. TD450087EN  
October 2016