

# Wheelock AMT Multitone Horns and Horn Strobes



## Description

The Wheelock AMT multitone horns and horn strobes provide the industry with a UL Standard 1971 and UL Standard 464 combination audible/visual device that simplifies installation and offers three (3) distinct prioritized audible signals from three isolated inputs. Priority (1) will override all other commands upon activation.

The AMT offers a choice of eight (8) self-prioritized sound combinations for suppression releasing systems, combination security and emergency evacuation systems and high risk installations as well as many other applications.

The AMT Strobes are designed for ADA applications while meeting or exceeding the latest requirements of NFPA 72 (the National Fire Alarm Code), ANSI 117.1 (the American National Standard For Accessible and Usable Buildings and Facilities) and UL Standard 1971 (Standard for Signaling Devices for the Hearing Impaired).

Each AMT Audible and AMT Strobe appliance has two user selective sound output levels: STANDARD dBA and HIGH dBA. The AMT Audible provides 12VDC or 24VDC operation, filtered or FWR. The AMT Strobe Electronic Appliances operate at 24VDC and may be used with filtered or unfiltered (full-wave-rectified) input voltages. Separate supervised sets of input terminals are available for each prioritized input. Jumper plugs are provided to enable both tone and strobe to operate simultaneously for all inputs.

The AMT multitone strobe appliances are UL Listed for indoor use, wall mount, under Standard 1971 for Signaling Devices for the Hearing Impaired and Standard 464 for Audible Signal Appliances, and use a Xenon flashtube with solid state circuitry enclosed in a rugged Lexan® lens to provide maximum reliability for effective visible signaling.

All models may be synchronized using the Wheelock DSM Sync Modules, Wheelock Power Supplies or other manufacturers panels incorporating the Wheelock Patented Sync Protocol.



Powering Business Worldwide

## Features

- Approvals include: UL Standard 1971 and UL Standard 464, FCC, ULC, Factory Mutual (FM), California State Fire Marshal (CSFM), See approvals by model in Specifications and Ordering Information
- Compliance with RFI limits in FCC Part 15, Class B for compatibility with sensitive detection and communication circuits
- Designed to meet or exceed NFPA/ANSI Standards and ADA Accessibility Guidelines. Meets OSHA 29 Parts 1910.165
- Three separate prioritized inputs that will activate three isolated signals
- All inputs are supervised
- Code-3 Horn and Tone meet ANSI/NFPA/ISO temporal pattern
- Two power taps for high dBA and standard dBA @ 10 feet
- Low current draw to reduce power consumption and wiring costs
- AMT Strobe models are available with Wheelock patented MCW Multi-Candela strobes with field selectable candela settings at 15/30/75/110cd
- AMT with strobe can be wired to flash independently or in unison with all audible signals
- Strobes synchronize using the Wheelock Sync Modules or panels with built-in Wheelock Patented Sync Protocol
- Selectable input voltage (12 or 24 VDC) horn, non-strobe applications
- Polarized inputs for compatibility with standard reverse polarity type supervision of circuit wiring by an alarm panel
- Low cost installation via standard electrical boxes. Attractive flush or surface mounting options
- No additional trimplate required for flush mounting. Fast installation with In/Out screw terminals using #12 to #18 AWG

**Note:** Please read these specifications and associated installation instructions, before using, specifying, or installing this product. Visit [Eaton.com/massnotification](http://Eaton.com/massnotification) for current installation instructions.

## General Notes

- Strobes are designed to flash at 1 flash per second minimum over their "Regulated Voltage Range." Note that NFPA-72 specifies a flash rate of 1 to 2 flashes per second.
- All candela ratings represent minimum effective Strobe intensity based on UL 1971

## Drawing

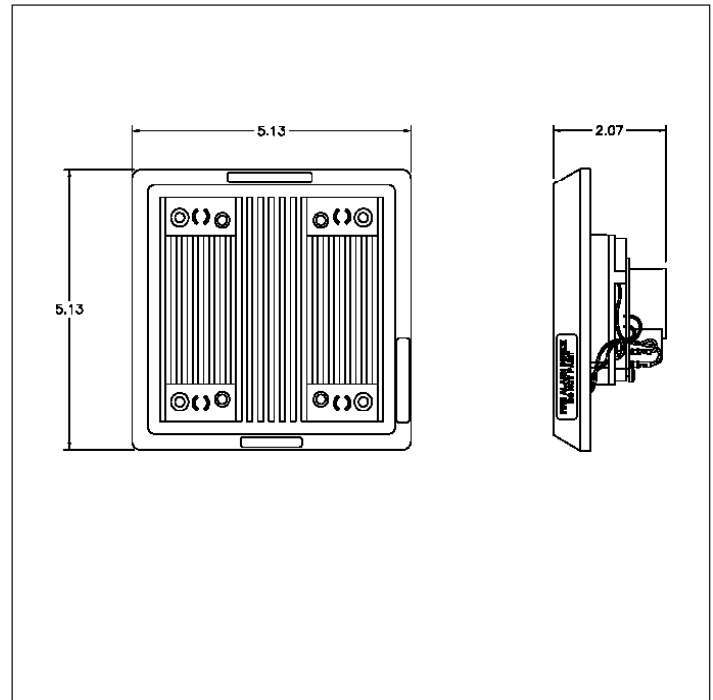


Figure 1. AMT Horn

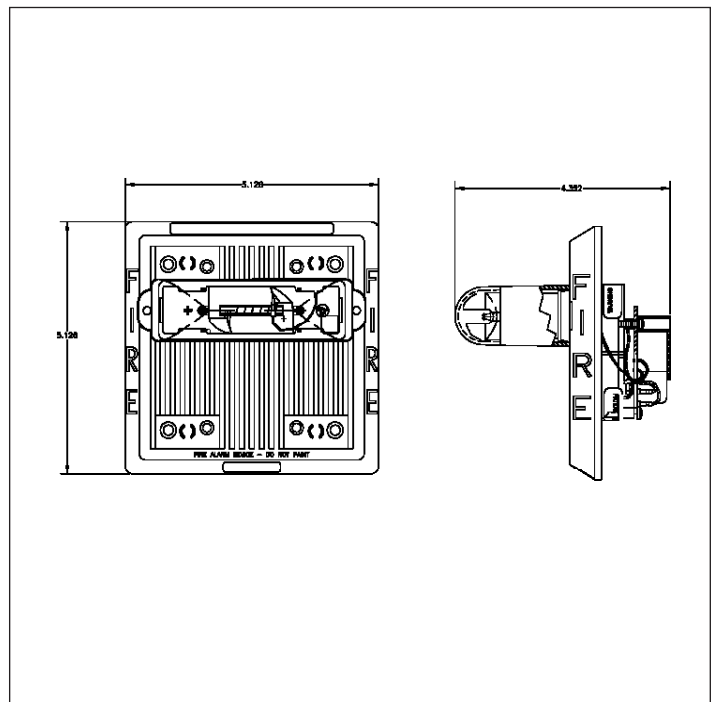


Figure 2. AMT Horn Strobe

**Table 1. Maximum RMS Current for Strobe**

Model	Regulated Voltage Range VDC	UL Max Current ①			
		24MCW			
		15cd	30cd	75cd	110cd
AMT-24MCW	16.0-33.0	0.060	0.092	0.165	0.220

**Table 2. Maximum RMS Current Ratings, Multitone Audible Portion**

Tone	24 VDC	24 VDC	12 VDC	12 VDC
	HI Output	STD Output	HI Output	STD Output
Horn	0.108	0.043	0.210	0.058
Bell	0.057	0.026	0.117	0.031
March Time Horn	0.108	0.035	0.210	0.059
Code - 3 Horn	0.108	0.043	0.210	0.057
Code- 3 Tone	0.060	0.030	0.168	0.052
Slow Whoop	0.112	0.044	0.182	0.056
Siren	0.102	0.038	0.177	0.055
HI/LO	0.064	0.030	0.131	0.028
Vibrating Chime	0.041	0.020	0.090	0.028

**Table 3. Specification and Ordering Information**

Model	Order #	Input Voltage	Candela	Mounting Options	Agency Approvals			
					UL	ULC	CSFM	FM
AMT-12/24-R	5887	12/24		D,E,F,L,M,O,P,R	X	X	X	X
AMT-12/24-W	5893	12/24		D,E,F,L,M,O,P,R	X	X	X	X
AMT-24MCW-FR	3300	24	15/30/75/110	D,E,F,L,M,O,P,R	X	X	X	X
AMT-24MCW-FW	3302	24	15/30/75/110	D,E,F,L,M,O,P,R	X	X	X	X

**Table 4. dBA Ratings for AMT Multitone Signals**

Tone	Tone Description	dBA @ 10 ft (Reverberant)		dBA @ 10 ft (Anechoic)	
		HI Output	STD Output	HI Output	STD Output
Horn	Broadband Horn (continuous)	92	86	98	92
Bell	1500 Hz Modulated (0.07 Sec. On/Repeat)	84	78	91	86
March Time Horn	Horn (0.25 Sec. On/0.25 Sec. Off/Repeat)	88	82	98	92
Code-3 Horn	Horn (ANSI S3.41 Temporal Pattern)	88	81	98	92
Code-3 Tone	500 Hz (ANSI S3.41 Temporal Pattern)	84	78	94	89
Slow Whoop	500-1200 Hz Sweep (4.0 Sec. On/0.5 Sec Off/Repeat)	88	83	98	93
Siren	600-1200 Hz (1.0 Sec. On/Repeat)	89	83	97	92
HI/LO	1000/800 Hz (0;25 Sec. On/Alternate)	86	81	92	87
Vibrating Chime	700 Hz (1.0 Sec. Decay, Repeat)	78	71	88	82

① RMS current ratings are per UL maximum RMS method. UL max current rating is the maximum RMS current within the listed voltage range (16-33v for 24v units). For strobes the UL max current is usually at the minimum listed voltage (16v for 24v units). For audibles the max current is usually at the maximum listed voltage (33v for 24v units). For unfiltered FWR ratings, see installation instructions.

## Architects and Engineers Specifications

When notification appliances are required for applications with more than one function, an appliance with multiple inputs and capable of being programmed shall be used. The notification appliance shall be capable of accepting three (3) individual DC signals and providing three (3) distinct audible signals. In the event the signals are simultaneous, the priority shall be as follows. Highest priority = PR1, Second priority = PR2 and the Third priority = PR3. With the addition of the Strobe, the appliance shall operate with an independent input DC voltage to the strobe terminals. When it is desired to operate the strobe with all of the audible signals, a set of jumpers shall be provided.

The notification appliance shall be a Wheelock AMT audible/visual appliance or equivalent. Notification appliance shall be electronic and use solid state components. Electromechanical alternatives are not approved. Tone selection shall be by dip switch assembly. The audible and the strobe shall be able to operate from a single NAC circuit while producing any of these tones. The appliances shall provide two output sound levels: STANDARD and HIGH dBA. The HIGH anechoic dBA measurement at 10 feet at the alarm HORN SETTING shall be 98 dBA for AMT and 98 dBA for AMT Strobes, at nominal voltage. Operating voltages shall be either 12VDC (Audible only) or 24VDC using filtered power or unfiltered power supply (full-wave-rectified). All models shall have provisions for standard reverse polarity type supervision and IN/OUT field wiring using terminals that accept #12 to #18 AWG wiring. When strobe synchronization is required, the strobe appliance shall be compatible with

Wheelock's DSM Sync Modules, Wheelock Power Supplies or other manufacturers panels with built-in Wheelock Patented Protocol.

Combination audible/visual appliances shall incorporate a Xenon flashtube enclosed in a rugged Lexan (R) lens or equivalent with solid state circuitry. Strobe shall meet UL 1971 and produce a flash rate of one (1) flash per second minimum over the Listed input voltage (16VDC-33VDC) range. The AMT-24MCW shall be specified when field selectable 15/30/75/110 candela ratings are required.

All UL Standard 1971 Listed strobe appliances shall be verified to meet FCC Part 15, Class B. Strobe activation shall be via independent input or from the same input circuit as the audible.

The combination audible/visual appliances may be installed indoors and surface or flush mounted. They shall mount to standard electrical hardware requiring no additional trimplate or adapter. The aesthetic appearance shall not have any mounting holes or screw heads visible when the installation is completed. The appliance shall be finished in a textured red color.

The audible appliance may be installed indoor or outdoor with the proper backbox.

UL, ULC, CSFM, FM, FCC

**Note:** Due to continuous development of our products, specifications and offerings are subject to change without notice in accordance with Cooper Wheelock Inc., dba Eaton standard terms and conditions.



WE ENCOURAGE AND SUPPORT NICET CERTIFICATION

3 YEAR WARRANTY

Eaton  
1000 Eaton Boulevard  
Cleveland, OH 44122  
United States  
Eaton.com

Eaton  
Life safety & mass notification solutions  
273 Branchport Ave.  
Long Branch, NJ 07740  
www.eaton.com/massnotification

© 2019 Eaton  
All Rights Reserved  
Printed in USA  
Publication No. TD450153EN  
February 2019

Eaton is a registered trademark.

All other trademarks are property of their respective owners.