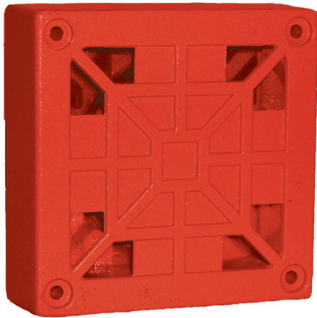


# 31T AC horns



## Description

The Wheelock 31T-115 VAC horns are high performance horns. These are ideal alarm signals for life safety applications where high sound output, low current draw and dependable operation are of critical concern.

The 31T AC horn offers rugged, vandal-resistant construction with die-case metal housings for the horn mechanism.

All models include screw terminal inputs for in/out field wiring.



*Powering Business Worldwide*

### Features & benefits

- Resonant grille design for high sound output with low current draw
- Each 31T is fully factory assembled to save installation time
- Screw terminal inputs for fast and secure in/out field wiring
- Indoor or outdoor mounting options for semi-flush or surface mounting
- Attractive red textured finish enhances appearance and durability
- Vandal resistant

**Note:** All CAUTIONS and WARNINGS are identified by the symbol ▲. All warnings are printed in bold capital letters.

### ▲ WARNING

**PLEASE READ THESE SPECIFICATIONS AND ASSOCIATED INSTALLATION INSTRUCTIONS CAREFULLY BEFORE USING, SPECIFYING OR APPLYING THIS PRODUCT. FAILURE TO COMPLY WITH ANY OF THESE INSTRUCTIONS, CAUTIONS OR WARNINGS COULD RESULT IN IMPROPER APPLICATION, INSTALLATION AND/OR OPERATION OF THESE PRODUCTS IN AN EMERGENCY SITUATION, WHICH COULD RESULT IN PROPERTY DAMAGE, AND SERIOUS INJURY OR DEATH TO YOU AND/OR OTHERS.**

### Approvals & compliances

- UL Standard 464
- California State Fire Marshal (CSFM)

### Drawings

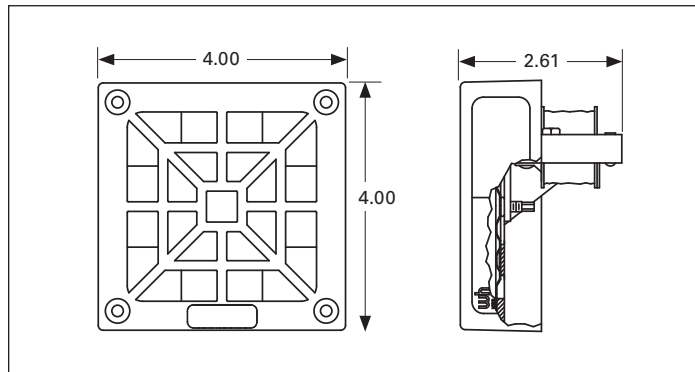


Figure 1. 31T front and side views

Table 1. Specifications and ordering information: MB models

Model Number	Order Code	Input Voltage	Rated Current	Rated dBA @ 10 ft.	Mounting Options
31T-115-R	2805	115 VAC	0.160	95	D,E,J,K,N,O,R
31T-115-S	0521	115 VAC	0.160	95	

**Notes:** 1. Typical dBA at 10 feet is measured in an anechoic chamber with nominal voltage.

**Notes:** 2. Refer to Data Sheet TD450028EN for mounting options.

### Architects and engineers specifications

The AC horns shall be Wheelock 31T-115, or approved equal. Models shall be UL 464 Listed for Fire Protective Service and shall include a die cast metal housing to protect the horn mechanism. Sound output shall be 95 dBA minimum at 10 feet. Mounting options shall include surface mounting in indoor or outdoor applications and semi-flush in indoor applications. All models shall have screw terminal inputs for in-out field wiring. The finish shall be textured enamel.

**Note:** Due to continuous development of our products, specifications and offerings are subject to change without notice in accordance with Cooper Wheelock, Inc., dba Eaton, standard terms and conditions.



WE ENCOURAGE AND SUPPORT NICET CERTIFICATION  
3-YEAR WARRANTY

**Eaton**  
1000 Eaton Boulevard  
Cleveland, OH 44122  
United States  
Eaton.com

**Eaton**  
Life safety & mass notification solutions  
273 Branchport Ave.  
Long Branch, NJ 07740  
www.eaton.com/massnotification

© 2016 Eaton  
All Rights Reserved  
Printed in USA  
Publication No. TD450075EN  
September 2016



Eaton is a registered trademark.

All other trademarks are property of their respective owners.