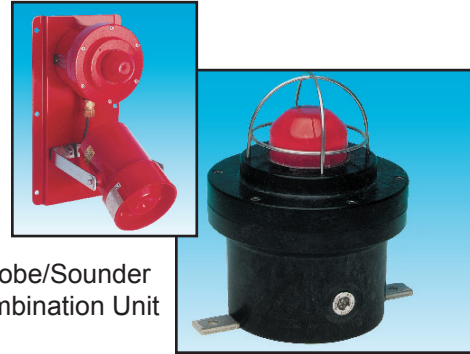


## Strobe - 29 Candela, Hazardous Location XB11



Strobe/Sounder  
Combination Unit

### Description:

These certified strobes have been designed for use in potentially explosive gas and dust atmospheres and harsh environmental conditions. The glass reinforced polyester enclosures are suitable for use offshore or onshore, where light weight combined with corrosion resistance is required.

The strobe housing is manufactured completely from a U.V. stable, glass reinforced polyester. Stainless steel screws and mounting bracket are incorporated ensuring a totally corrosion free product.

Units can be painted to customer specification and supplied with identification labels.

### Features\*:

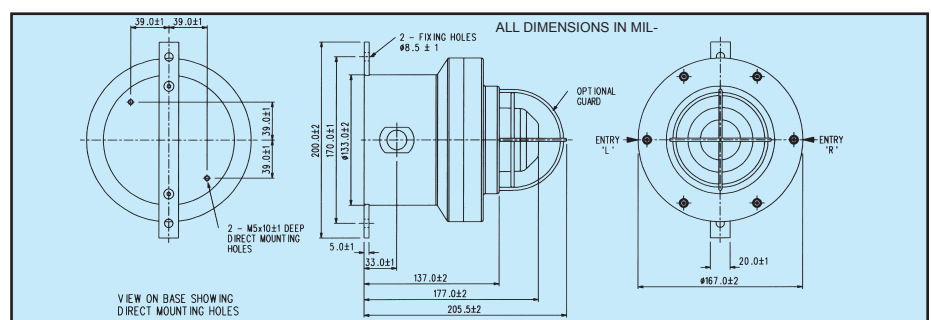
- UL Listed for USA and Canada
    - Hazardous locations:
      - Class I, Div 2, Groups C & D
      - Class I, Zones 1 & 2, AExd IIB T5
    - Ordinary locations: Visual-Signal Device
  - California State Fire Marshal (CSFM) Listed
  - ATEX approved
  - NEMA 4x & 6, IP66 and IP67
  - Certified temperature  $-67^{\circ}\text{F}$  to  $+158^{\circ}\text{F}$  ( $-55^{\circ}\text{C}$  to  $+70^{\circ}\text{C}$ )
  - Corrosion resistant GRP
  - Optional stainless steel backstrap
  - Various lens colors
  - Optional lens guard
  - 29 candela
  - 4 wire monitored connection
  - Available as a status light
  - Xenon
  - 24 VDC, 110 and 240 VAC
- \*Depending on version

### Architects and Engineers Specifications

Strobes for hazardous locations and harsh environments shall be UL and cUL listed for Class I, Division 2, Groups C&D, and Class I, Zones 1&2, AExd IIB T5 applications and shall be listed under UL Standard 1638 for Indoor/Outdoor use. The strobe appliances shall be constructed of lightweight, UV stable glass reinforced polyester, shall be corrosion resistant, and shall meet NEMA 4x, NEMA 6, IP 66 & IP 67 environmental requirements over a temperature range of  $-67^{\circ}\text{F}$  to  $158^{\circ}\text{F}$  ( $-55^{\circ}\text{C}$  to  $70^{\circ}\text{C}$ ).

The strobe shall be rated to flash at 1 Hz with 29 candela per flash. Rated current draw shall not exceed 320 mA at 24 vdc. The strobe shall be capable of direct surface mounting in any direction.

Note: Due to continuous development of our products, specifications and offerings are subject to change without notice in accordance with Cooper Wheelock standard terms and conditions.



# Specification

**Certification:** UL Listed for USA and Canada to:  
 – Hazardous locations:  
     Class I, Div 2 Groups C & D.  
     Class I, Zones 1 & 2 AExd IIB T5.  
 UL Listing No: E187894.  
 – Ordinary locations: Visual-Signal Device.  
 California State Fire Marshal (CSFM) Listed  
 UL listing No. S8128.  
 ATEX approved: EExd IIB T5/T6  
 Cert. No. 99 ATEX 2195X  
 GENELEC EN50014 and EN50018

**Material:** Body: – Glass reinforced polyester (GRP).  
 Lens: – Glass.  
 Cover Screws + Backstrap: – Stainless steel 316.

**Finish:** Natural black or painted to customer specification.

**Weight:** 5.5 lb./2.5Kg.

**Certified Temperature:** –67°F to +158°F (–55°C to +70°C) hazardous locations  
 –67°F to +131°F (–55°C to +55°C) ordinary locations

**Ingress Protection:** NEMA 4x & 6, IP66 & IP67.

**Terminals:** 6 x 14AWG

**Labels:** Duty/Tag Label optional.

**Entries:** 2 x 1/2" NPT

**Strobe/Sounder Unit:** The strobe may be combined with a sounder to create a visual/audible alarm.

	DC	AC50/60 Hz	
Voltage	24	110	240
Tube Energy(Joules)	5	5	5
Peak Current Consumption (mA)	320	100	60
Effective Intensity (Cd)	29	29	29
Peak Intensity (Cd)	22213	22213	22213
Power Consumption Watts)	8	11	18

NOTE: The Cd figures are for a clear lens @ 1Hz flash rate.

### FOR COLORED LENSES

Color	Red	Blue	Amber	Green	Yellow
Multiplying Factor	0.15	0.12	0.51	0.49	0.86

The photometric data has been verified by BSI.  
 A report is available if required.

### Configuration Options:

The following code is designed to help in the selection of the correct unit. Build up the reference number by inserting the code for each component into the appropriate box.

Certification Voltage Flash Rate Lens Color Lens Guard Unit Fixing Earth Continuity Tag/Duty Label Other Options Unit Finish

XB11 [ ] [ ] [ ] [ ] [ ] [ ] [ ] [ ] [ ] [ ] [ ]

<b>Certification</b>	<b>Code</b>
UL	UL
UL (Ordinary location)	UW

<b>Voltage</b>	<b>Code</b>
24V d.c.	024
110V a.c.	110
240V a.c.	240

<b>Flash Rate</b>	<b>Code</b>
60/min	06
Other flash rates available, please specify.	

<b>Color</b>	<b>Code</b>
Red	R
Blue	B
Green	G
Amber	A
Yellow	Y
Clear	C

<b>Guard</b>	<b>Code</b>
None	N
Yes	Y

<b>Unit Fixing</b>	<b>Code</b>
Direct Mounting	D
Backstrap	B

<b>Continuity</b>	<b>Code</b>
None	N

<b>Label</b>	<b>Code</b>
None	N
Yes*	Y
*(Please specify)	

<b>Option</b>	<b>Code</b>
Blanking Plug	P
None	N

<b>Finish</b>	<b>Code</b>
Natural Black	N
Red	R
Blue	B
Yellow	Y
Grey	G
White	W
Special Finish*	S
*(Please specify)	

Note: When placing your order, please include Supervision Diode on products



WE ENCOURAGE AND SUPPORT NICET CERTIFICATION  
 1 YEAR WARRANTY

XB11 09/16



NJ Location  
 273 Branchport Ave.  
 Long Branch, NJ 07740  
 P: 800-631-2148  
 F: 732-222-8707  
 www.coopernotification.com

