

Strobe, 29 Candela, Explosion Proof SM87



Description:

These certified strobes have been designed for use in harsh environmental conditions. The marine grade alloy enclosures are suitable for use offshore or onshore, where light weight combined with corrosion resistance and strength is required. Units can be painted to customer specification and fitted with identification labels.

A high temperature unit is available.

Architects and Engineers Specifications

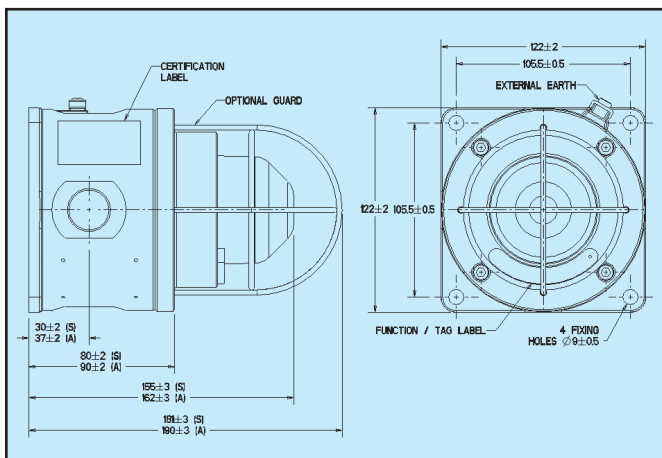
Explosion-proof strobes shall be UL and cUL Listed for Class I, Division 1, Groups C&D, and Class I, Zone 1 hazardous locations. The strobes shall be constructed of marine grade alloy with an epoxy paint finish and shall meet NEMA 4x, NEMA6, IP 66 and IP 67 environmental requirements over a temperature range of -67°F to 158°F (-55°C to 70°C) in hazardous and harsh environments.

The strobe shall be rated to flash at 1 Hz with 5 joules per flash. Rated current draw shall not exceed 320 mA at 24 vdc. The strobe shall be capable of direct surface mounting in any direction.

Note: Due to continuous development of our products, specifications and offerings are subject to change without notice in accordance with Cooper Wheelock standard terms and conditions.

Features*:

- **UL Listed for USA and Canada:**
 - Class I, Div. 1, Groups C & D
 - Class I, Zone 1 AExd IIB
 - **CSA Certified**
 - **CUL Listed**
 - **ATEX Approved**
 - **NEMA 4x & 6, IP66 and IP67**
 - **Certified temperature -67°F to +158°F (-55°C to +70°C)**
 - **High temperature unit (up to 185°F/85°C) available**
 - **Various lens colors**
 - **Optional lens guard**
 - **4 wire monitored connection**
 - **24 & 48 VDC**
 - **110, 120, 240 & 254 VAC**
 - **Xenon**
- *Depending on version



Specification

Voltage	DC		AC 50/60 Hz			
	24	48	110	120	240	254
SM87 HXB XBT Tube Energy (Joules)	5	5	6	7	7	8
Peak Current Consumption (mA)	320	170	250	275	135	150
Effective Intensity (Cd)	29	29	32	39	39	44
Peak Intensity	22213	22213	25061	30187	30187	34174
Power Consumption (Watts)	7.2	7.6	25	27	27	35

FOR COLORED LENSES

Color	Red	Blue	Amber	Green	Yellow
Multiplying Factor	0.15	0.12	0.51	0.49	0.86

Certification: UL Listed fro USA and Canada for Class I, Div I. Groups C & D and Class I, Zone 1. Listing No. E187894.
 CSA Certification to C22.2 Nos. 0, 0.4, 0.5, 9, 30-M 1986, 94-M91, 137-M 1981, Class 1, Div 1, Group 0, Enclosure 3/4, Cert. No. 96406
 ATEX approved: EN50014, EN50018, EN50019.
 Cert. No. Baseefa 03ATEX0222, EExd IIC T6

Weight: 4.4lb./2.0kg. approx.

Material: LM25 TF Marine Grade Alloy or grade 316 ANC4B stainless Steel; Finish: Epoxy paint as standard or to customer's specification; Lens - Toughened Glass

Certified

Temperature: Standard unit SM87 HXB: -67°F to +158°F (-55°C to +70°C).

High temperature unit: -67°F to +185°F (-55°C to +85°C)

Ingress

Protection: NEMA 4x & 6, IP66 & IP67

Terminals: 4 off suitable for up to 14AWG conductor size

Labels: Duty & Tag Labels optional

Entries: Up to 4 x 1/2" or 3/4" NPT

Configuration Options:

The following code is designed to help in the selection of the correct unit. Build up the reference number by inserting the code for each component into the appropriate box.

Model		Certification		Voltage		Lens/LEDcolor		Lens Guard		Entries		Tag/Duty Label		Other Options		Finish	
<input type="text"/>		<input type="text"/>		<input type="text"/>		<input type="text"/>		<input type="text"/>		<input type="text"/>		<input type="text"/>		<input type="text"/>		<input type="text"/>	
Type	Code	Certification	Code	Color	Code	Entries	Code	Option	Code	Guard	Code	Label	Code	Finish	Code		
Xenon (alloy)	SM87HXBA	UL	UL	Red	R	1/2" NPT	3	None	N	None	N	None	N	Red	R		
Xenon High Temp. (alloy)	SM87XBTA*	CSA	C	Blue	B	3/4" NPT	4	Yes*	Y	None	N	Yes*	Y	Blue	B		
Xenon (Stainless Steel)	SM87HXBS			Green	G	Top	*T	*(Please specify)		Yes	Y	*(Please specify)		Yellow	Y		
				Amber	A	Bottom	*B			Yes	Y			Yellow/Black Stripe	X		
				Yellow	Y	RHS	*R			Yes	Y			Grey	G		
				Clear	C	LHS	*L			Yes	Y			White	W		
						*prefix position with entry size code.				Yes	Y			Special Finish	*S		
						Guard	Code										
						None	N										
						Yes	Y										
				Voltage	Code												
				24V d.c.	024												
				48V d.c.	048												
				110V a.c.	110												
				120V a.c.	120												
				240V a.c.	240												
				254V a.c.	254												

*XBT only available 24V d.c.

*Please specify

Note: When placing your order, please include Supervision Diode on products.



WE ENCOURAGE AND SUPPORT NICET CERTIFICATION
 1 YEAR WARRANTY
 SM87 09/16



NJ Location
 273 Branchport Ave.
 Long Branch, NJ 07740
 P: 800-631-2148
 F: 732-222-8707
 www.coopernotification.com

