

## Series LEMD-M Emergency Message Display



### **Description:**

The LEMD Emergency Message Display is an LED illuminated text sign designed to comply with UFC requirements for mass notification systems. Where a text sign is required over the door of egress stairwells or other locations. It comes with two independently illuminated text messages: Announcement and Evacuate. The LEMD-M is UL Listed under Standard 48 and UFC Compliant 4-021-01.

### **Applications:**

- For use with Mass Notification systems needing an LED-type sign
- Egress notification
- Hearing impaired announcements

### **Features:**

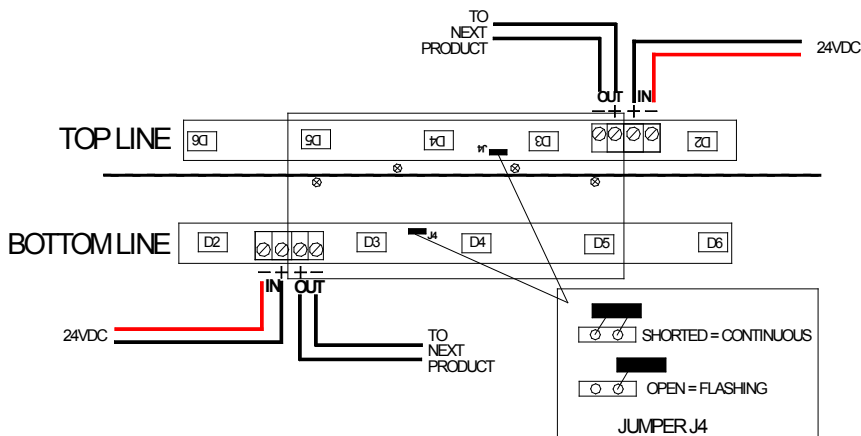
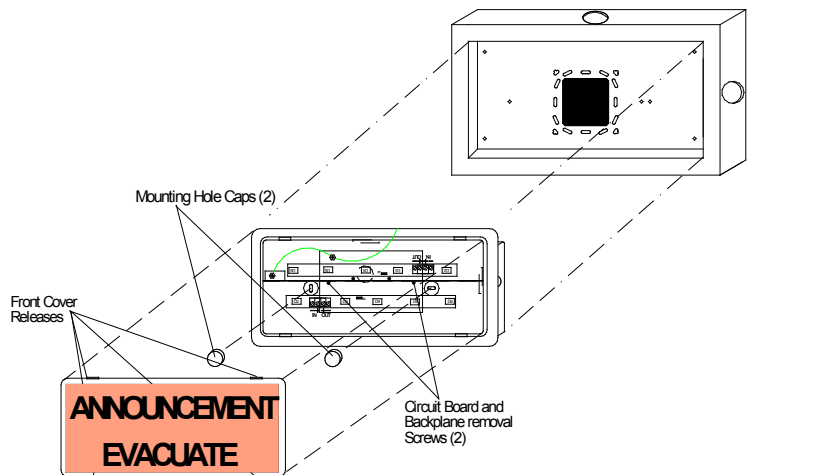
- UFC compliant
- Two messages can be activated; Announcement or Evacuate
- Messages can be activated independently
- Message can be either steady on or flashing, set independently
- 24 VDC
- Low current draw 70 mA per circuit
- Compatible with reverse polarity supervision circuits
- Meets IP-65 rating, sealed against dust and protected from water splashes and low pressure water jets.
- Accepts #14 to #22 AWG wires
- UL Listed under Standard 48 and UFC Compliant 4-021-01 (LEMD-M model)
- Dimensions: 8"H x 14 1/2 W" x 2" D

## ARCHITECTS AND ENGINEERS SPECIFICATIONS

The LED-type sign shall be Cooper Notification model LEMD-M or approved equal. The sign shall meet an IP-65 rating. It shall be capable of being supervised with a standard reverse polarity circuit and operate on 24 VDC. The sign shall have two messages, Announcement and Evacuate. Each message shall have the capability to either stay illuminated steady or flash upon activation. The sign dimensions shall be 8"H x 14 1/2 W" x 2" D.

## SPECIFICATION & ORDERING INFORMATION

| Model Number | Order Code | Description  | Dimensions             |
|--------------|------------|--|------------------------|
| LEMD-M       | 6334       | LED Emergency Message Display<br><ul style="list-style-type: none"> <li>UL Listed under Standard 48</li> <li>UFC Compliant 4-021-01</li> </ul> | 8"H x 14 1/2 W" x 2" D |



**NOTE:** Due to continuous development of our products, specifications and offerings are subject to change without notice in accordance with Wheelock Inc. standard terms and conditions.

WE ENCOURAGE AND SUPPORT NICET CERTIFICATION  
3 YEAR WARRANTY

V5000 LEMD-M 09/10

**NJ Location**  
273 Branchport Ave.  
Long Branch, NJ 07740  
P: 800-631-2148  
F: 732-222-8707  
www.coopernotification.com

**FL Location**  
7565 Commerce Ct.  
Sarasota, FL 34243  
P: 941-487-2300  
F: 941-487-2389

**VA Location**  
P: 877-459-7726  
F: 703-294-6560