

INSTALLATION INSTRUCTIONS
WHELLOCK EXCEDER LED3 2-WIRE FIELD SELECTABLE
STROBE APPLIANCE
(WALL MOUNT BLUE LENS)

Use this product according to this instruction manual. Please keep this instruction manual for future reference.

GENERAL

The Cooper Wheelock HE NAC LED Series LST3-B strobe appliances are designed for easy installation. All models are for 24V operation. LST3-B are for wall mount only.

WARNING: Please read these instructions carefully before using this product. Failure to comply with any of the following instructions, cautions and warnings could result in improper application, candela setting, installation and/or operation of these products in an emergency situation, which could result in property damage and serious injury or death to you and/or others.

The Wheelock Exceder LED3 Series meets NFPA 2016 20 millisecond light pulse duration code requirements. In addition, the Wheelock Exceder LED3 product line has been UL/ULC listed as compatible with all Fire Alarm Control Panels (FACP) and accessories that have been determined to be compatible with Wheelock model RSS Strobe based products including the RSS, CH, E, EH, ET,ST,HS,MT,S8, SA, STH and Z Series. The maximum number of LED3 devices per NAC is determined by dividing the maximum current rating of the FACP NAC divided by the total appropriate current rating for the selected candela output of the LED3 devices, with a maximum of 105 LED3 devices per NAC. Refer to FACP installation instructions for more detail. The Wheelock Exceder LED3 Series strobes may be installed in the same notification zone and field of view with any RSS Strobe based product.

Table 1: Specifications

| | |
|---------------------|--|
| Agency | LST3-B: UL1638* ULC-S526-16 |
| Environmental | Indoor Use Only. 0° C -49° C (32° F - 120° F) 93% R.H. |
| NAC Characteristics | Max. line resistance: 35Ω |
| Input Power | DC or FWR, 24V Regulated, 16 to 33V (All models) |
| Strobe Candela | 3, 6, 15, 22cd (field selectable) |

**UL1638 is on axis only"

Warning: Blue strobes are not to be used as a visual public mode alarm notification appliance.

STROBE AND HORN STROBE APPLIANCES

Wheelock Exceder LED3 Multi-Candela Strobes can provide a non-synchronized strobe appliance when connected directly to a Fire Alarm Control Panel (FACP), or provide a synchronized strobe appliance when used in conjunction with an FACP that incorporates the Cooper Wheelock sync protocol, a Dual Sync Module (DSM), or the Wheelock Power Supply.

CURRENT DRAW:

Table 2: LST3-B Strobe Current Draw (Amps)

| Strobe Candela Settings (cd) | | | | |
|------------------------------|-------|-------|-------|-------|
| 16.0-33.0 Volts | | | | |
| Current | 3 | 6 | 15 | 22 |
| DC | 0.030 | 0.040 | 0.100 | 0.195 |
| FWR | 0.040 | 0.056 | 0.138 | 0.257 |

NOTE: Candela and Horn Setting will determine the current draw of the product.

When calculating the total currents use Tables 2 to determine the highest value of RMS current for an individual appliance, then multiply these values by the total number of appliances. Be sure to add the currents for any other appliances, including audible signaling appliances powered by the same source, and to include any required safety factors.

NOTE: These notification appliances are UL Listed as "Regulated". They are intended to be used with Fire Alarm Control Panels (FACPs) whose notification circuits are UL Listed as "Regulated." Refer to the FACP instructions or the Wheelock Strobe Compatibility Data Sheet (PN P85328) for special application and strobe synchronization compatibility.

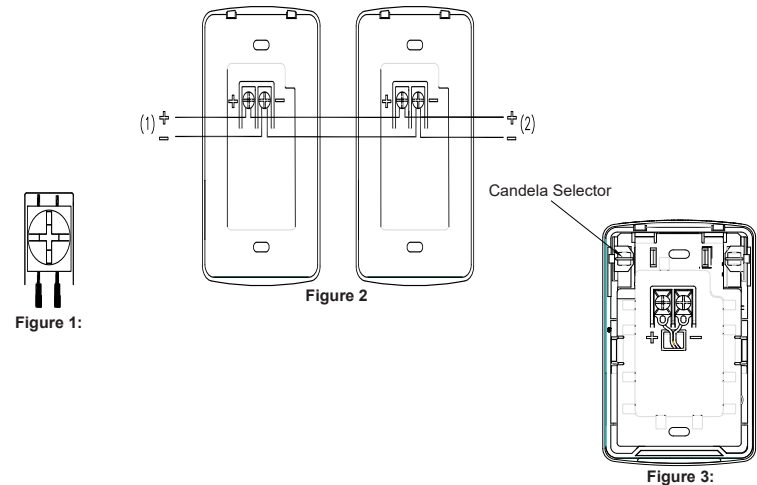
NOTE: These appliances were tested to the regulated voltage limits of 16.0-33.0 Volts for 24 volt models using either filtered DC or unfiltered DC for the 24 volt range voltage. Do not apply voltage outside of this range.

NOTE: Check the minimum and maximum output of the power supply and standby battery and subtract the voltage drop from the circuit wiring resistance to determine the applied voltage to the strobes. The maximum wire impedance between strobes shall not exceed 35 ohms.

NOTE: Strobes are not designed to be used on coded systems in which the applied voltage is cycled on and off.

NOTE: Make sure that the total rms current required by all appliances that are connected to the system's primary and secondary power sources, Notification Appliance Circuit (NAC), sync module, DSM sync modules, or Wheelock power supplies does not exceed the power sources' rated capacity or the current ratings of any fuses on the circuits to which these appliances are wired.

WARNING:Overloading power sources or exceeding fuse ratings could result in loss of power and failure to alert occupants during an emergency, which could result in property damage and serious injury or death to you and/or others.



WIRING, SETTINGS AND MOUNTING

• All strobe appliances have in-out wiring terminals that accept two #12 to #18 American Wire Gauge (AWG) wires at each screw terminal. Strip leads 3/8 inches and connect to screw terminals.

• Break all in-out wire runs on supervised circuits to ensure integrity of circuit supervision as shown in Figure 1. The polarity shown in Figure 2, the wiring diagram, is for the operation of the appliances. The polarity is reversed by the FACP during supervision.

NOTE: Wiring method shall be in accordance with CSA C22.1, Canadian Electrical Code, Part 1, Safety Standard for Electrical Installations, Section 32.

NOTE: Do not fully back out terminal screws..

NOTE: Candela settings are shown in Figure 3

MOUNTING OPTIONS

NOTE: Remove the Lens Protector Tape Before Replacing The Appliance Cover Grille.

1. Connect field wiring to contacts on back of device.
2. Dress wires back into backbox.
3. Install device as shown in Figure 4 to a single-gang backbox with the provided pan head screws.
4. Snap beauty cover over device.
5. To remove the appliance, insert a small flat-bladed screwdriver into the bottom opening 1/2" as shown in Figure 5. Then pry off beauty cover with the screw driver and then unscrew device.

NOTE: backbox must be recessed flush with the wall surface.

IMPORTANT: Device only has one mounting orientation. LED light element should be pointed towards ground.

NOTE: For other mounting options please use the ESB-KIT (Red: CN120533; White: 120534) or LSBB (Red: CN122402; White: CN122403) accessory products.

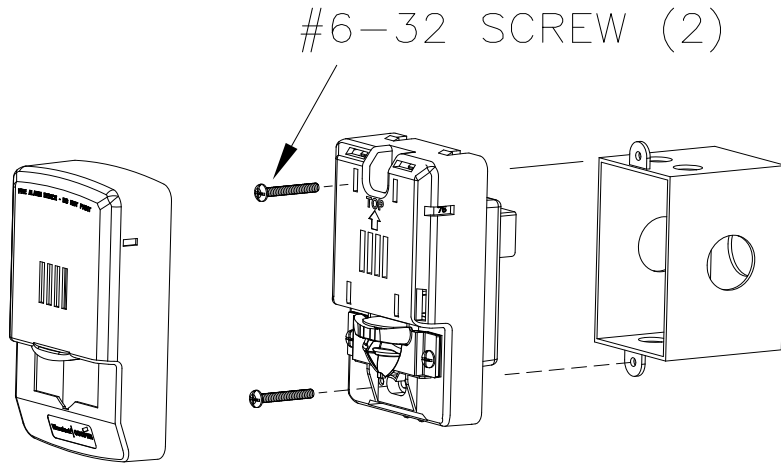
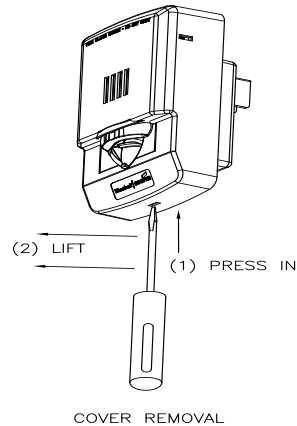


Figure 4:



COVER REMOVAL

Figure 5

WARNING: DO NOT PAINT THIS DEVICE.

WARNING: When installing strobes in an open office or other areas containing partitions or other viewing obstructions, special attention should be given to the location of the strobes so that their operating effect can be seen by all intended viewers, with the intensity, number, and type of strobes being sufficient to make sure that the intended viewer is alerted by proper illumination, regardless of the viewer's orientation.

WARNING: A small possibility exists that the use of multiple strobes within a person's field of view, under certain circumstances, might induce a photo-sensitive response in persons with epilepsy. Strobe reflections in a glass or mirrored surface might also induce such a response. To minimize this possible hazard, Cooper Wheelock strongly recommends that the strobes installed should not present a composite flash rate in the field of view which exceeds five (5) hz at the operating voltage of the strobes. Cooper Wheelock also strongly recommends that the intensity and composite flash rate of installed strobes comply with levels established by applicable laws, standards, regulations, codes and guidelines.

CAUTION: Check that the installed product will have sufficient clearance and wiring room prior to installing backboxes and conduit, especially if sheathed multiconductor cable or 3/4-inch conduit fittings are used.

Although the limits shown for the mounting option comply with the National Electrical Code (NEC), Cooper Wheelock recommends use of the largest single gang backbox option available and the use of approved stranded field wires, whenever possible, to provide additional wiring room for easy installation and minimum stress on the product from wiring.

CAUTION: Do not over tighten mounting screws. Excessive torque can distort the base and may affect operation.

CAUTION: When using power tools to screw down the mounting plate to the electrical backbox, ensure the torque is set to the lowest setting available.

NOTE: NFPA 72/ANSI 117.1 conform to ADAAG Equivalent Facilitation Guidelines in using fewer, higher intensity strobes within the same protected area.

NOTE: Final acceptance is subject to Authorities Having Jurisdiction.

CAUTION: Check the installation instructions of the manufacturers of other equipment used in the system for any guidelines or restrictions on wiring and/or locating Notification Appliance Circuits (NAC) and notification appliances. Some system communication circuits and/or audio circuits, for example, may require special precautions to assure immunity from electrical noise (e.g., audio crosstalk).

NOTE: This equipment has been tested and found to comply with the limits for a Class A digital device, pursuant to part 15 of the FCC Rules. These limits are designed to provide reasonable protection against harmful interference when the equipment is operated in a commercial environment. This equipment generates, uses, and can radiate radio frequency energy and, if not installed and used in accordance with the instruction manual, may cause harmful interference to radio communications. Operation of this equipment in a residential area is likely to cause harmful interference in which case the user will be required to correct the interference at his own expense.

This Class A digital apparatus meets all requirements of the Canadian Interference-Causing Equipment Regulations.

Cet appareil numérique de la classe A respecte toutes les exigences du Règlement sur le matériel brouilleur du Canada.

Any material extrapolated from this document or from Cooper Wheelock manuals or other documents describing the product for use in promotional or advertising claims, or for any other use, including description of the product's application, operation, installation and testing is used at the sole risk of the user and Cooper Notification will not have any liability for such use.

IN NO CASE WILL SELLER'S LIABILITY EXCEED THE PURCHASE PRICE PAID FOR A PRODUCT.

Copyright 2017 Cooper Wheelock Inc., dba Cooper Notification. All rights reserved.