

INSTALLATION INSTRUCTIONS

EXCEDER LED SURFACE BACKBOX (LSBB)

EXCEDER ADAPTER KIT (ESB-KIT)

Use this product according to this instruction manual. Please keep this instruction manual for future reference.

GENERAL

The Cooper Wheelock Exceder LED Surface Backbox (LSBB) is UL and ULC listed to allow Cooper Wheelock Exceder LED wall horn, strobe and horn/strobe appliances to be surface mounted. The Adapter Kit (ESB-KIT) allows the same appliances to be mounted to a standard recessed single-gang or 4-inch sq. electrical back box.

Conduit Openings on LSBB: (2) side 3/4-inch knockout.

APPLICATION NOTES

1. Please refer to the installation instructions provided for each notification appliance before proceeding with the installation.
2. Use mounting screws supplied with this product and mount backbox as shown in the Figure 1.
3. Screws are required, NOT OPTIONAL, for attaching the LSBB or ESB-KIT to a mounting surface or back box.

MOUNTING OPTIONS

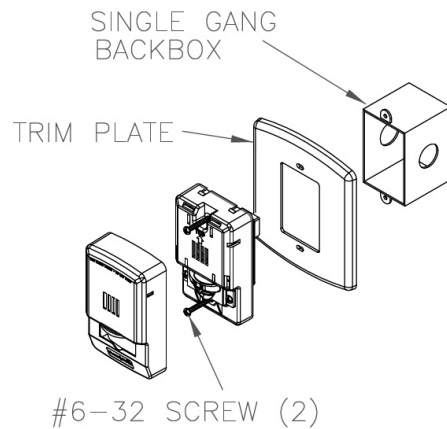


Figure 1: Single Gang Box Retrofit

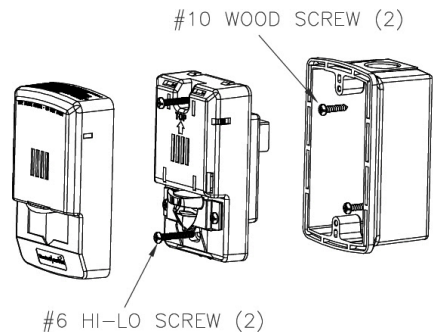


Figure 2: Surface Mounting Box

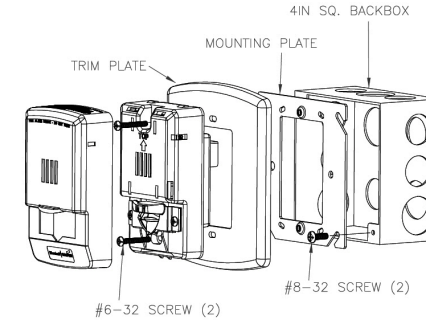


Figure 3: 4-Inch Square Metal Box

NOTE: For 4-inch sq. back box mounting, installer must provide a standard metal 4-inch sq. to single gang trim plate.

1. Mount the LSBB or ESB-KIT in the appropriate location.
2. Remove only the necessary conduit knock-out(s) when using the LSBB.
3. Connect field wiring to the appliance per the appliance instruction sheet.
4. Connect the device to either the LSBB or ESB-KIT per the appliance instruction sheet.

NOTE: Wiring method shall be in accordance with CSA C22.1, Canadian Electrical Code, Part 1, Safety Standard for Electrical Installations, Section 32.

CAUTION: Check that the installed product will have sufficient clearance and wiring room prior to installing backboxes and conduit, especially if sheathed multiconductor cable or 3/4-inch conduit fittings are used.

CAUTION: Check the installation instructions of the manufacturers of other equipment used in the system for any guidelines or restrictions on wiring and/or locating Notification Appliance Circuits (NAC) and notification appliances. Some system communication circuits and/or audio circuits, for example, may require special precautions to assure immunity from electrical noise (e.g., audio crosstalk).

ANY MATERIAL EXTRAPOLATED FROM THIS DOCUMENT OR FROM COOPER NOTIFICATION MANUALS OR OTHER DOCUMENTS DESCRIBING THE PRODUCT FOR USE IN PROMOTIONAL OR ADVERTISING CLAIMS, OR FOR ANY OTHER USE, INCLUDING DESCRIPTION OF THE PRODUCT'S APPLICATION, OPERATION, INSTALLATION AND TESTING IS USED AT THE SOLE RISK OF THE USER AND COOPER NOTIFICATION WILL NOT HAVE ANY LIABILITY FOR SUCH USE.

09/13