

Thank you for using our products.


**INSTALLATION INSTRUCTIONS
 SP-SVC SAFEPATH SUPERVISED VOLUME CONTROL**


Use this product according to this instruction manual. Please keep this instruction manual for future reference.

GENERAL:

The SP-SVC Supervised Volume Control is a 35 watt volume attenuator that is listed under UL864 for installation with the Safepath SP40S along with the SPB-160, SPB-80/4, or SPB-320. It can be used to control the volume of a single speaker, multiple speakers or an entire audio loop up to 35 watts. The SP-SVC contains an override relay that will bypass the attenuator when the system is put into an alarm condition, thereby allowing the emergency notification message(s) to be announced at the maximum volume. The SP-SVC is designed to be compatible with a UL864 listed 24 volt supervised notification appliance circuit (NAC). It is compatible with class B wiring and with class A wiring if used with the SP4-APS Addressable Paging Splitter.

NOTE: This model is recommended for use with 70.7VRMS supervised audio systems, but it can be used in 25.0VRMS systems if the speaker load is reduced to 4 watts.

NOTE: All **CAUTIONS** and **WARNINGS** are identified by the symbol . All warnings are printed in bold capital letters.

 **WARNING:** PLEASE READ THESE INSTRUCTIONS CAREFULLY. FAILURE TO COMPLY WITH ANY OF THE FOLLOWING INSTRUCTIONS, CAUTIONS AND WARNINGS COULD RESULT IN IMPROPER APPLICATION, INSTALLATION AND/OR OPERATION OF THESE PRODUCTS IN AN EMERGENCY SITUATION, WHICH COULD RESULT IN PROPERTY DAMAGE AND SERIOUS INJURY OR DEATH TO YOU AND/OR OTHERS.

SPECIFICATIONS:

Table 1: Attenuation Rating		
Switch Position	Position Attenuation (dB)	Total Attenuation (dB) (Approx.)
10	0	0
9	-4	-4
8	-3	-7
7	-3	-10
6	-3	-13
5	-3	-16
4	-3	-19
3	-3	-22
2	-3	-25
1	-3	-28
0	OFF	OFF

Insertion loss is less than 0.5 dB.

Table 2: Audio Power Rating	
Audio Input Voltage	Maximum Load
70.7 VRMS	35W
25.0 VRMS	4W

Table 3: DC input ratings	
Input voltage	Maximum RMS Current
16.0-33.0 VDC/VRMS	15.0 mA

WIRING INFORMATION:

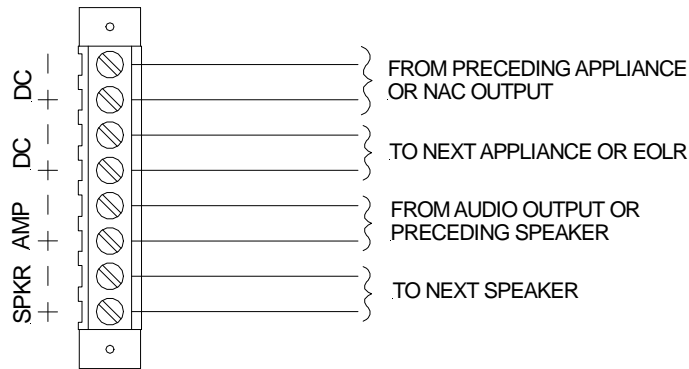


Figure 1: Terminal Block wiring diagram.

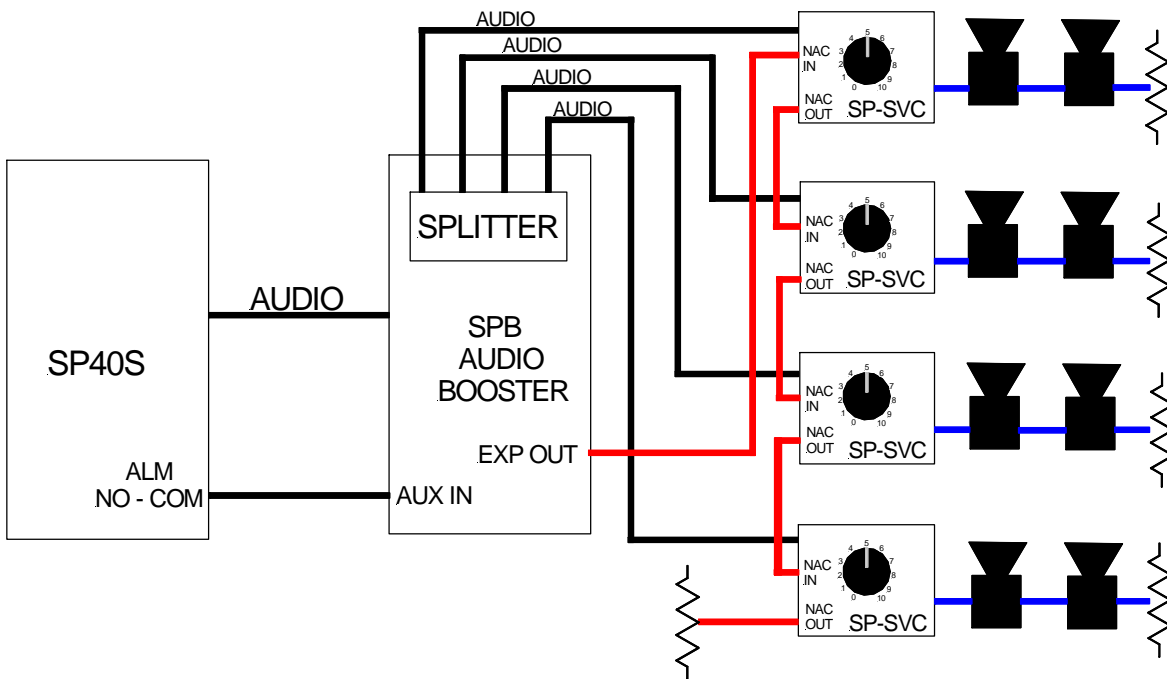


Figure 2: Typical system layout with SP40S and SPB Audio Booster and optional splitter.

NOTES:

1. Only one SP-SVC can be installed per audio zone; however, multiple units can be controlled by the same NAC.
2. All fixed volume speakers must be placed before the SP-SVC in the audio circuit. Any speakers placed after the unit will be able to be attenuated.
3. If the SP-SVC is installed in a supervised audio system with class B wiring, then an end-of-line resistor (EOLR) must be installed on the last speaker connected to the volume control unit.
4. Attach wires according to the label on the terminal block. The DC input/output terminals are interchangeable. If the SP-SVC is the last unit on the NAC, then an end-of-line resistor must be installed.
5. The maximum wire impedance between devices shall not exceed 35 ohms.

CAUTION: The SP-SVC is not designed to be used on coded systems in which the applied voltage is cycled on and off.

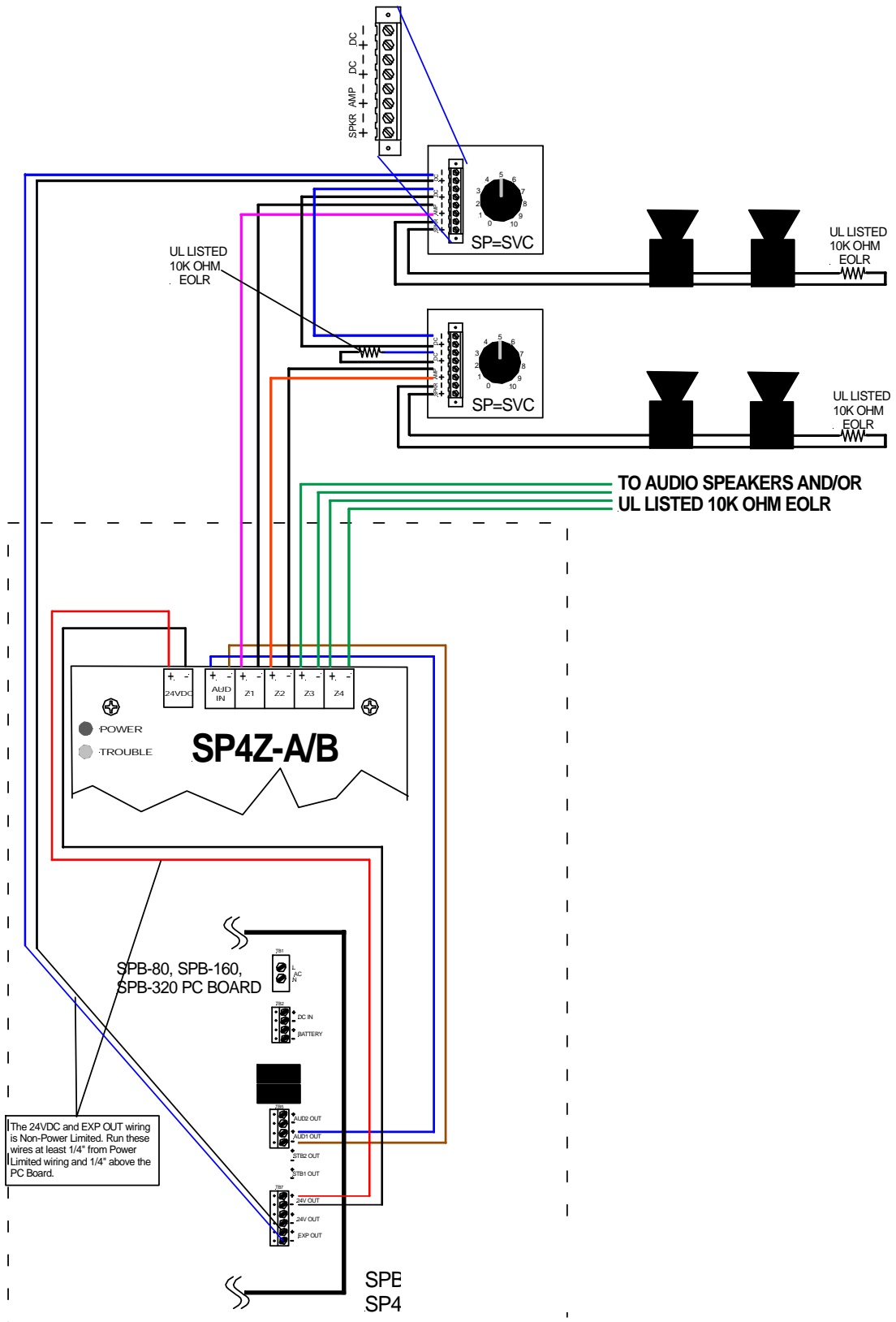


Figure 3: Class B system wiring diagram. SP4Z-A/B splitter is optional.

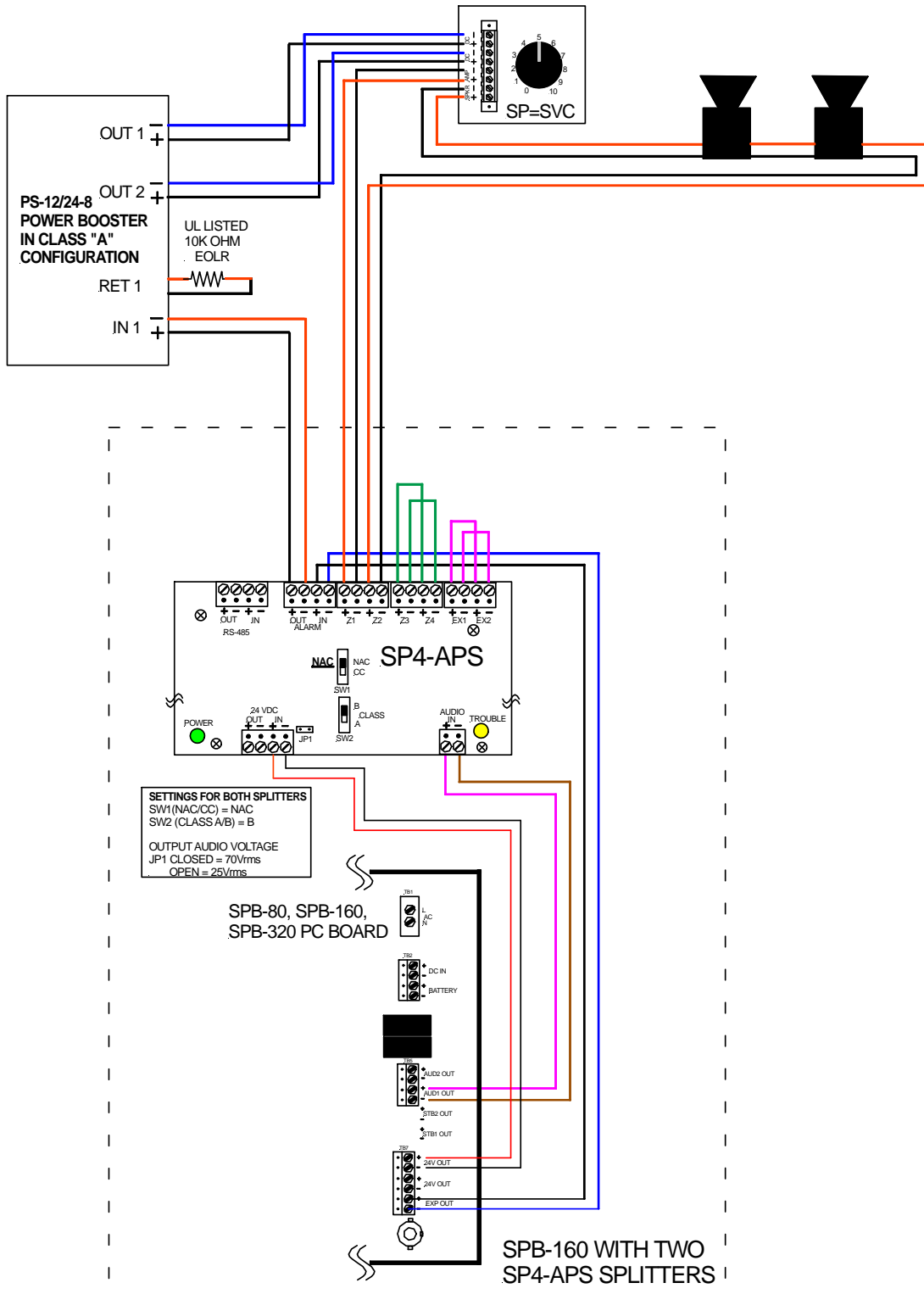


Figure 4: Class A system wiring diagram. SP4-APS Splitter is required. SP-SVC DC input must be connected to Class A NAC.

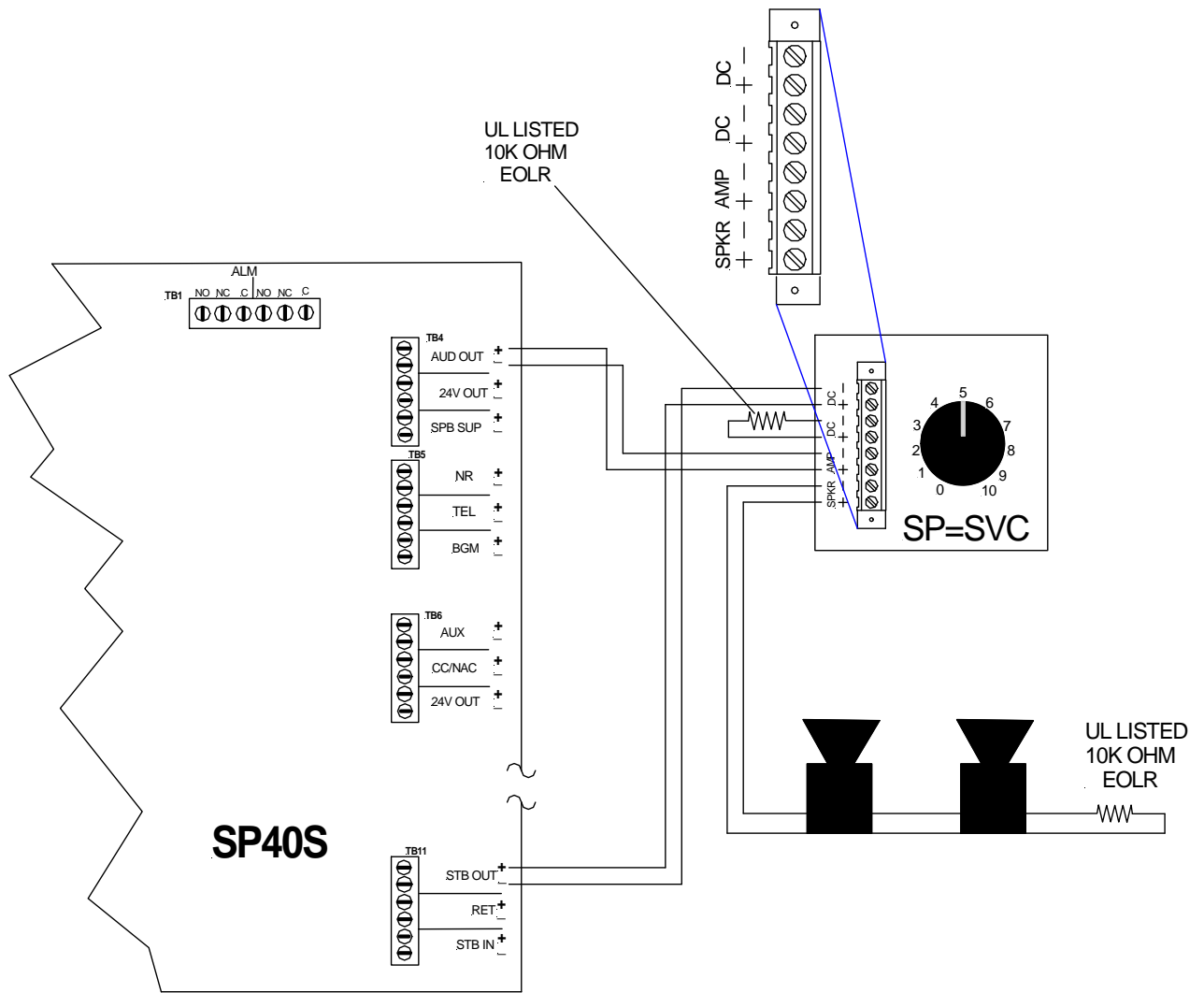


Figure 5: Installation with SP40S ONLY.

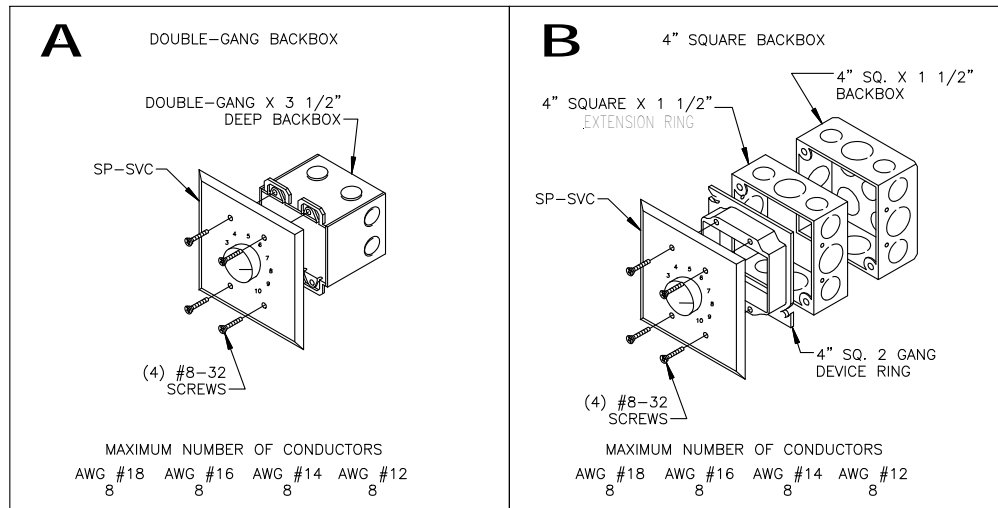
⚠ CAUTION: This installation option will result in loss of alarm contact closure.

Refer to the following product manuals for additional wiring and installation information:

- SP40/2 (P84116)
- SPB-160 & SPB-80/4 (P84296)
- SPB-320 (P84244)
- SP4-APS (P84577)
- SP4Z-A/B (P84205)
- SP40S (P84714)

MOUNTING INFORMATION:

Although the limits shown for each mounting option comply with the National Electrical Code (NEC), Cooper Notification recommends use of the largest back box option shown and the use of approved stranded field wires, whenever possible, to provide additional wiring room for easy installation and minimum stress on the product from wiring. The back box must be UL listed.



CAUTION: Check that the installed product will have sufficient clearance and wiring room prior to installing back boxes and conduit, especially if sheathed multiconductor cable or 3/4" conduit fittings are used.

1. The SP-SVC can be mounted to a 3 1/2" deep double gang box (Figure A) or a 4" inch square, 1 1/2" deep box with a 1 1/2" extension ring and double gang ring (Figure B).
2. Conduit entrances to the back box should be selected to provide sufficient wiring clearance for the installed product.
3. When terminating field wires, do not use more lead length than required. Excess lead length could result in insufficient wiring space for the appliance. Do not pass additional wires through the back box. Such additional wires could result in insufficient wiring space for the device.
4. Verify that the SP-SVC is oriented correctly before wiring. Position the unit so that the number 5 is at the top.
5. The terminal block can accept 8 wires from #12 to #18 AWG with one wire per each position. Strip wires 1/4 of an inch. Insert the wires into the terminal block and turn the screws tightly to secure the wires. If using stranded wire, use care when inserting the wires to ensure that the wires do not fray and cross with the other wires.
6. Carefully push the unit into the back box. Use care and proper techniques to position the field wires in the back box so that they use minimum space and produce minimum stress on the product. If using rigid, heavy gauge wires, it may be necessary to pre-bend the wires so that the unit can be easily pushed into the back box.
7. Insert the mounting screws through the holes in the cover plate and fasten them.
8. Verify correct installation by testing the unit and the system in background music mode and alarm mode.

ANY MATERIAL EXTRAPOLATED FROM THIS DOCUMENT OR FROM COOPER NOTIFICATION MANUALS OR OTHER DOCUMENTS DESCRIBING THE PRODUCT FOR USE IN PROMOTIONAL OR ADVERTISING CLAIMS, OR FOR ANY OTHER USE, INCLUDING DESCRIPTION OF THE PRODUCT'S APPLICATION, OPERATION, INSTALLATION AND TESTING IS USED AT THE SOLE RISK OF THE USER AND COOPER NOTIFICATION WILL NOT HAVE ANY LIABILITY FOR SUCH USE.

WARNING: All Electrical installations shall be in accordance with the appropriate national electrical code – CAN/ULC S524, Canadian Electrical Code, Part 1, National Building Code of Canada. Final acceptance is subject to Authorities Having Jurisdiction.

LIMITED WARRANTY

Cooper Wheelock, Inc. dba Cooper Notification and Cooper Notification, Inc. (each, a "Seller") products must be used within their published specifications and must be PROPERLY specified, applied, installed, operated, maintained and operationally tested in accordance with these instructions at the time of installation and at least twice a year or more often and in accordance with local, state and federal codes, regulations and laws. Specification, application, installation, operation, maintenance and testing must be performed by qualified personnel for proper operation in accordance with all of the latest National Fire Protection Association (NFPA), Underwriter's Laboratories (UL), National Electrical Code (NEC), Occupational Safety and Health Administration (OSHA), local, state, county, province, district, federal and other applicable building and fire standards, guidelines, regulations laws and codes including, but not limited to, all appendices and amendments and the requirements of the local authority having jurisdiction (AHJ). Seller products when properly specified, applied, installed, operated, maintained and operationally tested as provided above are warranted against mechanical and electrical defects for a period of (a) three (3) years from date of manufacture with respect to MEDC and Seller Industrial Signals and Seller Fire and Security Notification Appliances and Devices, or (b) one (1) year from date of manufacture with respect to Waves and SafePath Voice Evacuation and Mass Notification Systems (date of manufacture is determined by date code.) Correction of defects by repair or replacement shall be at Seller's sole discretion and shall constitute fulfillment of all obligations under this warranty. THE FOREGOING LIMITED WARRANTY SHALL IMMEDIATELY TERMINATE IN THE EVENT ANY PART NOT FURNISHED BY SELLER IS INSTALLED IN THE PRODUCT. THE FOREGOING LIMITED WARRANTY SPECIFICALLY EXCLUDES ANY SOFTWARE REQUIRED FOR THE OPERATION OF OR INCLUDED IN A PRODUCT. SELLER MAKES NO REPRESENTATION OR WARRANTY OF ANY OTHER KIND, EXPRESS, IMPLIED OR STATUTORY WHETHER AS TO MECHANABILITY, FITNESS FOR A PARTICULAR PURPOSE OR ANY OTHER MATTER.

USERS ARE SOLELY RESPONSIBLE FOR DETERMINING WHETHER A PRODUCT IS SUITABLE FOR THE USER'S PURPOSES, OR WHETHER IT WILL ACHIEVE THE USER'S INTENDED RESULTS. THERE IS NO WARRANTY AGAINST DAMAGE RESULTING FROM MISAPPLIACATION, IMPROPER SPECIFICATION, ABUSE, ACCIDENT OR OTHER OPERATING CONDITIONS BEYOND SELLER'S CONTROL.

SELLER DOES NOT WARRANT THAT THE OPERATION OF THE SOFTWARE WILL BE UNINTERRUPTED OR ERROR-FREE OR THAT THE SOFTWARE WILL MEET ANY OTHER STANDARD OF PERFORMANCE, OR THAT THE FUNCTIONS OR PERFORMANCE OF THE SOFTWARE WILL MEET THE USER'S REQUIREMENTS. SELLER SHALL NOT BE LIABLE FOR ANY DELAYS, BREAKDOWNS, INTERRUPTIONS, LOSS, DESTRUCTION, ALTERATION, OR OTHER PROBLEMS IN THE USE OF A PRODUCT ARISING OUT OF OR CAUSED BY THE SOFTWARE.

THE LIABILITY OF SELLER ARISING OUT OF THE SUPPLYING OF A PRODUCT, OR ITS USE, WHETHER ON WARRANTIES, NEGLIGENCE, OR OTHERWISE, SHALL NOT IN ANY CASE EXCEED THE COST OF CORRECTING DEFECTS AS STATED IN THE LIMITED WARRANTY AND UPON EXPIRATION OF THE WARRANTY PERIOD ALL SUCH LIABILITY SHALL TERMINATE. SELLER IS NOT LIABLE FOR LABOR COSTS INCURRED IN REMOVAL, REINSTALLATION OR REPAIR OF A PRODUCT BY ANYONE OTHER THAN SELLER OR FOR DAMAGE OF ANY TYPE WHATSOEVER, INCLUDING BUT NOT LIMITED TO, LOSS OF PROFIT OR INCIDENTAL, INDIRECT, CONSEQUENTIAL, SPECIAL, PUNITIVE OR EXEMPLARY DAMAGES. THE FOREGOING SHALL CONSTITUTE THE SOLE REMEDY OF THE PURCHASER AND THE EXCLUSIVE LIABILITY OF SELLER.

IN NO CASE WILL SELLER'S LIABILITY EXCEED THE PURCHASE PRICE PAID FOR A PRODUCT.

LIMITATION OF LIABILITY

SELLER'S LIABILITY ON ANY CLAIM OF ANY KIND, INCLUDING NEGLIGENCE AND BREACH OF WARRANTY, FOR ANY LOSS OR DAMAGE RESULTING FROM, ARISING OUT OF, OR CONNECTED WITH THIS CONTRACT, OR FROM THE MANUFACTURE, SALE, DELIVERY, RESALE, REPAIR OR USE OF ANY PRODUCT COVERED BY THIS ORDER SHALL BE LIMITED TO THE PRICE APPLICABLE TO THE PRODUCT OR PART THEREOF WHICH GIVES RISE TO THE CLAIM. SELLER'S LIABILITY ON ANY CLAIM OF ANY KIND SHALL CEASE IMMEDIATELY UPON THE INSTALLATION IN THE PRODUCT OF ANY PART NOT FURNISHED BY SELLER. IN NO EVENT SHALL SELLER BE LIABLE FOR ANY CLAIM OF ANY KIND UNLESS IT IS PROVEN THAT ITS PRODUCT WAS THE DIRECT CAUSE OF SUCH CLAIM. FURTHER, IN NO EVENT, INCLUDING IN THE CASE OF A CLAIM OF NEGLIGENCE, SHALL SELLER BE LIABLE FOR INCIDENTAL, INDIRECT, CONSEQUENTIAL, SPECIAL, PUNITIVE OR EXEMPLARY DAMAGES. SOME STATES DO NOT ALLOW THE EXCLUSION OR LIMITATION OF INCIDENTAL OR CONSEQUENTIAL DAMAGES, SO THE PRECEDING LIMITATION MAY NOT APPLY TO ALL PURCHASERS.