

Thank you for using our products.


INSTALLATION INSTRUCTIONS PUSH STATION

Use this product according to this instruction manual. Please keep this instruction manual for future reference.


MODEL: SERIES NPS

GENERAL:

Multipurpose Push Stations (NPS) for applications that need Normally Open or Normally Closed contacts. The NPS can be used for manual activation of SAFEPATH and SAFEPATH4 Voice Evacuation Systems prerecorded messages. The NPS can also be used to manually activate a message in the event of an emergency or for alerting.

NOTE: All **CAUTIONS** and **WARNINGS** are identified by the symbol . All warnings are printed in bold capital letters.

NOTE: Push Stations with the suffix code -039 with the wording "Fire" have not been tested to any UL Standard.

 **WARNING: PLEASE READ THESE INSTRUCTIONS CAREFULLY BEFORE USING THIS PRODUCT. FAILURE TO COMPLY WITH ANY OF THE FOLLOWING INSTRUCTIONS, CAUTIONS AND WARNINGS COULD RESULT IN IMPROPER APPLICATION, INSTALLATION AND/OR OPERATION OF THESE PRODUCTS IN AN EMERGENCY SITUATION, WHICH COULD RESULT IN PROPERTY DAMAGE AND SERIOUS INJURY OR DEATH TO YOU AND/OR OTHERS.**

WIRING INFORMATION:

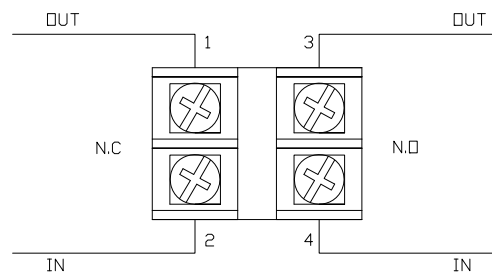


Figure 1: Terminal Block

All terminals accept (2) two #12 to #18 American Wire Gauge (AWG).

250VDC - 1 AMP

600VAC - 3 AMPS

 **WARNING: DO NOT USE THE SERIES NPS PUSH STATIONS IN INSTALLATIONS WHERE TEMPERATURES MAY FALL OUTSIDE OF THE UL LISTED TEMPERATURE [0° C (32° F) TO 49° C (120° F)] RANGE AS DAMAGE TO, OR FAILURE MAY RESULT.**

 **WARNING: FAILURE TO FOLLOW THE INSTALLATION INSTRUCTIONS OR TO SUBSTITUTE ELECTRICAL RIGID CONDUIT FITTINGS THAT DO NOT COMPLY WITH CURRENT PRACTICES ADAPTED BY NEC, NFPA AND ANSI CODES MAY RESULT IN LOSS OF PROTECTION FROM WATER OR DUST.**

 **WARNING: IN ALL AREAS WHERE FREQUENT WASH DOWNS OCCUR, STAND OFF BLOCK MUST BE INSTALLED.**

FEATURES:

- Available in five colors: Red, Green, Yellow, White or Blue
- Custom wording available
- Polycarbonate faceplate
- Stainless steel backplate
- UL 2017 listed switch assembly
- ADA Compliant
- Mounts to single-gang electrical backbox.
- Interchangeable or replaceable Normally Open (NO) and Normally Closed (NC) single pole, single throw gold plated contact blocks rated for 3 amps @ 600 VAC or 1 amp @ 250 VDC.
- Can be reset by depressing the "Push" button, and turning clockwise a 1/4 turn.
- Measurements: 5" H x 3-1/4" W x 1-1/2" D.

MOUNTING INSTRUCTIONS:

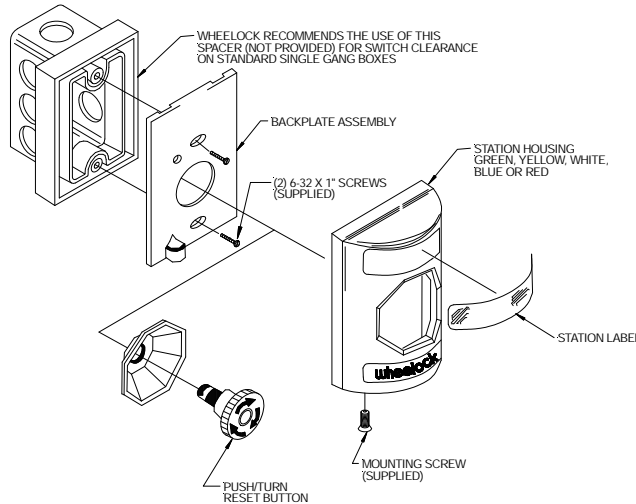


Figure 2: Overview of Assembly

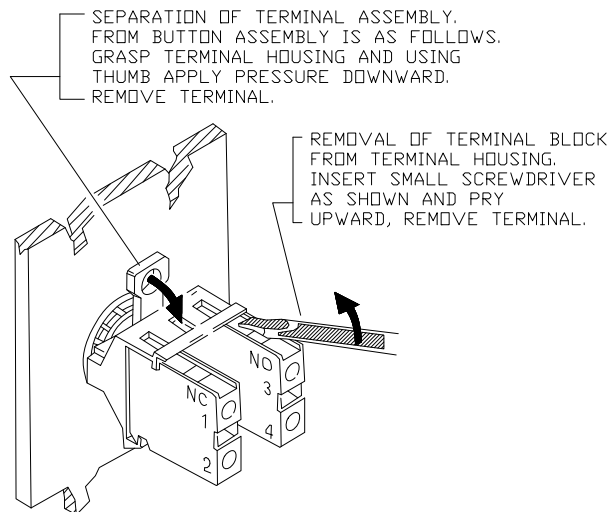


Figure 3: Back view of Push Station

NOTE: To provide adequate clearance for installation, one of the following is recommended: Safety Tech. Inc. (STI) #102722 Spacer, or Raco #660 W/1/2" K.O. and Raco #653 Extension Ring. Also Raco #696 Masonry Box.

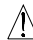
NOTE: Additional Normally Open, NPS-NO (0523) or Normally Closed, NPS-NC (0524) can be purchased separately.

MOUNTING PROCEDURES:

Use this mounting procedure to position the field wires in the backbox so that they use minimum space and produce minimum stress on the product. This is especially important for stiff, heavy gauge wires and wire with thick insulation or sheathing.

1. Strip 1/4" of wire insulation and insert in terminal block, then using a Phillips screwdriver turn screws clockwise until tightened.
2. Remove screw on bottom of Push Station unit with Allen Wrench included in hardware package.
3. Carefully push terminal block into backplate of Push Station until it snaps in securely.
4. Carefully press Push Station into backbox then screw Push Station into backbox using the (2) #6-32 screws provided in hardware package.
5. Reattach Push Station to unit and secure with screw provided using Allen Wrench.

MOUNTING NOTES:

 **CAUTION:** Check that the installed product will have sufficient clearance and wiring room prior to installing backboxes and conduit, especially if sheathed multiconductor cable or 3/4" conduit fittings are used.

1. Conduit entrances to the backbox should be selected to provide sufficient wiring clearance for the installed product.
2. When terminating field wires, do not use more lead length than required. Excess lead length could result in insufficient wiring space for the signaling appliance.
3. Do not pass additional wires (used for other than the signaling appliance) through the backbox. Such additional wires could result in insufficient wiring space for the signaling appliance.

ANY MATERIAL EXTRAPOLATED FROM THIS DOCUMENT OR FROM WHEELOCK MANUALS OR OTHER DOCUMENTS DESCRIBING THE PRODUCT FOR USE IN PROMOTIONAL OR ADVERTISING CLAIMS, OR FOR ANY OTHER USE, INCLUDING DESCRIPTION OF THE PRODUCT'S APPLICATION, OPERATION, INSTALLATION AND TESTING IS USED AT THE SOLE RISK OF THE USER AND WHEELOCK WILL NOT HAVE ANY LIABILITY FOR SUCH USE.