

*Thank you for using our products.*

**INSTALLATION INSTRUCTIONS  
SERIES MPS-400X EXPLOSION-PROOF FIRE ALARM PULL STATION**

*Use this product according to this instruction manual. Please keep this instruction manual for future reference.*

The Series MPS-400X Explosion Proof Manual Pull Station is UL and FM Listed for use in hazardous environments and for NEMA Type 4X weatherproof applications. The unit also complies with ADA Standards when installed at less than 48 inches above the floor for front wheelchair access and less than 54 inches for side wheelchair access. All installations must comply with local codes and regulations.

Ratings: Listed By: UL, FM, CSFM, MEA

Enclosures: Class I, Groups B, C and D, Class II, Groups E, F and G. Class III

Contacts: D.P.D.T. 10 Amps at 250VAC 1/2 Amp at 125VDC

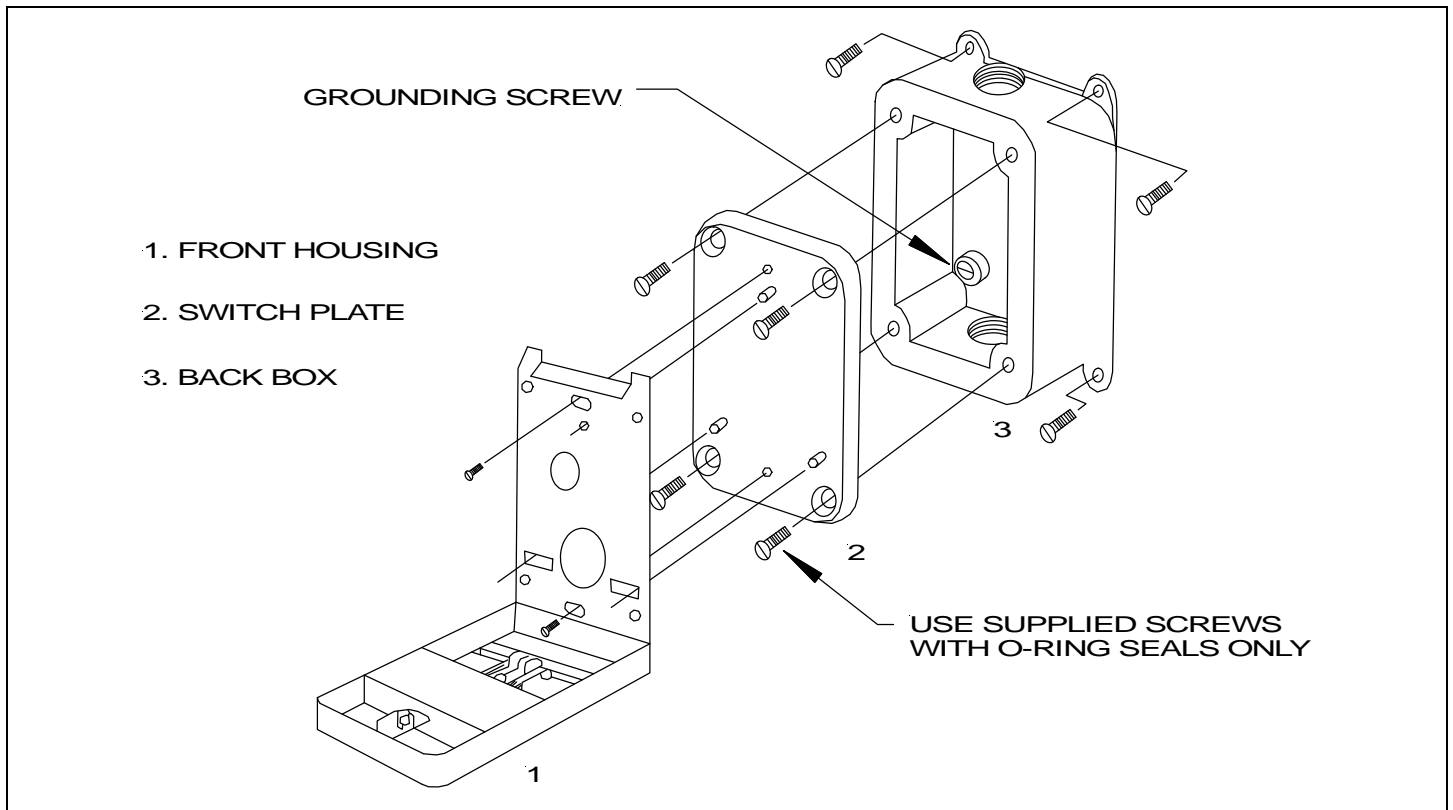
**INSTALLATION:**

**Please also refer to assembly diagram and installation notes.**

The Series MPS-400X station includes a front housing, backbox, a switch plate and all the necessary hardware to assemble the station.

1. Install the backbox onto its mounting surface using the holes provided on the mounting tabs. The tabs are designed to accept a screw size of up to 1/4-inch.
2. The backbox is supplied with two 3/4-inch 14 NPT conduit entries. Threaded joints between conduit and backbox must be made with a minimum of 5 threads fully engaged. Seal unused conduit entry with a 3/4-inch NPT pipe plug. All joints must be sealed using pipe thread sealing compound or Teflon tape and in accordance with the requirements for the particular installation.
3. Connect the field wiring to the terminal blocks on the adapter plate. Use the insulated terminal plug supplied to ground the box properly. Each wire or terminal lug must be placed under its corresponding clamping plate for proper connection.
4. Install the switch plate onto the backbox using the 4-1/4 -20 X 7/8 pan head screws provided. Make sure that the O-Ring seals on the screws and around the edge of the switch plate are properly seated.
5. Open the front housing, align its mounting plate with the pins provided on the switch plate and attach it using the two 6-32 screws provided into the slot holes.

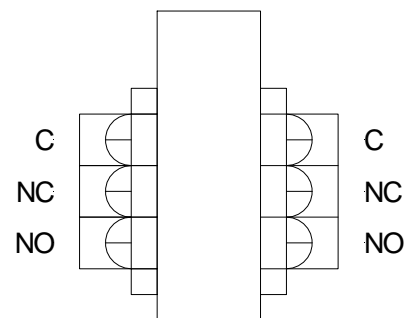
**INSTALLATION DIAGRAM:**



**CAUTION:** Before beginning, verify that the supply is turned off. Take care not to scratch or damage the surfaces of the flange joint.

1. Check to make sure that the flange surfaces are completely clean and free of scratches, debris and dust.
2. Verify that the O-Rings seals on the 4-7/8 screws and the gasket around the inside surface of the switch plate are properly seated.
3. Seal unused conduit entry with a 3/4-inch NPT plug.
4. Connect the ground wire to the grounding screw in the backbox.
5. After tightening the 4 switch plate bolts, verify that a 0.00015-inch feeler gauge does not penetrate more than 1/8-inch at any point around the flange joint.

**Terminal Block Layout**



SHOWN IN THE UPRIGHT POSITION

## ***LIMITED WARRANTY***

Cooper Wheelock, Inc. dba Cooper Notification and Cooper Notification, Inc. (each, a "Seller") products must be used within their published specifications and must be PROPERLY specified, applied, installed, operated, maintained and operationally tested in accordance with these instructions at the time of installation and at least twice a year or more often and in accordance with local, state and federal codes, regulations and laws. Specification, application, installation, operation, maintenance and testing must be performed by qualified personnel for proper operation in accordance with all of the latest National Fire Protection Association (NFPA), Underwriter's Laboratories (UL), National Electrical Code (NEC), Occupational Safety and Health Administration (OSHA), local, state, county, province, district, federal and other applicable building and fire standards, guidelines, regulations laws and codes including, but not limited to, all appendices and amendments and the requirements of the local authority having jurisdiction (AHJ). Seller products when properly specified, applied, installed, operated, maintained and operationally tested as provided above are warranted against mechanical and electrical defects for a period of (a) three (3) years from date of manufacture with respect to MEDC and Seller Industrial Signals and Seller Fire and Security Notification Appliances and Devices, or (b) one (1) year from date of manufacture with respect to Waves and SafePath Voice Evacuation and Mass Notification Systems (date of manufacture is determined by date code.) Correction of defects by repair or replacement shall be at Seller's sole discretion and shall constitute fulfillment of all obligations under this warranty. THE FOREGOING LIMITED WARRANTY SHALL IMMEDIATELY TERMINATE IN THE EVENT ANY PART NOT FURNISHED BY SELLER IS INSTALLED IN THE PRODUCT. THE FOREGOING LIMITED WARRANTY SPECIFICALLY EXCLUDES ANY SOFTWARE REQUIRED FOR THE OPERATION OF OR INCLUDED IN A PRODUCT. SELLER MAKES NO REPRESENTATION OR WARRANTY OF ANY OTHER KIND, EXPRESS, IMPLIED OR STATUTORY WHETHER AS TO MECHANABILITY, FITNESS FOR A PARTICULAR PURPOSE OR ANY OTHER MATTER.

USERS ARE SOLELY RESPONSIBLE FOR DETERMINING WHETHER A PRODUCT IS SUITABLE FOR THE USER'S PURPOSES, OR WHETHER IT WILL ACHIEVE THE USER'S INTENDED RESULTS. THERE IS NO WARRANTY AGAINST DAMAGE RESULTING FROM MISAPPLIACATION, IMPROPER SPECIFICATION, ABUSE, ACCIDENT OR OTHER OPERATING CONDITIONS BEYOND SELLER'S CONTROL.

SELLER DOES NOT WARRANT THAT THE OPERATION OF THE SOFTWARE WILL BE UNINTERRUPTED OR ERROR-FREE OR THAT THE SOFTWARE WILL MEET ANY OTHER STANDARD OF PERFORMANCE, OR THAT THE FUNCTIONS OR PERFORMANCE OF THE SOFTWARE WILL MEET THE USER'S REQUIREMENTS. SELLER SHALL NOT BE LIABLE FOR ANY DELAYS, BREAKDOWNS, INTERRUPTIONS, LOSS, DESTRUCTION, ALTERATION, OR OTHER PROBLEMS IN THE USE OF A PRODUCT ARISING OUT OF OR CAUSED BY THE SOFTWARE.

THE LIABILITY OF SELLER ARISING OUT OF THE SUPPLYING OF A PRODUCT, OR ITS USE, WHETHER ON WARRANTIES, NEGLIGENCE, OR OTHERWISE, SHALL NOT IN ANY CASE EXCEED THE COST OF CORRECTING DEFECTS AS STATED IN THE LIMITED WARRANTY AND UPON EXPIRATION OF THE WARRANTY PERIOD ALL SUCH LIABILITY SHALL TERMINATE. SELLER IS NOT LIABLE FOR LABOR COSTS INCURRED IN REMOVAL, REINSTALLATION OR REPAIR OF A PRODUCT BY ANYONE OTHER THAN SELLER OR FOR DAMAGE OF ANY TYPE WHATSOEVER, INCLUDING BUT NOT LIMITED TO, LOSS OF PROFIT OR INCIDENTAL, INDIRECT, CONSEQUENTIAL, SPECIAL, PUNITIVE OR EXEMPLARY DAMAGES. THE FOREGOING SHALL CONSTITUTE THE SOLE REMEDY OF THE PURCHASER AND THE EXCLUSIVE LIABILITY OF SELLER.

IN NO CASE WILL SELLER'S LIABILITY EXCEED THE PURCHASE PRICE PAID FOR A PRODUCT.

## ***LIMITATION OF LIABILITY***

SELLER'S LIABILITY ON ANY CLAIM OF ANY KIND, INCLUDING NEGLIGENCE AND BREACH OF WARRNTY, FOR ANY LOSS OR DAMAGE RESULTING FROM, ARISING OUT OF, OR CONNECTED WITH THIS CONTRACT, OR FROM THE MANUFACTURE, SALE, DELIVERY, RESALE, REPAIR OR USE OF ANY PRODUCT COVERED BY THIS ORDER SHALL BE LIMITED TO THE PRICE APPLICABLE TO THE PRODUCT OR PART THEREOF WHICH GIVES RISE TO THE CLAIM. SELLER'S LIABILITY ON ANY CLAIM OF ANY KIND SHALL CEASE IMMEDIATELY UPON THE INSTALLATION IN THE PRODUCT OF ANY PART NOT FURNISHED BY SELLER. IN NO EVENT SHALL SELLER BE LIABLE FOR ANY CLAIM OF ANY KIND UNLESS IT IS PROVEN THAT ITS PRODUCT WAS THE DIRECT CAUSE OF SUCH CLAIM. FURTHER, IN NO EVENT, INCLUDING IN THE CASE OF A CLAIM OF NEGLIGENCE, SHALL SELLER BE LIABLE FOR INCIDENTAL, INDIRECT, CONSEQUENTIAL, SPECIAL, PUNITIVE OR EXEMPLARY DAMAGES. SOME STATES DO NOT ALLOW THE EXCLUSION OR LIMITATION OF INCIDENTAL OR CONSEQUENTIAL DAMAGES, SO THE PRECEDING LIMITATION MAY NOT APPLY TO ALL PURCHASERS.