



273 Branchport Avenue
 Long Branch, NJ 07740
 (800) 631-2148
 www.cooperwheelock.com

Thank you for using our products.

**INSTALLATION INSTRUCTIONS
 SPRM REMOTE MICROPHONE FOR USE WITH SP40S**

Use this product according to this instruction manual. Please keep this instruction manual for future reference.

MODEL NUMBER:

SPRM 108996
 SPRM-B 109932

GENERAL:

The Remote Microphone is UL Listed under Standard 864, Control Units for Fire-Protective Signaling Systems. **They are Listed for indoor use only.** The Remote Microphone is designed to be used with Wheelock's *SP40S SAFEPATH4* Panel. It provides a means for making emergency voice announcements from an auxiliary location. Only 1 Remote Microphone can be connected to the *SP40S* Panel. The hand held push-to-talk microphone is supervised to ensure proper connection. It is not repairable. If it is detached from the unit, the unit must be returned for repair.

NOTE: All CAUTIONS and WARNINGS are identified by the symbol . All warnings are printed in bold capital letters.

WARNING: PLEASE READ THESE INSTRUCTIONS CAREFULLY BEFORE USING THIS PRODUCT. FAILURE TO COMPLY WITH ANY OF THE FOLLOWING INSTRUCTIONS, CAUTIONS AND WARNINGS COULD RESULT IN IMPROPER APPLICATION, INSTALLATION AND/OR OPERATION OF THESE PRODUCTS IN AN EMERGENCY SITUATION, WHICH COULD RESULT IN PROPERTY DAMAGE AND SERIOUS INJURY OR DEATH TO YOU AND/OR OTHERS.

SPECIFICATIONS:

Power Input Voltage: 24VDC
 Audio Output Level: 1.05V RMS
 Output Impedance: 600 Ohms
 Min. Ground Fault: 20k Ohms
 Input Current: Standby: 23mA
 Alarm: 30mA

WIRING DIAGRAM:

Figure 1 shows the proper wiring connections for connecting the *SPRM* to the *SP40S*.

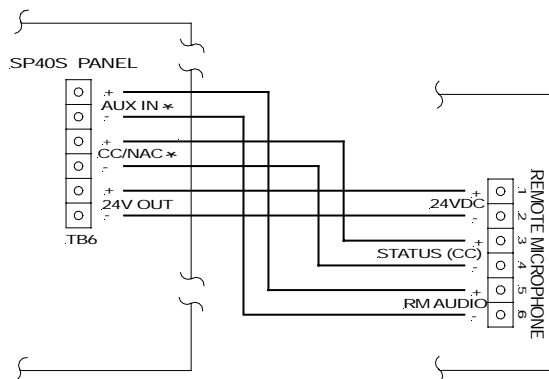


Figure 1:

*** This wiring is power limited.**

NOTE: All wiring is supervised unless otherwise noted.

WIRING SPECIFICATIONS:

Cable Size: 14-18 American Wire Gauge (AWG) Shielded. The shield must be connected only at the *SP40S* Panel.
 Maximum Length: 2000 Feet
 Maximum Capacitance: 0.1uF/Total Run (50pF/foot for 1000 FT.)

MOUNTING INSTRUCTIONS:

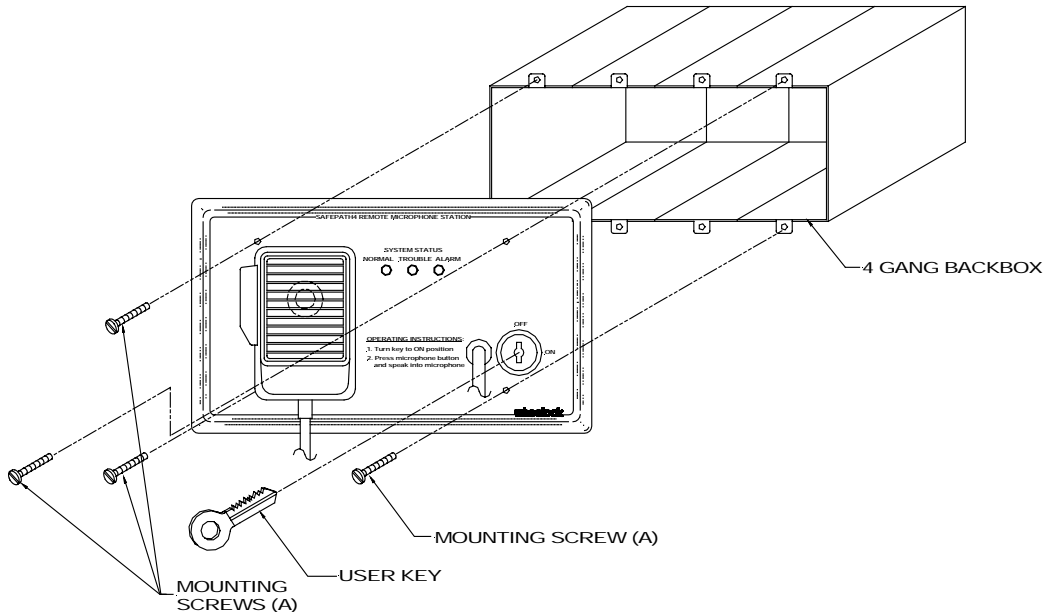


Figure 2:

Figure 2 shows the proper mounting requirements for the *SPRM*.

1. Install a 4" gang backbox (either flush or surface) to the desired location. Be sure that the mounting box is level.
2. Attach the 6 wires as shown in the wiring diagram (Figure 1). Be sure to use the specified wire.
3. Attach the mounting plate to the box with the 4 screws as shown in Figure 2.

OPERATING INSTRUCTIONS:

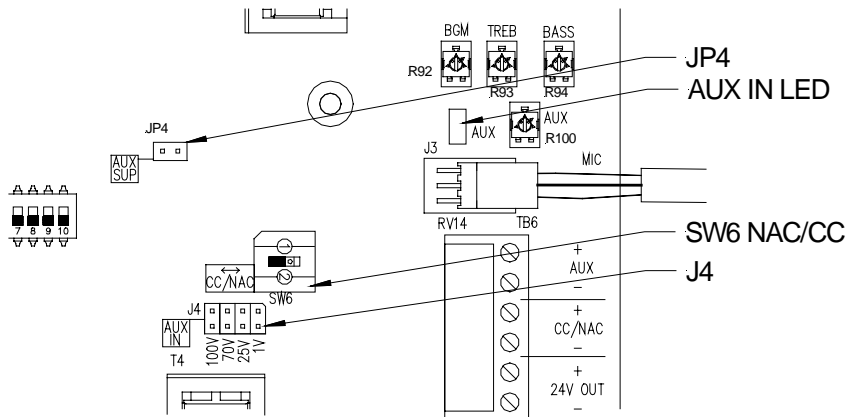


Figure 3:

Figure 3 shows the locations of the switches and LED's on the SP40S that require operation during operation and troubleshooting.

1. Set switch **SW6** (NAC/CC) to the CC position.
2. Set the jumper on **J4** to the 1V position.
3. Remove the jumper on **JP4**.
4. Insert key and turned to the ON position for the controls to function. (The key is removable only in the OFF position.)

⚠ WARNING: IF JP4 JUMPER IS NOT REMOVED THE SP40S WILL NOT BE ABLE TO DETECT ANY REMOTE MIC TROUBLE.

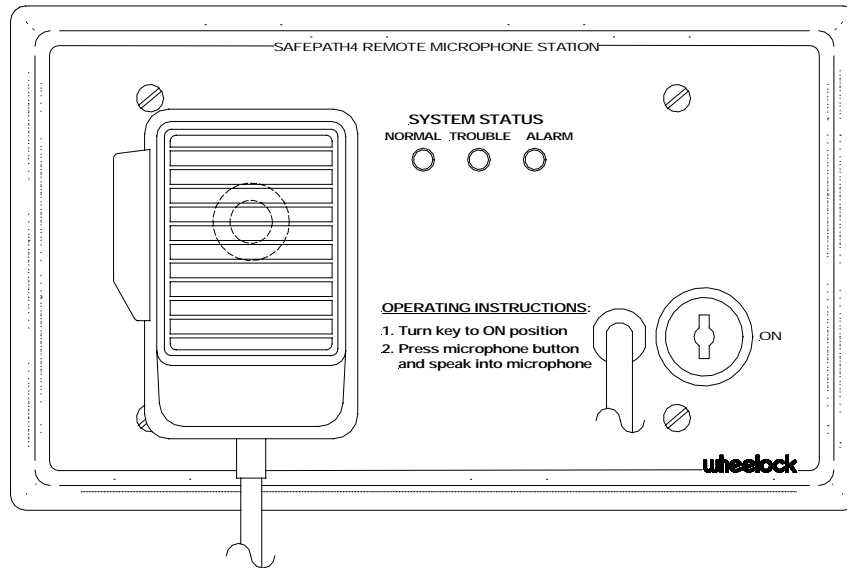


Figure 4:

Figure 4 shows the SPRM front panel and the location of the LED's.

NOTE: The green and yellow LED's reflect the system's condition regardless of the key position. The green LED indicates there are no faults in the *SPRM*. The yellow LED indicates a trouble condition has occurred in the *SPRM*. The red LED indicates the *SPRM* is ready to transmit the live voice of the operator.

1. With the mouth one to two inches from the microphone, press the microphone push-to-talk button and speak into the microphone and deliver the live audible announcement.

TROUBLE SHOOTING:

The yellow "TROUBLE" LED illuminates when there is a problem with the wiring between the *SP40S*.

The wiring problems that can occur can be improper wiring (reversed) on the Audio connections and/or CC connections. This will also provide a trouble condition on the *SP40S* panel with the system TROUBLE LED illuminated and the "AUX IN" (Auxiliary Input) LED ON. (The *SP40S* internal sounder will also sound.) If checking and/or correcting problems do not correct the trouble, then the *SPRM* should be replaced.

ANY MATERIAL EXTRAPOLATED FROM THIS DOCUMENT OR FROM COOPER WHEELLOCK MANUALS OR OTHER DOCUMENTS DESCRIBING THE PRODUCT FOR USE IN PROMOTIONAL OR ADVERTISING CLAIMS, OR FOR ANY OTHER USE, INCLUDING DESCRIPTION OF THE PRODUCT'S APPLICATION, OPERATION, INSTALLATION AND TESTING IS USED AT THE SOLE RISK OF THE USER AND COOPER WHEELLOCK WILL NOT HAVE ANY LIABILITY FOR SUCH USE.

Limited Warranty

Cooper Wheelock, Inc. products must be used within their published specifications and must be PROPERLY specified, applied, installed, operated, maintained, and operationally tested in accordance with these instructions at the time of installation and at least twice a year or more often in accordance with local, state and federal codes, regulations and laws. Specification, application, installation, operation, maintenance, and testing must be performed by qualified personnel for proper operation in accordance with all of the latest National Fire Protection Association (NFPA), Underwriters' Laboratories (UL), Underwriters' Laboratories of Canada (ULC), National Electrical Code (NEC), Occupational Safety and Health Administration (OSHA), local, state, county, province, district, federal and other applicable building and fire standards, guidelines, regulations, laws and codes including, but not limited to, all appendices and amendments and the requirements of the local authority having jurisdiction (AHJ). Cooper Wheelock, Inc. products when properly specified, applied, installed, operated, maintained, and operationally tested as provided above are warranted against mechanical and electrical defects for a period of three years from date of manufacture (as determined by date code). Correction of defects by Cooper Wheelock, Inc providing repairs or a replacement shall be at Cooper Wheelock, Inc.'s sole discretion and shall constitute fulfillment of all warranty obligations. The foregoing limited warranty shall immediately terminate in the event any part not furnished by Cooper Wheelock, Inc. is installed in the product. The foregoing limited warranty specifically excludes any software required for the operation of or included in a product. **COOPER WHEELOCK, INC. MAKES NO REPRESENTATION OR WARRANTY OF ANY OTHER KIND, EXPRESS, IMPLIED OR STATUTORY WHETHER AS TO MERCHANTABILITY, FITNESS FOR A PARTICULAR PURPOSE OR ANY OTHER MATTER.**

Users are solely responsible for determining whether a product is suitable for the user's purposes, or whether it will achieve the user's intended results. There is no warranty against damage resulting from misapplication, improper specification, abuse, accident, or other operating conditions beyond Cooper Wheelock, Inc.'s control.

Some Cooper Wheelock, Inc. products contain software. With respect to those products, Cooper Wheelock, Inc. does not warranty that the operation of the software will be uninterrupted or error-free or that the software will meet any other standard of performance, or that the functions or performance of the software will meet the user's requirements. Cooper Wheelock, Inc. shall not be liable for any delays, breakdowns, interruptions, loss, destruction, alteration, or other problems in the use of a product arising out of or caused by the software.

The liability of Cooper Wheelock, Inc. arising out of the supplying of a product, or its use, whether based on warranty, negligence, or otherwise, shall not in any case exceed the cost of correcting defects as stated in the limited warranty and upon expiration of the warranty period all such liability shall terminate. Cooper Wheelock, Inc. is not liable for labor costs incurred in removal, reinstallation, or for damage of any type whatsoever, including but not limited to, loss of profit or incidental or consequential damages. The foregoing shall constitute the sole remedy of the purchaser and the exclusive liability of Cooper Wheelock, Inc.

In no case will Cooper Wheelock, Inc.'s liability exceed the purchase price paid for a product.

Limitation of Liability

Cooper Wheelock, Inc.'s liability on any claim of any kind, including negligence, breach of warranty, or otherwise, for any loss or damage resulting from, arising out of, or connected with any contract, or from the manufacture, sale, delivery, resale, repair or use of any product shall be limited to the price applicable to the product or part thereof which gives rise to the claim. Cooper Wheelock, Inc.'s liability on any claim of any kind shall cease immediately upon the installation in the product of any part not furnished by Cooper Wheelock, Inc. In no event shall Cooper Wheelock, Inc. be liable for any claim of any kind unless it is proven that our product was a direct cause of such claim. **FURTHER, IN NO EVENT, INCLUDING IN THE CASE OF A CLAIM OF NEGLIGENCE, SHALL COOPER WHEELOCK, INC. BE LIABLE FOR INCIDENTAL, INDIRECT, SPECIAL OR CONSEQUENTIAL DAMAGES.** Some states do not allow the exclusion or limitation of incidental or consequential damages, so the preceding limitation may not apply to all purchasers.