

iGR-933 Rotating Equipment Isolation Device

Secure and protect your high value rotating equipment with the Cooper Power Systems iGR-933 Rotating Equipment Isolation Device (R.E.I.D.) Idea relay. Ensure comprehensive cyber security for rotating machines — today.

System Problem:

Need to protect high value and long lead-time rotating equipment (generators, motors, pumps, etc.) from unwanted or unauthorized manipulation of existing digital protective devices or systems, and to isolate the equipment from the power system when such manipulation is detected.

System Protection Solution:

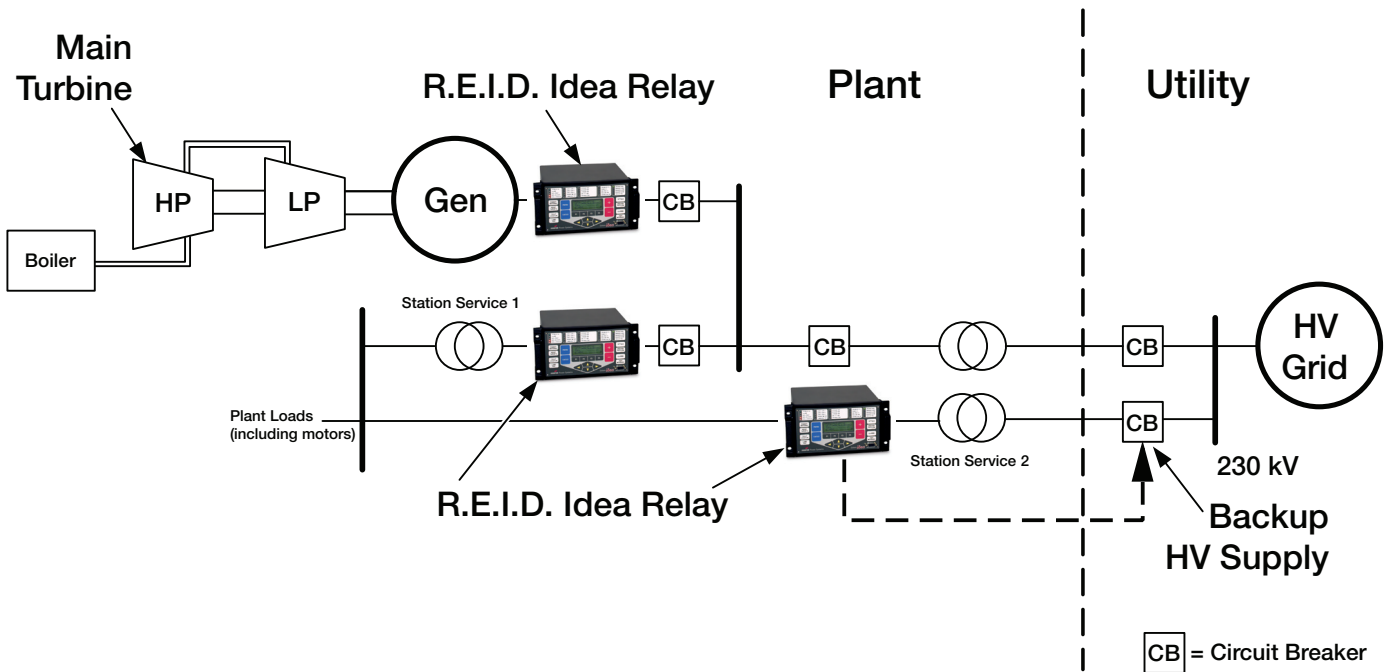
Comprehensive isolation and protection of rotating devices is now possible with the iGR-933 R.E.I.D. Idea relay. This rotating equipment isolation device (R.E.I.D.) is a cost-effective, long-term solution specifically designed to identify potential cyber attacks and take immediate action to protect and isolate the affected rotating equipment.

System Benefits:

- Independent device monitors rotating equipment to detect unwanted or unauthorized manipulation of existing digital protective devices or systems. Upon detection of an event, immediately locks out the circuit breaker (or circuit breakers in breaker-and-a-half schemes) to prevent damage to rotating machines, completely isolating it from the electric grid.
- Easily installed and integrated into existing or newer systems. Requires no expensive or time-consuming changes to the installed protective system. Does not require disabling of existing relay functions, such as communications for remote access or the breaker close function.
- Built on an existing, proven digital protective and control device platform: Cooper Power Systems' Idea relay.
- Complementary device enhances North American Electric Reliability Council (NERC) Critical Infrastructure Protection (CIP) requirement compliancy efforts.
- Addresses many of the applicable mitigation actions from the June 21, 2007 Electricity Sector Information Sharing and Analysis Center (ESISAC) Advisory:
 - Inherent strong password protection capability.
 - No communications access — to eliminate the possibility of unwanted remote access.
 - Secure and locked software program has no hidden vendor access passwords.
- Provides a long-term solution:
 - Fully developed and tested hardware and software solution — available today.
 - Can be locally programmed with no remote access to programmable logic or set points.
 - Specifically designed to detect cyber attacks on rotating equipment.
- Fully tested via Real Time Digital Simulator (RTDS®) and actual live tests at the Department of Energy's Idaho National Labs in 2007.

iGR-933 Rotating Equipment Isolation Device

R.E.I.D. Idea Relay



Contact your Cooper Power Systems representative or call 1-877-CPS-INFO to learn more about the iGR-933 R.E.I.D. Idea relay.

Cooper Power Systems
1045 Hickory Street
Pewaukee, WI 53072
P: 877-CPS-INFO
www.cooperpower.com