

**SURE-LITES®**

***Architectural  
Emergency  
Light***



***THE NEW SHAPE OF  
EMERGENCY LIGHTING***

**COOPER**  Lighting

Designed and engineered with style in mind, the Sure-Lites Architectural Emergency Light has a sconce shape that blends in with all decorative spaces. The light's elegant lines and form provide an attractive alternative to standard emergency lighting fixtures. In addition, its designer finishes enhance and complement the most sophisticated locations by providing architectural presence. Ideal for restaurants, offices, schools, and retail spaces, the Sure-Lites Architectural Emergency Light provides the necessary life safety equipment without compromising aesthetics.



**AEL1WHSD**

### **Sure-Lites Architectural Emergency Light - Offering a Performance Edge**

- Durable **die-cast aluminum housing** with designer finishes (silver, white, black and bronze)
- Three high-output **Xenon lamps** deliver 30' center-to-center spacing
- **Interior & exterior applications** with temperature rating from -4°F to 104°F (-20°C to 40°C)
- **Wet location listed** (UL 924)
- Watchguard EMS **self-diagnostics** and Fas-Test™ photocell switch for **remote testing**
- Sealed **Ni-Cad batteries** with 15 year life expectancy\*



**AEL1BKSD**



**AEL1BZSD**

## ARCHITECTURAL EMERGENCY LIGHT STANDARD FEATURES

(AEL1SD shown)

**Indoor/Outdoor Versatility**  
Wide Operating Temperature Range,  
Silicone Gaskets (water tight seal)

**Flexible Installation**  
Universal Wall Mounting, 1/2" Threaded Conduit Access

**Durable Construction**  
Die-Cast Aluminum Housing,  
Impact Resistant Polycarbonate Lens

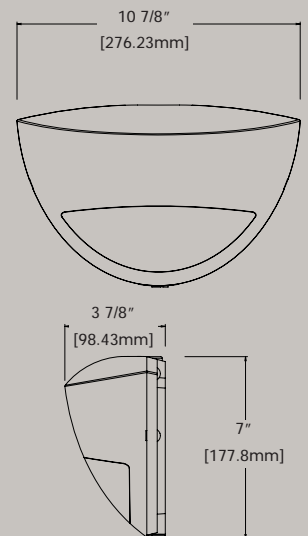
**Quality Optics**  
Segmented Metalized Reflector,  
3 High Performance Xenon Lamps

**Dependable Power**  
15 year Ni-Cad Batteries\*

**Advanced Diagnostics**  
Self-Diagnostics System,  
Remote Testing



### Dimensions



### Electrical Ratings

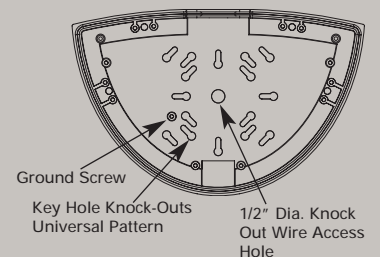
Model	Rated Wattage to 87 1/2% of Rated D.C. Voltage		Lamp Information			
	DC Voltage	1 1/2 Hours	Type	Wattage	Number	Spacing
AEL1SD	6	18	Xenon	6	11549423	30'

### Ordering Information

SAMPLE NUMBER: AEL1SD

<b>AEL1</b>		<b>SD</b>		<b>Accessories (order separately)</b>
<b>Family</b> AEL1=Architectural Emergency Light	<b>Housing Finishes</b> Blank=Silver BK=Black BZ=Bronze WH=White	<b>SD=Self Diagnostics (Standard)</b>	<b>Options</b> TDM=Time Delay Monitor	<b>LASER=Key Chain, Red Laser Pointer (activation tested at 30 feet)</b>

### Mounting Base



The "Rule of Thumb" spacing guidelines are designed to achieve 1 foot-candle average and 0.1 foot-candle minimum with a 40:1 maximum/minimum ratio. The corridor used is 100 feet long, 9 foot ceiling with a 6 foot wide walkway and 3 foot path of egress. The reflectances are 80% ceiling, 50% walls and 20% floors. The fixture mounting height is 8.5 feet. Cooper Lighting assumes no responsibility for local requirements or specific project variables. This is a guideline to be used as a design aid, not as guarantee of any code compliance.

\*Maintenance free, sealed nickel cadmium batteries carry a fifteen-year pro-rata warranty.



**CUSTOMER FIRST CENTER**

1121 HIGHWAY 74 SOUTH  
PEACHTREE CITY, GEORGIA 30269  
TEL 770 486 4800  
FAX 770 486 4801

**Domestic Facilities, USA**

Cranbury, New Jersey  
Elk Grove Village, Illinois  
Irving, Texas  
Ontario, California  
Peachtree City, Georgia

**International Sales, USA**

Peachtree City, Georgia

**CANADA**

Cooper Lighting  
5925 McLaughlin Road  
Mississauga, Ontario L5R 1B8  
TEL 905 507 4000  
FAX 905 568 7049

**Domestic Facilities, Canada**

Calgary, Alberta  
Chomedey, Laval P.Q.

Specifications are subject to  
change without notice.

Cooper Lighting, Inc.  
All rights reserved  
Printed in USA

**The Cooper Lighting Family**

**Halo**

**Cooper Lighting - Metalux**

**Cooper Lighting - Lumark**

**Cooper Lighting - Sure-Lites**

**Neo-Ray**

**Corelite**

**Portfolio**

**Iris**

**Shaper**

**Lumière**

**Invue**

**McGraw-Edison**

**Fail-Safe**

**MWS**

**DLS**

**RSA**

**Ametrix**

