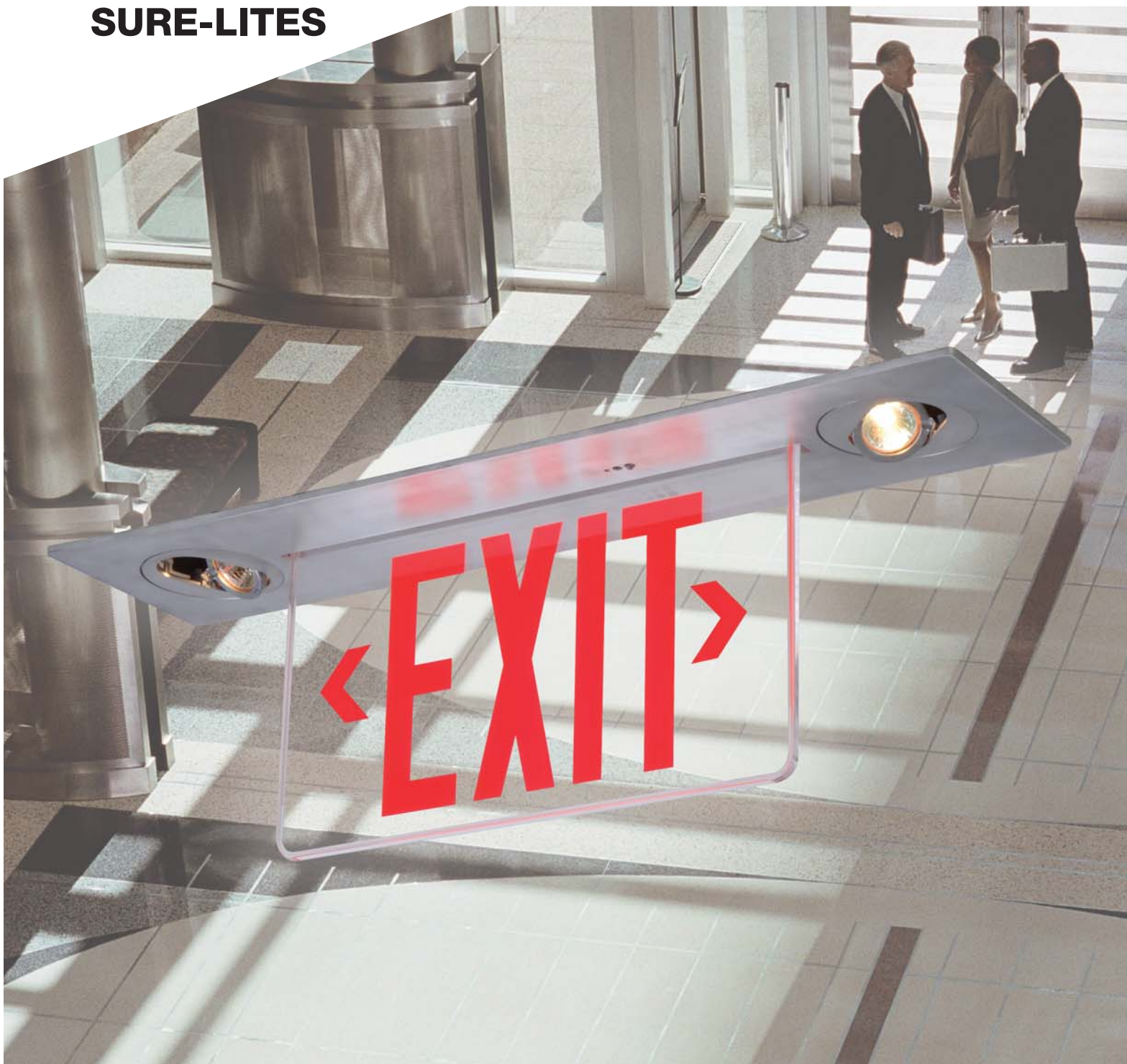


SURE-LITES



***A NEW LOOK FOR EXIT
AND EMERGENCY LIGHTING***

ELC Series
Edge-Lit Combo

COOPER Lighting

SURE-LITES

The Edge-Lit Combo (ELC) Series is the first Sure-Lites architectural grade emergency fixture that combines both an exit sign and emergency lights. When compared to similar units, the ELC offers a much smaller, less conspicuous footprint while providing state-of-the-art electrical design and the latest lamping technology.

The ELC is a recessed combo that includes powerful MR11 emergency lamps and energy efficient exit sign LEDs. A patented snap-in clear acrylic lens with a universal face and field installed chevrons simplifies ordering and installation. Standard features for this fixture include code approved self diagnostics and laser testing along with remote battery capacity to power additional lamps. The ELC is available in either brushed aluminum (standard) or an optional white powder coat finish.

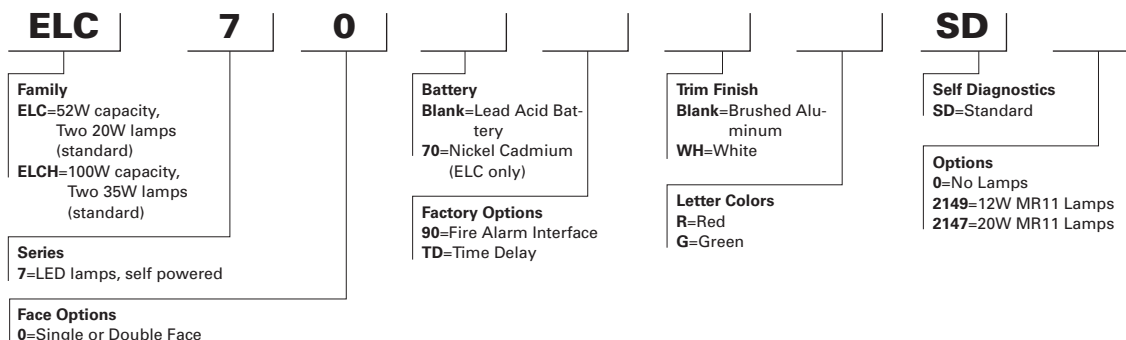
Sure-Lites Edge-Lit Combo - Offering a Performance Edge

- * Specification grade **brushed aluminum face plate**
- * High impact injection molded **clear acrylic panel** with field installed chevrons
- * Energy efficient **exit sign LEDs** along with powerful **MR11 emergency lights** that deliver up to 75' spacing
- * Dependable batteries with **remote capacity** to power additional lamps
- * Standard features include **self diagnostics** and **remote laser testing**



Ordering Information

SAMPLE NUMBER: ELC70RSA

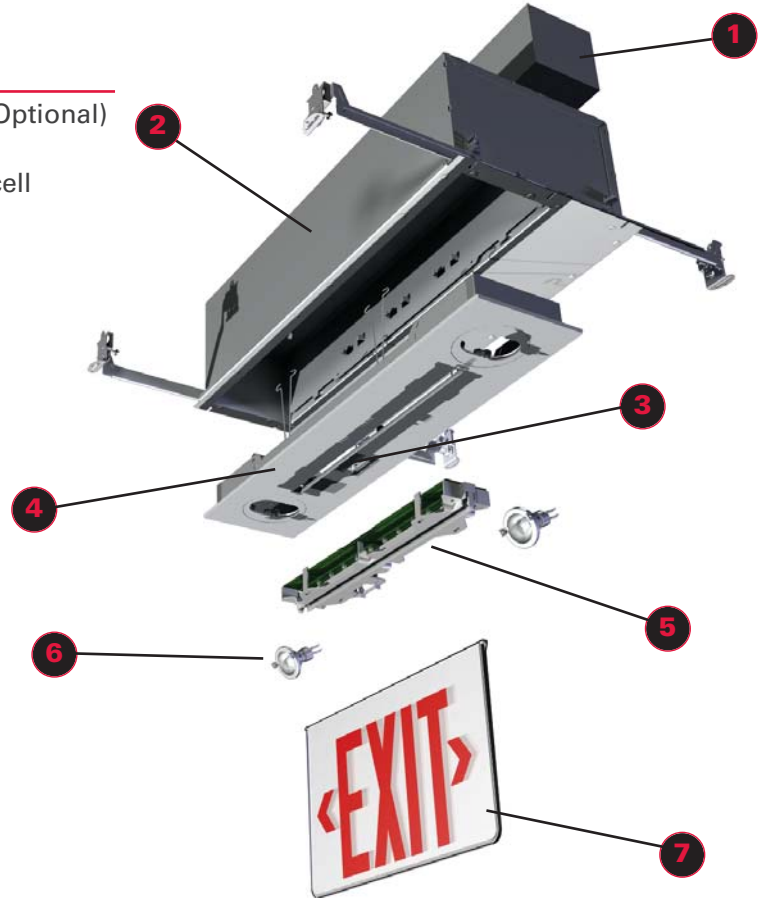




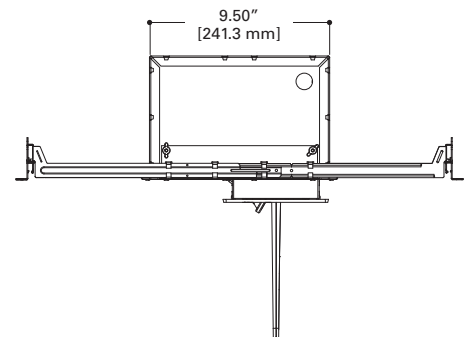
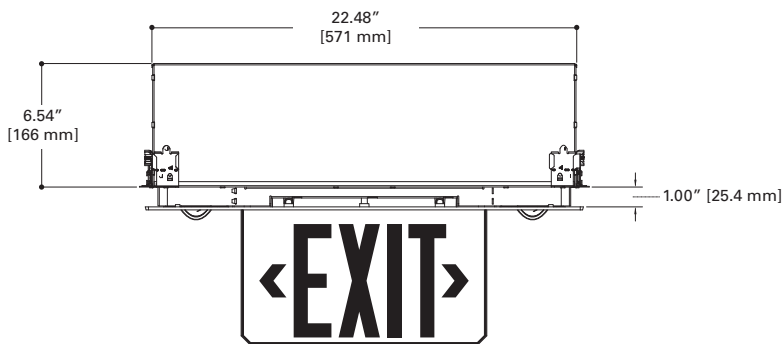
ELC Edge-Lit Combo

Standard Features

1. Sealed Lead Calcium Batteries (NiCad Batteries Optional)
2. Galvanized Steel Back Box
3. Watchguard Self Diagnostics and FasTest Photocell (Remote Testing)
4. Brushed Aluminum Faceplate
5. Energy Efficient LED Lamping
6. Powerful MR11 Lamping (up to 75' Spacing)
7. Clear Acrylic Panel with Field Installed Chevrons



Dimensions



Electrical Ratings

Rated Wattage			Lamp Information			
Model	DC Voltage	1 1/2 Hours	Type	Wattage	Number	Spacing*
ELC	12	52	MR11	12	2149	35'
ELCH	12	100	MR11	20	2147	55'
			MR11	35	2148	75'

* The "Rule of Thumb" spacing guidelines are designed to achieve 1 foot-candle average and 0.1 foot-candle minimum with a 40:1 maximum/minimum ratio. The corridor used is 100 feet long, 9 foot ceiling with a 6 foot wide walkway and 3 foot path of egress. The reflectances are 80% ceiling, 50% walls and 20% floors. Cooper Lighting assumes no responsibility for local requirements or specific project variables. This is a guideline to be used as a design aid, not as guarantee of any code compliance.

Cooper Lighting

Customer First Center
1121 Highway 74 South
Peachtree City, GA 30269

P: 770-486-4800
F: 770-486-4801

www.cooperlighting.com

International Sales, USA

Cooper Lighting
1121 Highway 74 South
Peachtree City, GA 30269

P: 770-486-4800
F: 770-486-4801

Canada

Cooper Lighting
5925 McLaughlin Road
Mississauga, Ontario L5R 1B8

P: 905-507-4000
F: 905-568-7049

The Cooper Lighting Family

Halo
Metalux
Lumark
Sure-Lites
Neo-Ray
Corelite
Portfolio
Iris
Shaper
io
Lumière
Invue
McGraw-Edison
Streetworks
Fail-Safe
MWS
DLS
RSA
Ametrix

Domestic Facilities

Cranbury, New Jersey
Elk Grove Village, Illinois
Irving, Texas
Ontario, California
Peachtree City, Georgia

Canadian Facility

Calgary, Alberta T2E 7V9

Cooper Lighting, Sure-Lites and FasTest are valuable trademarks of Cooper Industries in the United States and other countries.
You are not permitted to use the Cooper Trademarks without the prior written consent of Cooper Industries.

Cooper Industries, Ltd.
600 Travis, Ste. 5800
Houston, TX 77002-1001
P: 713-209-8400
www.cooperindustries.com