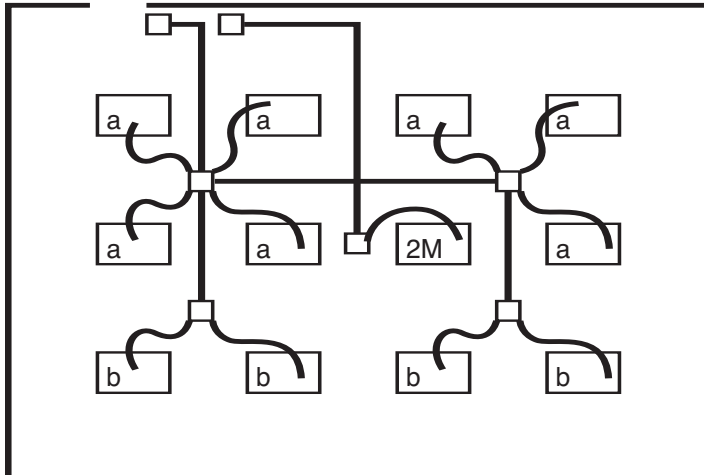


When it comes to wiring classrooms, MWS saves time and money compared to hardwiring.

Do the Math!

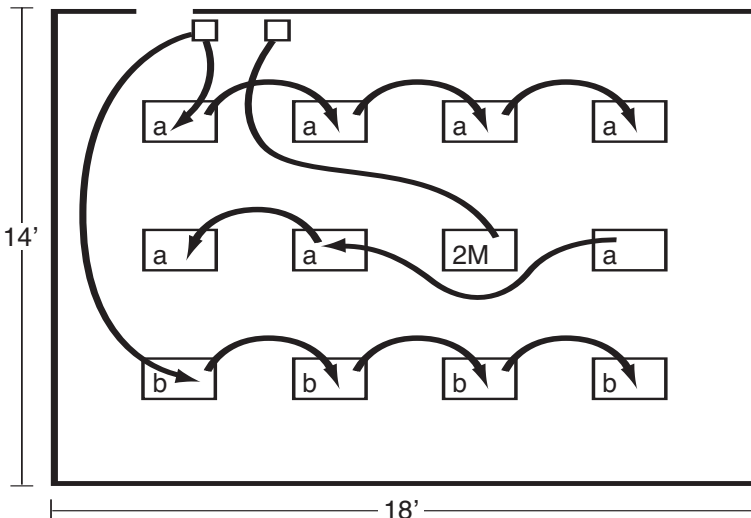
TYPICAL CLASSROOM – PIPE AND WIRE



PIPE AND WIRE

QTY	MATERIAL	EA.	EXT.
60 FT.	1/2" EMT	\$42 FT.	\$25.20
252 FT.	#12 THHN	\$.08 FT.	\$20.16
2	1/2" COUPLINGS	\$.35	\$.70
10	1/2" COUPLINGS	\$.35	\$3.50
5	J-BOX/COVERS	\$1.30	\$6.50
12	FIXTURE WHIPS	\$3.90	\$46.80
			<u>\$102.86</u>
LABOR @\$40 HR.			
12	.75 HR. EA.	\$30.00	\$360.00
			<u>TOTAL COST \$462.86</u>

TYPICAL MC CABLE OR MWS



MC CABLE

QTY	MATERIAL	EA.	EXT.
152 FT.	12/2G MC	\$.52 FT.	\$79.04
28	MC FITTINGS	\$.35	\$9.80
36	WIRE NUTS	\$.07	\$2.52
			<u>\$95.28</u>
LABOR @\$40 HR.			
12	.43 HR. EA.	\$17.20	\$206.40
			<u>TOTAL COST \$301.68</u>

MWS

QTY	MATERIAL	EA.	EXT.
12.	12FC12/2G09	\$14.85	\$178.20
2	12ST12/2G	\$7.00	\$14.00
3	12EC12/2G11	\$16.20	\$48.60
			<u>\$240.80</u>
LABOR @\$40 HR.			
12	.103 HR. EA.	\$3.61	\$43.26
			<u>TOTAL COST \$284.06</u>

- 24% of the labor required for MC
 - 13% of the labor required for pipe
- Lowest total installed cost of any wiring option**

MWS is UL listed and meets all the requirements of 2005 NEC **including** 410.73 (9) requirement for a fixture disconnect

Class of 2007

Wiring classroom fixtures with MWS is simple....

Estimating and ordering MWS is just as easy.

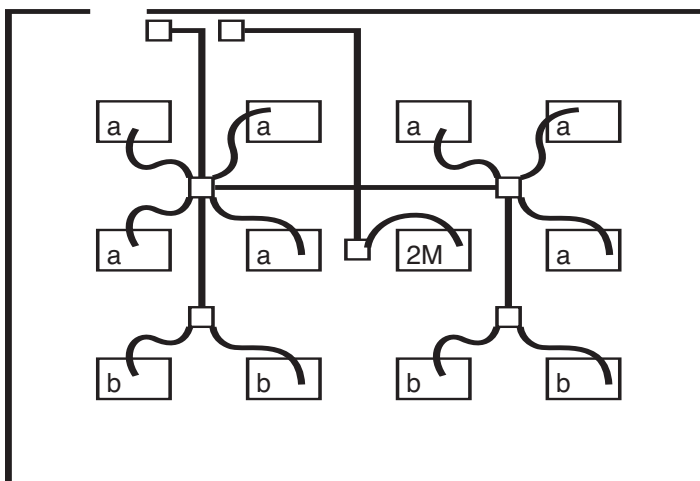
As easy as ordering MC cable.

Simply order 1 “MWFC12/2G10DW” for every classroom fluorescent fixture to be wired. (MWFC12/3G10DW for Dual level).

First, estimate

- Step 1** Count the fixtures to be wired
- Step 2** Multiply fixture count by MWFC12/2G10DW @ \$20.55 each (suggested dist. resale)
Total MWS material
 $12 \times 20.55 = \$246.60$

Typical Hardwired Classroom



Second, order MWS

- 12 MWFC12/2G10DW
- 12 @ \$20.55 each = \$246.60
- Receive,
- a drawing with,
- 2 12ST12/2G
- 12 12FC12/2G11
- 1 12EC12/2G11
- 1 12SP12/4G

or

- 12 MWF12/3G10DW FOR DUAL LEVEL
- 12 @ \$22.25 each = \$267.00
- Receive,
- a drawing with
- 2 12ST12/3G
- 12 12FC12/3G11
- 1 12EC12/3G11
- 1 12SP12/4G

THEN SIMPLY MULTIPLY THE NUMBER OF CLASSROOMS TO BE WIRED

(For 277V Lighting, substitute “27” for “12”)

Cooper Lighting guarantees MWFC12/2G10DW provides all MWS material required for a complete installation. (Single level fixtures on 10ft. spacing).

For Dual level single lighting use MWFC12/3G10DW \$22.25 per fixture

NOTE:

For classroom lay-in fluorescent only. Emergency circuit not included.

Installer to attach 2CA211 to fixture at job site. Include adder for factory attached by Metalux.

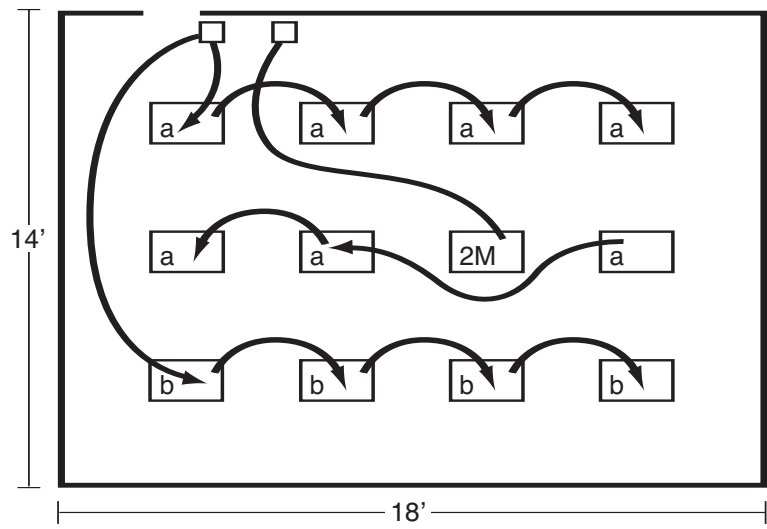
MWS Switch Drops not included. Installer to hardwire power to classroom switch box and switched power to J-Box above ceiling.

or order MWS without factory drawing, field install and \$ave

	For one classroom	For 300 fixtures
1 Starter per 8 fixtures	2 12ST12/2G	38 12ST12/2G
1 Fixture Cable per fixture	12 12FC2/2G11	300 12FC12/2G11
1 Extender per 15 fixtures	1 12EC12/2G11	20 12EC12/2G11
1 Splitter per 25 fixtures	1 12SP12/4G	12 12SP12/4G

If any additional MWS Starters, Extender Cable or Splitters are required, Cooper Lighting will ship them at no additional cost – **GUARANTEED!**

Wired with MWS



**Then install,
just like MC cable**

During the Rough-in

- Hardwire unswitched power to the classroom switch box and switched power to junction box above drop ceiling.
- Install 1 12ST12/2G Starter per home run. Connect to appropriate switch function.

Then wait for the finish phase

- Unpack the lighting fixtures and attach the 12FC12/2G11 to the ballast leads using the poke home connectors provided by MWS.
- Begin installing fixtures from the last fixture and work toward the switches. When moving forward to the next fixture, pull the 12FC12/2G11 cable along and plug into the next fixture.
- Extend the 12FC12/2G11 with a 12EC12/2G11
- All unused outlet require a dust cover, supplied by MWS.

Factory labor and drawings
not included

MWS Component Pricing

XX= Voltage
12/120V 27/277 34/347 20/208 48/480V

Starters		12/2G	Cost	12/3G	Cost	12/4G	Cost
		XXST12/2G	\$7.40	XXST12/3G	\$7.85	XXST12/4G	\$8.30
		XXST12/2G21	\$24.45	XXST12/3G21	\$27.95	XXST12/4G21	\$34.95
Extender Cables			Cost		Cost		Cost
		XXEC12/2G05	\$12.80	XXEC12/3G05	\$13.35	XXEC12/4G05	\$15.75
		XXEC12/2G07	\$14.25	XXEC12/3G07	\$15.20	XXEC12/4G07	\$18.35
		XXEC12/2G09	\$15.70	XXEC12/3G09	\$16.95	XXEC12/4G09	\$20.25
		XXEC12/2G11	\$17.15	XXEC12/3G11	\$18.80	XXEC12/4G11	\$22.70
		XXEC12/2G13	\$18.60	XXEC12/3G13	\$20.65	XXEC12/4G13	\$25.20
		XXEC12/2G15	\$20.15	XXEC12/3G15	\$22.45	XXEC12/4G15	\$27.60
		XXEC12/2G17	\$21.60	XXEC12/3G17	\$24.30	XXEC12/4G17	\$30.10
		XXEC12/2G19	\$23.00	XXEC12/3G19	\$26.15	XXEC12/4G19	\$32.40
		XXEC12/2G21	\$24.45	XXEC12/3G21	\$27.95	XXEC12/4G21	\$34.95
		XXEC12/2G26	\$28.00	XXEC12/3G26	\$32.50	XXEC12/4G26	\$42.30
		XXEC12/2G31	\$31.65	XXEC12/3G31	\$37.15	XXEC12/4G31	\$47.15
		XXEC12/2G36	\$35.25	XXEC12/3G36	\$41.70	XXEC12/4G36	\$53.15
		XXEC12/2G41	\$38.80	XXEC12/3G41	\$46.30	XXEC12/4G41	\$59.50
Fixture/Power Fittings							
		XXFF12/2G	\$7.65	XXFF12/3G	\$7.95	XXFF12/4G	\$8.30
		XXPF12/2G	\$7.65	XXPF12/3G	\$7.95	XXPF12/4G	\$8.30
Fixture Cables 120/277/347 only			Cost		Cost		Cost
		XXFC12/2G09	\$15.70	XXFC12/3G09	\$16.95	XXFC12/4G09	\$20.25
		XXFC12/2G11	\$17.15	XXFC12/3G11	\$18.80	XXFC12/4G11	\$22.70
		XXFC12/2G13	\$18.60	XXFC12/3G13	\$20.65	XXFC12/4G13	\$25.20
		XXFC12/2G15	\$20.15	XXFC12/3G15	\$22.45	XXFC12/4G15	\$27.60
		XXFC12/2G17	\$21.60	XXFC12/3G17	\$24.30	XXFC12/4G17	\$30.10
Starter Fixture Cables 120/277/347 only		1 Circuit	Cost	2 Circuit	Cost	3 Circuit	Cost
		XXSF12/2G09	\$15.70	XXSF12/3G09	\$16.95	XXSF12/4G09	\$20.25
		XXSF12/2G15	\$20.15	XXSF12/3G15	\$22.45	XXSF12/4G15	\$27.60
		XXSF12/2G21	\$24.45	XXSF12/3G21	\$27.95	XXSF12/4G21	\$34.95
Switch Drops 120/277/347 only		1 Circuit	Cost	2 Circuit	Cost	3 Circuit	Cost
		XXSDSL01	\$16.95	XXSDDL01	\$18.20	XXSD3L01	\$18.95
		XXSDSL01N	\$18.20				
		XXSDSL09	\$22.25	XXSDDL09	\$23.65	XXSD3L09	\$25.80
		XXSDSL15	\$27.45	XXSDDL15	\$33.95	XXSD3L15	\$32.15
Splitters		1 Circuit	Cost	2 Circuit	Cost	3 Circuit	Cost
		XXSP12/4G	\$10.95	XXSP12/4G	\$10.95	XXSP12/4G	\$10.95
T SO Cord		1 Circuit	Cost	2 Circuit	Cost	3 Circuit	Cost
		XXTS12/2G03	\$14.30	XXTS12/3G03	\$15.00	XXTS12/4G03BK	\$16.40
		XXTS12/2G06	\$16.50	XXTS12/3G06	\$17.95	XXTS12/4G06BK	\$21.25
		XXTS12/2G11	\$19.90	XXTS12/3G11	\$21.75	XXTS12/4G11BK	\$24.50
Drop SO Cord		1 Circuit	Cost	1 Circuit	Cost	1 Circuit	Cost
		XXDS16/2G03	\$11.25	XXDS16/3G03	\$12.65	XXDS16/4G03	\$14.30
		XXDS16/2G06	\$14.60	XXDS16/3G06	\$15.60	XXDS16/4G06	\$19.30
		XXDS16/2G11	\$17.95	XXDS16/3G11	\$18.80	XXDS16/4G11	\$22.00
Circuiting Ts		1 Circuit	Cost	2 Circuit	Cost	3 Circuit	Cost
		XXCT12/4GBK	\$10.95	XXCT12/4GBK	\$10.95	XXCT12/4GBK	\$10.95
		XXCT12/4GRD	\$10.95	XXCT12/4GRD	\$10.95	XXCT12/4GRD	\$10.95
		XXCT12/4GBU	\$10.95	XXCT12/4GBU	\$10.95	XXCT12/4GRD	\$10.95
T Cables		1 Circuit	Cost	2 Circuit	Cost	3 Circuit	Cost
		XXTC12/2G01	\$10.95	XXTC12/3G01	\$12.20	XXTC12/4G01	\$17.80
		XXTC12/2G09	\$15.70	XXTC12/3G09	\$16.95	XXTC12/4G09	\$20.25
		XXTC12/2G11	\$17.15	XXTC12/3G11	\$18.80	XXTC12/4G11	\$22.70
Drop Cables		1 Circuit	Cost	2 Circuit	Cost	3 Circuit	Cost
		XXDC12/2G09	\$15.70	XXDC12/3G09	\$16.95	XXDC12/4G09	\$20.25
		XXDC12/2G11	\$17.15	XXDC12/3G11	\$18.80	XXDC12/4G11	\$22.70
Factory Services							
		MWDRAW	\$1.65	MWDRAW	\$1.65	MWDRAW	\$1.65
		MWLABOR	\$2.00	MWLABOR	\$2.00	MWLABOR	\$2.00