

## Coronado 1610 / 1620

Integral HID Architectural Outdoor

1610 • accent / flood



**CORONADO 1610**

- 20 & 39 Watt Metal Halide MR16
- 180° x 360° aiming
- Integral electronic ballast
- 120V only due to small size  
Other voltages available with model 1620
- Patent pending thermal isolation technology  
keeps the ballast running cool
- Dual-lock aiming



## 1610 • accent / flood

## Integral Ballast HID

## 1610

The Coronado 1610 is a great solution for many of the challenges inherent with electronic HID ballasts. One of the largest benefits of keeping the ballast and lamp together is the elimination of multiple remote distances by ballast manufacturer and by wattage. Previously, the only solution available was to use a ballast box attached to the fixture head, which adds hardware and reduces the overall aesthetic of the fixture.

Now, the Coronado 1610 offers the solution by placing the ballast into the fixture. Lumière's patent pending thermal isolation system allows the lamp and ballast to be very close to each other, while managing the heat from the lamp to keep the ballast cool, all within a very small enclosure.

The Coronado 1610 also features a dual-lock aiming system, that utilizes two stainless steel locking fasteners to securely lock the fixture aiming in place.

The fixture is offered in either painted aluminum or natural stainless steel. The fixture can be aimed 180° x 360° and securely locked on both axis to maintain the design intent.

Hood is removable for easy relamping and accepts up to three internal accessories at once (lenses, louvers, filters) to achieve multiple lighting effects. Weep holes on model 1610 prevent water and mineral stains from collecting on the lens, even in the straight-up position.

Housing and hood are sealed with a high temperature silicone o-ring gasket to prevent water intrusion.

Tempered glass lens, factory sealed with high temperature adhesive to prevent water intrusion and breakage due to thermal shock.

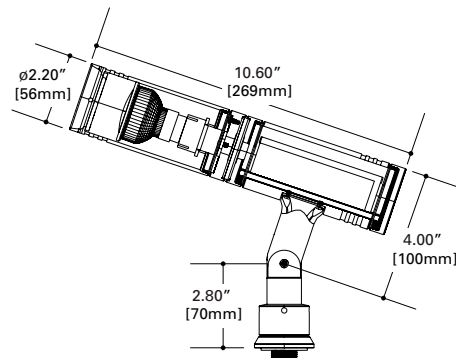
Stainless steel hardware is standard to provide maximum corrosion-resistance.

Ceramic socket with 250°C Teflon® coated lead wires and GX10 two-pin twist and lock base.

Integral electronic ballasts are standard. Due to the compact nature of the 1610, only 120V ballasts are available. If higher input voltage is required, utilize model 1620 (the next size up). Model 1620 comes standard with an integral electronic universal input ballast (120-277, 50/60Hz).

Lamps are not included. Available from Lumière as an accessory.

Lumière warrants its fixtures against defects in materials & workmanship for three (3) years. Auxiliary equipment such as transformers, ballasts and lamps carry the original manufacturer's warranty.



## ORDERING

## FIXTURE

1610 = Coronado HID accent/flood fixture with integral ballast

## SOURCE

MH20MR16 = 20W Metal Halide MR16

MH39MR16 = 39W Metal Halide MR16

## VOLTAGE

120 = 120 Volt Electronic Ballast

## FINISH

BK = Black

BZ = Bronze

CS = City Silver

VE = Verde

WT = White

NSS = Natural Stainless Steel

## ACCESSORIES

F71 = Peach Dichroic Filter - 2.00" diameter

F72 = Amber Dichroic Filter - 2.00" diameter

F73 = Green Dichroic Filter - 2.00" diameter

F74 = Medium Blue Dichroic Filter - 2.00" diameter

F75 = Yellow Dichroic Filter - 2.00" diameter

F76 = Red Dichroic Filter - 2.00" diameter

F77 = Dark Blue Dichroic Filter - 2.00" diameter

F78 = Light Blue Dichroic Filter - 2.00" diameter

F79 = Neutral Density Dichroic Filter - 2.00" diameter

F80 = Magenta Dichroic Filter - 2.00" diameter

F22 = Red Color Filter - 2.00" diameter

F33 = Blue Color Filter - 2.00" diameter

F44 = Green Color Filter - 2.00" diameter

F55 = Yellow Color Filter - 2.00" diameter

F66 = Mercury Vapor Color Filter - 2.00" diameter

LSL = Lineal Spread Lens, 2.00" diameter

OSL = Overall Spread Lens, 2.00" diameter

DIF = Diffused Lens, 2.00" diameter

LVR = Hex Cell Louver, 2.00" diameter

FH203 = 45° angled glare shield

FH204 = Straight glare shield

Note: Up to three accessories (lenses, louvers or filters) can be used at once to create multiple lighting effects.



PROJECT NAME:

TYPE:

CATALOG #:

Specifications and dimensions subject to change without notice.

## 1620 • accent / flood



### **CORONADO 1620**

- 20 & 39 Watt Metal Halide MR16
- 20 & 39 Watt Metal Halide PAR20
- 20 & 39 Watt Metal Halide T4.5
- 39 & 70 Watt Metal Halide T6
- 180° x 360° aiming
- Integral electronic ballast
- Universal voltage input 120-277, 50/60 Hz
- Patent pending thermal isolation technology keeps the ballast running cool
- Dual-lock aiming
- Toolless optic and relamping



## Integral Ballast HID

### 1620

The Coronado 1620 is slightly larger than the 1610 and offers a greater variety of lamp options. The 1620 is also a great solution for many of the challenges inherent with electronic HID ballasts. One of the largest benefits of keeping the ballast and lamp together is the elimination of multiple remote distances by ballast manufacturer and by wattage. Previously, the only solution available was to use a ballast box attached to the fixture head, which adds hardware and reduces the overall aesthetic of the fixture.

The Coronado 1620 offers a solution by housing the ballast in the fixture. Lumière's patent pending thermal isolation system allows the lamp and ballast to be very close to each other, while managing the heat from the lamp to keep the ballast cool, all within a very small enclosure.

The Coronado 1620 also features a dual-lock aiming system, that utilizes two stainless steel locking fasteners to securely lock the fixture aiming in place. Additionally, the 1620 also offers toolless optic replacement and toolless lamp replacement.

The fixture is offered in either painted aluminum or natural stainless steel. The fixture can be aimed 180° x 360° and securely locked on both axis to maintain the design intent.

Hood is removable for easy relamping and accepts up to three internal accessories at once (lenses, louvers, filters) to achieve multiple lighting effects. Weep holes on model 1620 prevent water and mineral stains from collecting on the lens, even in the straight-up position.

Housing and hood are sealed with a high temperature silicone o-ring gasket to prevent water intrusion.

Tempered glass lens, factory sealed with high temperature adhesive to prevent water intrusion and breakage due to thermal shock.

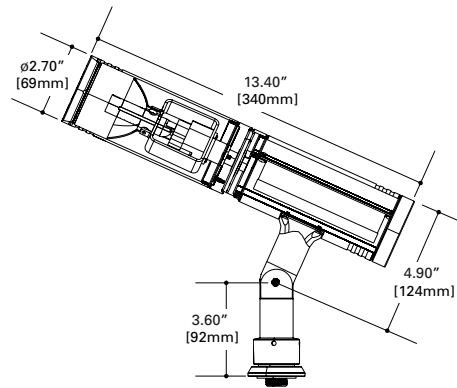
Stainless steel hardware is standard to provide maximum corrosion-resistance.

Sockets for all lamp types are ceramic with 250°C Teflon coated lead wires. Metal halide MR16 lamps utilize GX10 two-pin twist and lock base. Metal Halide PAR20 lamps utilize a medium base. Metal halide T4.5 & T6 lamps utilize a G12 bi-pin base.

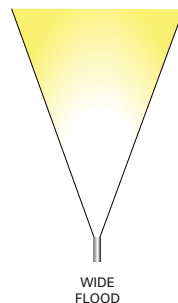
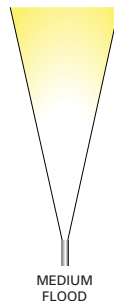
Integral electronic ballasts are standard. Model 1620 comes standard with an integral electronic universal input ballast (120-277, 50/60Hz).

Lamps are not included. Available from Lumière as an accessory.

Lumière warrants its fixtures against defects in materials & workmanship for three (3) years. Auxiliary equipment such as transformers, ballasts and lamps carry the original manufacturer's warranty.



#### T4 & T6 OPTICS



## ORDERING

### FIXTURE

1620 = Coronado HID accent/flood fixture with integral ballast

### SOURCE

MH20MR16 = 20W Metal Halide MR16  
 MH39MR16 = 39W Metal Halide MR16  
 MH20PAR20 = 20W Metal Halide PAR20  
 MH39PAR20 = 39W Metal Halide PAR20  
 MH20T4 = 20W Metal Halide T4  
 MH39T4 = 39W Metal Halide T4  
 MH39T6 = 39W Metal Halide T6  
 MH70T6 = 70W Metal Halide T6

### VOLTAGE

UNV = 120 through 277 Volts, 50/60 Hz

### OPTICS (T4 & T6 Only)

SP = Spot  
 MFL = Medium Flood  
 WFL = Wide Flood

### FINISH

BK = Black  
 BZ = Bronze  
 CS = City Silver  
 VE = Verde  
 WT = White  
 NSS = Natural Stainless Steel

### ACCESSORIES

F71-20 = Peach Dichroic Filter - 2.50" diameter  
 F72-20 = Amber Dichroic Filter - 2.50" diameter  
 F73-20 = Green Dichroic Filter - 2.50" diameter  
 F74-20 = Medium Blue Dichroic Filter - 2.50" diameter  
 F75-20 = Yellow Dichroic Filter - 2.50" diameter  
 F76-20 = Red Dichroic Filter - 2.50" diameter  
 F77-20 = Dark Blue Dichroic Filter - 2.50" diameter  
 F78-20 = Light Blue Dichroic Filter - 2.50" diameter  
 F79-20 = Neutral Density Dichroic Filter - 2.50" diameter  
 F80-20 = Magenta Dichroic Filter - 2.50" diameter  
 F22-20 = Red Color Filter - 2.50" diameter  
 F33-20 = Blue Color Filter - 2.50" diameter  
 F44-20 = Green Color Filter - 2.50" diameter  
 F55-20 = Yellow Color Filter - 2.50" diameter  
 F66-20 = Mercury Vapor Color Filter - 2.50" diameter  
 LSL-20 = Lineal Spread Lens, 2.50" diameter  
 OSL-20 = Overall Spread Lens, 2.50" diameter  
 DIF-20 = Diffused Lens, 2.50" diameter  
 LVR-20 = Hex Cell Louver, 2.50" diameter  
 FH20 = 45° angled glare shield

Note: Up to three accessories (lenses, louvers or filters) can be used at once to create multiple lighting effects.



PROJECT NAME:

TYPE:

CATALOG #:

Specifications and dimensions subject to change without notice.

# ACCESSORIES

## Mounting Fixtures in Trees

Lumière now offers a new, tree-friendly style of mounting for use with line voltage systems, like the 1610 and 1620. The new TR09 tree ring is a perfect match to the integrally ballasted Coronado products (1610 & 1620), as there is no need for any ballast boxes in the tree and only one power feed conduit run is needed to feed up to six fixture heads. The TR09 is constructed of stainless steel and is designed for tree diameters between 18 and 24 inches.

We also offer self adjusting tree straps, the TS01 series, for use with line voltage fixtures, such as the 1610 and 1620. The TS01 series can accommodate up to six fixtures and is manufactured from stainless steel. The TS01 has a unique self adjusting strap that grows with the tree over time.

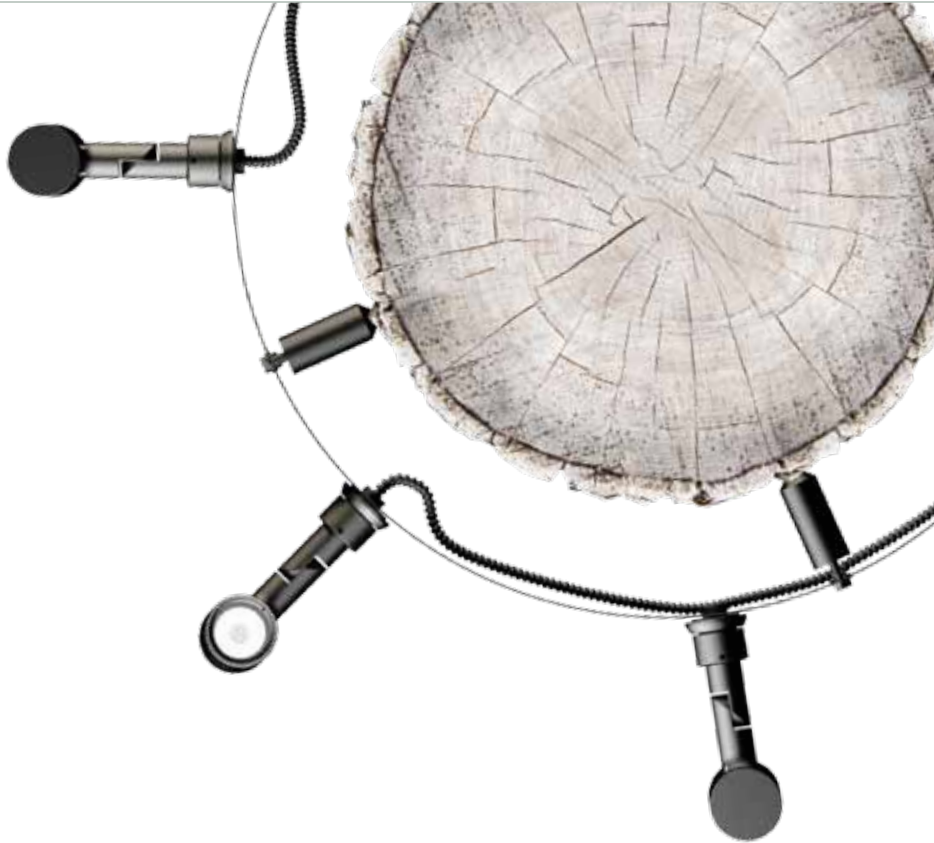
## ORDERING

### Tree Rings with adjustable stand offs (line voltage fixtures)

- TR09 = Tree Ring with 1 fixture mount
- TR09-2 = Tree Ring with 2 fixture mounts
- TR09-3 = Tree Ring with 3 fixture mounts
- TR09-4 = Tree Ring with 4 fixture mounts
- TR09-5 = Tree Ring with 5 fixture mounts
- TR09-6 = Tree Ring with 6 fixture mounts

### Tree Straps with self adjusting straps (line voltage fixtures)

- TS01 = Tree Strap with 1 fixture mount
- TS01-2 = Tree Strap with 2 fixture mounts
- TS01-3 = Tree Strap with 3 fixture mounts
- TS01-4 = Tree Strap with 4 fixture mounts
- TS01-5 = Tree Strap with 5 fixture mounts
- TS01-6 = Tree Strap with 6 fixture mounts

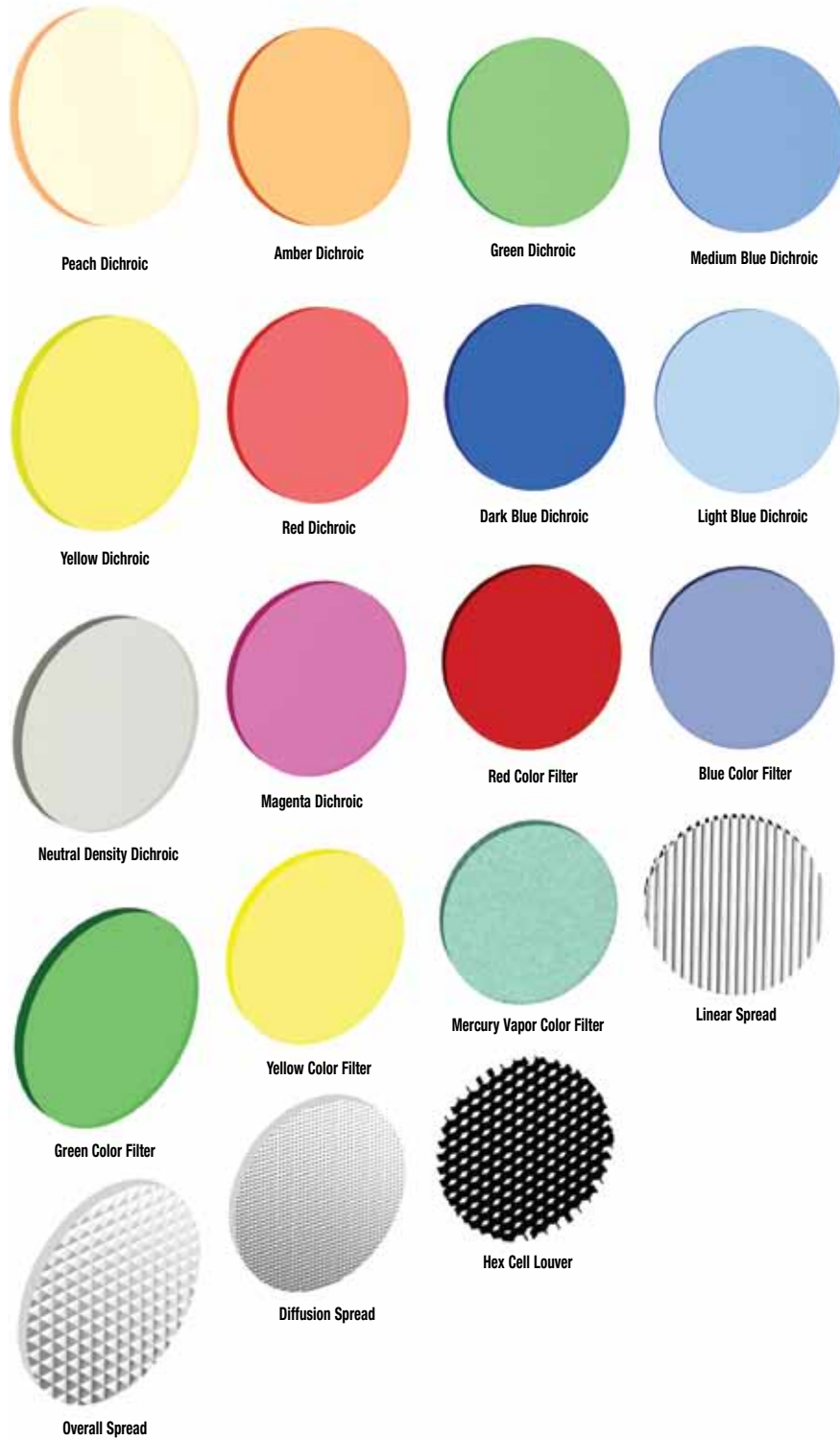


## TREE STRAPS

- Tree friendly stand-off design
- Line voltage or low voltage fixtures
- Single power feed up the tree
- Up to six fixtures standard
- Strap, stand-offs and all fasteners are stainless steel
- Optional powder coat paint to match fixtures
- Designed for tree diameters from 18" to 24" (other sizes available upon request)
- Strap also serves as a wire raceway for a cleaner look



# ACCESSORIES



## ORDERING

### OPTICAL ACCESSORIES ACCESSORIES for 1610

- F71 = Peach Dichroic Filter - 2.00" diameter
- F72 = Amber Dichroic Filter - 2.00" diameter
- F73 = Green Dichroic Filter - 2.00" diameter
- F74 = Medium Blue Dichroic Filter - 2.00" diameter
- F75 = Yellow Dichroic Filter - 2.00" diameter
- F76 = Red Dichroic Filter - 2.00" diameter
- F77 = Dark Blue Dichroic Filter - 2.00" diameter
- F78 = Light Blue Dichroic Filter - 2.00" diameter
- F79 = Neutral Density Dichroic Filter - 2.00" diameter
- F22 = Magenta Dichroic Filter - 2.00" diameter
- F33 = Red Color Filter - 2.00" diameter
- F44 = Blue Color Filter - 2.00" diameter
- F55 = Green Color Filter - 2.00" diameter
- F66 = Yellow Color Filter - 2.00" diameter
- F66 = Mercury Vapor Color Filter - 2.00" diameter
- LSL = Lineal Spread Lens, 2.00" diameter
- OSL = Overall Spread Lens, 2.00" diameter
- DIF = Diffused Lens, 2.00" diameter
- LVR = Hex Cell Louver, 2.00" diameter
- FH203 = 45° angled glare shield
- FH204 = Straight glare shield

### OPTICAL ACCESSORIES ACCESSORIES for 1620

- F71-20 = Peach Dichroic Filter - 2.50" diameter
- F72-20 = Amber Dichroic Filter - 2.50" diameter
- F73-20 = Green Dichroic Filter - 2.50" diameter
- F74-20 = Medium Blue Dichroic Filter - 2.50" diameter
- F75-20 = Yellow Dichroic Filter - 2.50" diameter
- F76-20 = Red Dichroic Filter - 2.50" diameter
- F77-20 = Dark Blue Dichroic Filter - 2.50" diameter
- F78-20 = Light Blue Dichroic Filter - 2.50" diameter
- F79-20 = Neutral Density Dichroic Filter - 2.50" diameter
- F80-20 = Magenta Dichroic Filter - 2.50" diameter
- F22-20 = Red Color Filter - 2.50" diameter
- F33-20 = Blue Color Filter - 2.50" diameter
- F44-20 = Green Color Filter - 2.50" diameter
- F55-20 = Yellow Color Filter - 2.50" diameter
- F66-20 = Mercury Vapor Color Filter - 2.50" diameter
- LSL-20 = Lineal Spread Lens, 2.50" diameter
- OSL-20 = Overall Spread Lens, 2.50" diameter
- DIF-20 = Diffused Lens, 2.50" diameter
- LVR-20 = Hex Cell Louver, 2.50" diameter
- FH20 = 45° angled glare shield

Note: Up to three accessories (lenses, louvers or filters) can be used at once to create multiple lighting effects in both the 1610 and 1620.

**Lumière**

4675 Holly Street  
Denver, CO 80216

P: 303-393-1522

F: 303-393-1477

**Cooper Lighting, LLC.**

Customer First Center  
1121 Highway 74 South  
Peachtree City, GA 30269

P: 770-486-4800

F: 770-486-4801

[www.cooperlighting.com](http://www.cooperlighting.com)

**International Sales, USA**

Cooper Lighting, LLC.  
1121 Highway 74 South  
Peachtree City, GA 30269

P: 770-486-4800

F: 770-486-4801

**Canada**

Cooper Lighting, LLC.  
5925 McLaughlin Road  
Mississauga, Ontario L5R 1B8

P: 905-507-4000

F: 905-568-7049

**The Cooper Lighting Family**

Halo  
Metalux  
Lumark  
Sure-Lites  
Neo-Ray  
Corelite  
Portfolio  
Iris  
Shaper  
io  
Lumière  
Invue  
McGraw-Edison  
Streetworks  
Fail-Safe  
PDS  
MWS  
RSA  
Ametrix

**Domestic Facilities**

Cranbury, New Jersey  
Elk Grove Village, Illinois  
Irving, Texas  
Ontario, California  
Peachtree City, Georgia

**Canadian Facility**

Calgary, Alberta T2E 7V9  
Mississauga, Ontario L5R 1B8

Cooper Lighting and Lumière logos are valuable trademarks of Cooper Industries in the United States and other countries. You are not permitted to use the Cooper Trademarks without the prior written consent of Cooper Industries.

**Cooper Industries, Ltd.**  
600 Travis, Ste. 5800  
Houston, TX 77002-1001  
P: 713-209-8400  
[www.cooperindustries.com](http://www.cooperindustries.com)