



VAPORTIGHT SERIES

Industrial Safety and Security Luminaire



VAPORTIGHT SERIES

SAFETY AND SECURITY LUMINAIRES

APPLICATION

Lumark's Vaportight luminaires are designed for use in heavy-duty, non-corrosive environments. Ideal for a wide range of non-hazardous environments including processing plants, cold storage areas, foundries, factories, loading docks and exterior building mounted applications.

RUGGED CONSTRUCTION

Heavy die-cast construction in the housing and guards combined with the borosilicate clear glass globe insures years of service. Guard can be removed without the use of tools or screw can be locked in place to prevent tampering. Ballast is easily accessible in all HID and CFL units for installation and maintenance.

FLEXIBILITY

The Vaportight family offers application flexibility with its availability to be surface, wall and pendant mounted. The three (3) sizes can accommodate up to 300W Incandescent, 57W Compact Fluorescent, 150W High Pressure Sodium and 175W Metal Halide lamps in various configurations.



[IC] Incandescent Vaportight



[VL] Large Vaportight

Specification Features

HOUSING

The Vaportight Series housings and threaded guards are constructed of die-cast aluminum. (IC) incandescent units utilize 1/2" NPS entry while all other sizes utilize 3/4" NPS entry. All ceiling and wall-mounted units include thruway wiring for ceiling and wall mount units. Threaded guard is one-piece construction and features a stainless steel allen-head locking set screw for vandal resistance. Silicone gaskets provide long life vapor seal on unit and prevent the entry of water or bugs. Clear glass globe is heat and impact resistant. Optional color globes available.

MOUNTING

Vaportight units are available with pendant, wall (IC & VS) or ceiling mounting. All units fit 4" round or octagonal J-Box. Small (IC) incandescent pendant mount units use 1/2" NPS entry. All other pendant mount units utilize 3/4" NPS entry.

ELECTRICAL

All incandescent and HID units provided with medium-base, porcelain exterior socket with 150°C wire. Compact Fluorescent lamp sockets are PBT material and dedicated pin design for specified wattage. Compact Fluorescent units are provided with electronic, universal voltage 120-277V, less than 10% harmonic distortion, with a minimum starting temperature of 0°C (32°F) ballast. High Intensity Discharge units are provided with High Reactance, High Power factor units with available voltages from 120-347V. Small (VS) Vaportight unit will accommodate up to 42W CFL or 100W High Pressure Sodium and Metal Halide lamps. Large (VL) unit will accommodate up to 57W Compact Fluorescent or 150W High Pressure Sodium and 175W Metal Halide lamps.

REFLECTORS

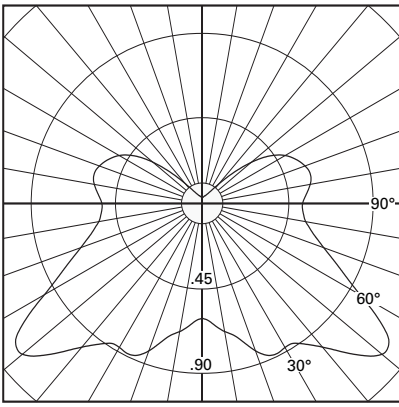
Optional concentric or angled dome reflector available for use with all configurations when using threaded globe and guard. Optional 12" or 16" acrylic refractor or 16" spun aluminum reflector available for use with large (VL) Vaportight unit.

FINISHES

All units finished with gray polyester powder coat as standard. Other optional colors are available.

[VS] Small Vaportight





CP/1000

MHVL-X-PV12-100-MT-CB12
100-Watt Metal Halide
8,500-Lumen Lamps

Coefficients Of Utilization

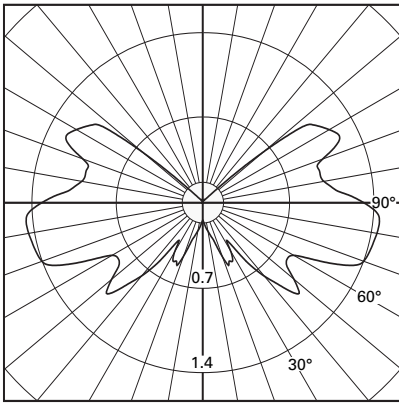
rc	Effective floor cavity reflectance																		
	80%				20%														
rw	70	50	30	10	70	50	30	10	50	30	10	50	30	10	50	30	10	0	
RCR																			
1	87	82	77	73	82	77	73	69	68	65	62	60	57	55	52	50	48	44	
2	78	69	62	56	73	65	59	53	57	52	48	50	46	43	44	41	38	34	
3	70	59	51	45	65	56	49	43	49	43	38	43	38	34	37	34	30	27	
4	63	52	43	37	59	49	41	35	43	36	31	37	32	28	32	28	25	22	
5	58	45	37	30	54	43	35	29	38	31	26	33	28	23	29	24	21	18	
6	53	40	32	26	49	38	30	24	33	27	22	29	24	20	25	21	17	15	
7	49	36	28	22	45	34	26	21	30	24	19	26	21	17	23	18	15	13	
8	45	32	24	19	42	30	23	18	27	21	16	24	18	15	21	16	13	11	
9	42	29	22	17	39	28	21	16	25	19	14	22	17	13	19	15	11	9	
10	39	27	19	15	36	25	19	14	22	17	13	20	15	11	17	13	10	8	

Spacing Criterion 2.3

Zone	%Lamp	Zone	%Lamp
0-30	8.0	0-90	61.2
0-40	14.7	90-180	27.7
0-60	37.2	Total	88.9

Candlepower

Degree	CP
0	603
5	630
15	728
25	883
35	901
45	1121
55	1193
65	804
75	610
85	540
90	536
95	559
105	596
115	547
125	424
135	165
145	50
155	34



CP/1000

MHVL-X-GG-175-MT
175-Watt Metal Halide
14,400-Lumen Lamps

Coefficients Of Utilization

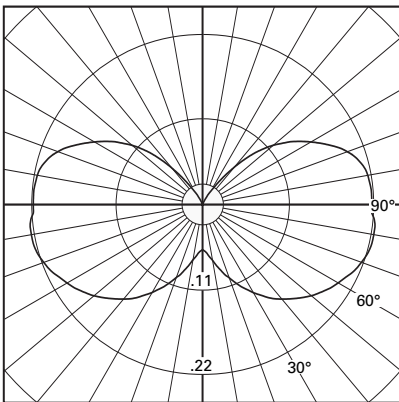
rc	Effective floor cavity reflectance																		
	80%				20%														
rw	70	50	30	10	70	50	30	10	50	30	10	50	30	10	50	30	10	0	
RCR																			
1	72	66	61	56	66	61	56	52	51	48	44	43	40	37	35	33	31	27	
2	63	54	47	41	58	50	44	38	42	37	32	35	30	27	28	24	22	18	
3	56	46	38	32	51	42	35	30	35	30	25	29	24	21	23	19	16	13	
4	51	40	32	26	46	37	29	24	30	25	20	25	20	16	19	16	13	10	
5	46	35	27	21	42	32	25	19	27	21	16	22	17	13	17	13	10	7	
6	42	31	23	18	39	28	21	16	24	18	14	19	15	11	15	11	8	6	
7	39	27	20	15	36	25	19	14	21	16	12	17	13	9	14	10	7	5	
8	36	25	18	13	33	23	16	12	19	14	10	16	11	8	12	9	6	4	
9	33	22	16	11	31	21	15	10	17	12	9	14	10	7	11	8	5	3	
10	31	20	14	10	29	19	13	9	16	11	8	13	9	6	10	7	5	3	

Spacing Criterion N/A

Zone	%Lamp	Zone	%Lamp
0-30	2.5	0-90	45.6
0-40	4.8	90-180	32.0
0-60	15.6	Total	77.6

Candlepower

Degree	CP
0	149
5	163
15	289
25	537
35	441
45	1046
55	857
65	1201
75	1458
85	1481
90	1334
95	1129
105	1013
115	1265
125	1128
135	43
145	24
155	12



CP/1000

PLVS-X-GG-42-UNV
42-Watt Compact Fluorescent
3,200-(1) Lumen Lamps

Coefficients Of Utilization

rc	Effective floor cavity reflectance																		
	80%				20%														
rw	70	50	30	10	70	50	30	10	50	30	10	50	30	10	50	30	10	0	
RCR																			
1	60	55	51	48	55	51	47	44	43	40	38	36	34	32	30	28	26	23	
2	53	46	40	36	48	42	37	33	36	32	28	30	26	24	24	21	19	16	
3	47	39	33	28	43	36	31	26	30	26	22	25	21	18	20	17	15	12	
4	43	34	28	23	39	31	25	21	26	21	18	21	18	15	17	14	12	9	
5	39	30	23	19	35	27	22	17	23	18	15	19	15	12	15	12	10	7	
6	36	26	20	16	32	24	19	15	20	16	12	17	13	10	13	10	8	6	
7	33	23	18	13	30	22	16	12	18	14	10	15	11	9	12	9	7	5	
8	30	21	15	12	28	20	14	11	16	12	9	14	10	7	11	8	6	4	
9	28	19	14	10	26	18	13	9	15	11	8	12	9	6	10	7	5	4	
10	26	17	12	9	24	16	11	8	14	10	7	11	8	6	9	6	4	3	

Spacing Criterion N/A

Zone	%Lamp	Zone	%Lamp
0-30	2.7	0-90	36.9
0-40	5.6	90-180	27.0
0-60	15.3	Total	63.9

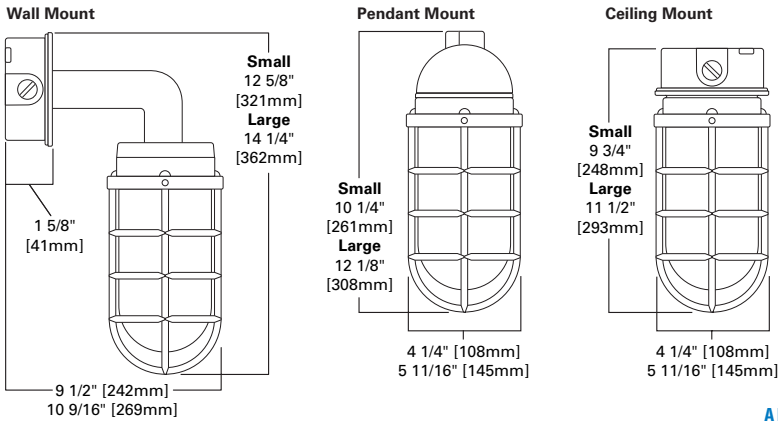
Candlepower

Degree	CP
0	59
5	64
15	88
25	118
35	148
45	173
55	195
65	213
75	225
85	224
90	219
95	220
105	212
115	182
125	142
135	92
145	31
155	2

200-300W INCANDESCENT

IC Vaportight

INDUSTRIAL SAFETY AND SECURITY LUMINAIRE



APPLICATION

Lumark's Vaportight fixtures are designed for heavy-duty, non-corrosive environments. Applications include processing plants, cold storage, foundries, factories, loading docks and retail applications. U.L and cUL listed for non-classified wet locations. For use in 40°C ambient environments.



Lumark®

ordering information

SAMPLE NUMBER: ICVC1G

LAMP TYPE IC=Incandescent	MOUNTING TYPE VC=Ceiling Mount VW=Wall Mount VP=Pendant Mount	LAMP WATTAGE 1=200W ^{1,3} 2=300W ^{2,3}	GUARD G=Guard	ACCESSORIES (See Below)
-------------------------------------	---	---	-------------------------	-----------------------------------

HOUSING

Housings and threaded guard are die-cast aluminum. Small housing utilizes 1/2" NPS entry while large housing use 3/4" NPS entry. Standard construction includes thru-way wiring for ceiling and wall mount units. Guard is one piece and features stainless steel locking screw for vandal resistance.

MOUNTING

Optional pendant mount, wall or ceiling mounting. Wall mount fits 4" round or octagonal J-Box. Pendant mount utilizes 1/2" NPS for small and 3/4" NPS for large.

SOCKET

Sockets are medium-base, porcelain exterior with 150°C wire.

GLOBE

Globe is heat- and impact-resistant glass and accepts up to 200W incandescent in small housing and 300W incandescent in the large housing.

GASKET

Silicone gasket provides long-life vapor seal.

FINISH

Standard finish is polyester powder coat grey.

RATING

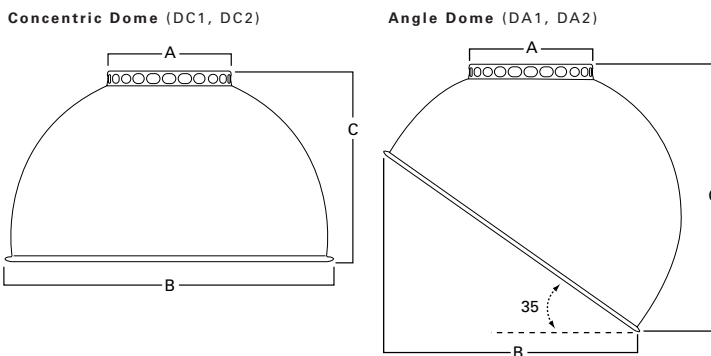
IP65 Rating

SHIPPING DATA

Approximate net weight:
5 lbs. (2 kgs.)

ACCESSORIES^{4, 5}

- DC1=Concentric Dome 200
- DC2=Concentric Dome 300
- DA1=Angle Dome 200
- DA2=Angle Dome 200



Concentric Dome	A	B	C
DC1	4 3/8" [111mm]	11 3/4" [298mm]	6 7/8" [175mm]
DC2	4 3/8" [111mm]	14 11/16" [373mm]	8 11/16" [221mm]

Angle Dome	A	B	C
DA1	5 13/16" [148mm]	11 3/16" [285mm]	12 3/4" [324mm]
DA2	5 13/16" [148mm]	13 3/4" [349mm]	10" [254mm]

NOTES: 1 A21 lamp maximum. Lamp not included. 2 PS30 lamp maximum. Lamp not included. 3 Care must be taken in selecting lamps due to size variations by manufacturers. 4 Standard finish is polyester powder coat grey with inside painted white. 5 Guard required to install. 6 Specifications and dimensions subject to change without notice.

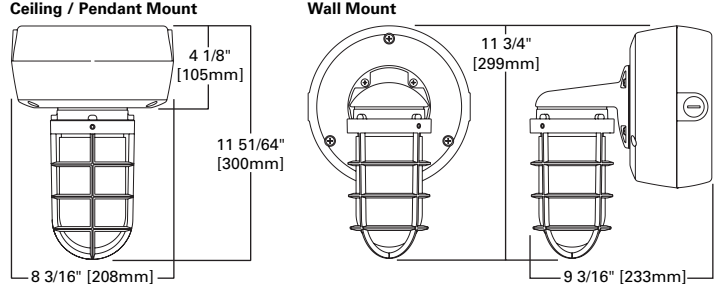
VS Vaportight Small

26-200W HP/MH/IN/PL

INDUSTRIAL SAFETY AND SECURITY LUMINAIRE



Lumark®



APPLICATION

Lumark's Vaportight fixtures are designed for heavy-duty, non-corrosive environments. Applications include accent, entrance/eave, pathway, recreation, retail, security and transportation applications. U.L and cUL listed for non-classified wet locations. Not for use in dwellings or hazardous locations.

ordering information

SAMPLE NUMBER: HPVS-W-GG-100-120

HOUSING

Housing and threaded guard are die-cast aluminum with 3/4" NPS entry. Standard construction includes thru-way wiring for ceiling or wall mount units. Guard is one piece construction and features stainless steel locking screw for vandal resistance.

MOUNTING

Pendant, surface or wall mounting available. Ceiling mount fits 4" round or octagonal J-Box.

Pendant mount utilizes a 3/4" NPS.

SOCKET

Sockets are 4kv pulse-rated medium-base porcelain lamp socket for HID applications or Gx24 base for 42W CFL. Lamp included stock packages.

GLOBE

Globe is heat- and impact-resistant glass and accepts up to 200W Incandescent, 42W Compact Fluorescent or 100W HID.

GASKET

Silicone gasket provides long-life vapor seal in housing.

RATING

IP65

SHIPPING DATA

Approximate net weight:
6-14 lbs. (2.73-6.36 kgs.)

LAMP TYPE

HP=High Pressure Sodium
MH=Metal Halide
IN=Incandescent
PL=Compact Fluorescent

SERIES

VS=Vaportight Small

MOUNTING TYPE

W=Wall Mount
C=Ceiling/Pendant Mount

OPTICS

GG=Glass Jar with Globe

LAMP WATTAGE

HID
50=50W
70=70W
100=100W
Incandescent
200=200W
Compact Fluorescent
26=26W
32=32W
42=42W

VOLTAGE¹

120=120V
277=277V
347=347V
DT=Dual-Tap 120/277V
MT=Multi-Tap
UNV=120-277V Compact Fluorescent Universal Electronic Ballast

OPTIONS + ACCESSORIES

(See Below)

OPTIONS²

F1=Single Fuse (120, 277 or 347V)
_ =Grey
BK=Black
SY=Silver
WH=White
LL=Lamp Included

ACCESSORIES³

DC1=Concentric Dome 200
DA1=Angle Dome 200

Concentric Dome	A	B	C
DC1	4 3/8" [111mm]	11 3/4" [298mm]	6 7/8" [175mm]
Angle Dome			
DA1	5 13/16" [148mm]	11 3/16" [285mm]	12 3/4" [324mm]

Lamp Type	Ambient Environment	Supply Wire (Min.)
IN (200W)	40°C	90°C*
PL (26-42W)	40°C	90°C*
HP/MH (50-100W)	40°C (HPS) 25°C (MH)	150°C*

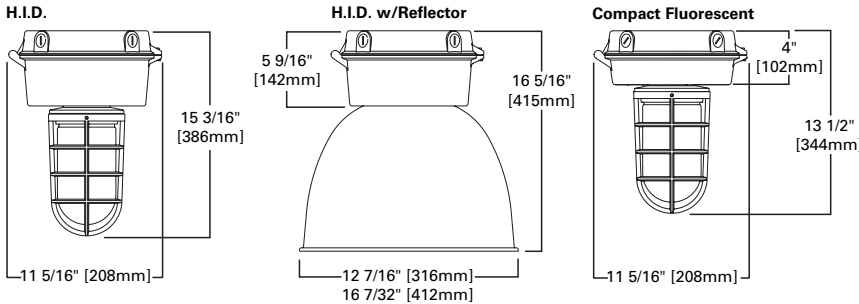
NOTES: * Internal Wiring. Wiring in External J-Box is 90°C.

NOTES: 1 Products also available in non-US voltages and 50Hz for international markets. Consult factory for availability and ordering information. 2 Add as suffix in the order shown. 3 Order separately. 4 Specifications and dimensions subject to change without notice.

42-300W HP/MH/IN/PL

VL Vaportight Large

INDUSTRIAL SAFETY AND SECURITY LUMINAIRE



Lumark®

APPLICATION

Lumark's Vaportight fixtures are designed for heavy-duty, non-corrosive environments. Applications include accent, entrance/eave, pathway, recreation, retail, security and transportation applications. All fixtures with globe and guard are wet location. Fixtures with prismatic refractor are damp non-classified U.L. and cUL wet location listed for surface and pendant mounted applications. All others are U.L. and cUL listed for listed for damp locations. Not for use in dwellings or hazardous locations.

ordering information

SAMPLE NUMBER: HPVL-C-GG-175-120

LAMP TYPE	SERIES	MOUNTING TYPE	OPTICS	LAMP WATTAGE	VOLTAGE ²	OPTIONS + ACCESSORIES
HP=High Pressure Sodium MH=Metal Halide IN=Incandescent PL=Compact Fluorescent	VL=Vaportight Large	C=Ceiling/Pendant Mount	GG=Glass Jar with Globe PV12=12" Direct Mount Prismatic Lens ¹ PV16=16" Direct Mount Prismatic Lens ¹ SV16=16" Direct Mount Spun Aluminum Reflector ¹ SV16W=16" Direct Mount Spun Aluminum Reflector with White Finish ¹	HID 70=70W 100=100W 150=150W 175=175W <u>Incandescent</u> 300=300W <u>Compact Fluorescent</u> 42=42W 57=57W	120=120V 277=277V 347=347V DT=Dual-Tap 120/277V MT=Multi-Tap UNV=120-277V Compact Fluorescent Universal Electronic Ballast	(See Below)

OPTIONS³

Q=Quartz Restrike⁴
 F1=Single Fuse (120, 277 or 347V)
 _=Grey (Standard)
 PC3=3' Cord with NEMA Plug¹
 SHK=Fixture Hook with Safety Screw¹
 FH-1=Fixture Hook¹
 FL-1=Fixture Loop¹
 SY=Silver
 WH=White
 LL=Lamp Included⁵

ACCESSORIES⁶

DC2=Concentric Dome 300⁷
 DA2=Angle Dome 300⁷
 CB12=Conical Bottom Lens for 12" Refractor
 CB16=Conical Bottom Lens for 16" Refractor
 SGB16=Safety Glass Bottom for 16" Refractor
 DB16=Drop Bottom Lens for 16" Refractor
 WG16/SGB=Gym Wire Guard with Safety Glass Bottom for 16" Refractor
 WGD16=Wire Guard for DB16

Lamp Type	Ambient Environment	Supply Wire (Min.)
IN (300W)	40°C	90°C*
PL (42-57W)	40°C	90°C*
HP/MH (70-175W)	40°C (100W) 25°C (150 & 175W)	105°C*

NOTES: * Internal Wiring. Wiring in External J-Box is 90°C.

NOTES: 1 Damp location listed. 2 Products also available in non-US voltages and 50Hz for international markets. Consult your Cooper Lighting Representative for availability and ordering information. 3 Add as suffix in the order shown. 4 Not for use with "GG" optics. 5 Lamp shipped separately. 6 Order separately. 7 Requires "GG" optics. 8 Specifications and dimensions subject to change without notice.

HOUSING

Housing and threaded guard are die-cast aluminum with 3/4" NPS entry. Standard construction includes thru-way wiring for ceiling or wall mount units. Guard is one piece construction and features stainless steel locking screw for vandal resistance.

MOUNTING

Pendant or surface mounting available. Ceiling mount fits 4" round or octagonal J-Box. Pendant mount utilizes a 3/4" NPS.

SOCKET

Sockets are 4kv pulse-rated medium-base porcelain lamp socket for HID applications or Gx24 base for 42W CFL. Lamp included stock packages.

GLOBE

Globe is heat- and impact-resistant glass and accepts up to 300W incandescent, 57W Compact Fluorescent or 175W HID.

GASKET

Silicone gasket provides long-life vapor seal in housing.

RATING

IP65 (with Globe and Guard)

SHIPPING DATA

Approximate net weight:
 6-14 lbs. (2.73-6.36 kgs.)



CUSTOMER FIRST CENTER
1121 HIGHWAY 74 SOUTH
PEACHTREE CITY, GEORGIA 30269
770 486 4800
FAX 770 486 4801

Domestic Facilities, USA
Cranbury, New Jersey
Elk Grove Village, Illinois
Irving, Texas
Ontario, California
Peachtree City, Georgia

International Sales, USA
Peachtree City, Georgia

CANADA
Cooper Lighting
5925 McLaughlin Road
Mississauga, Ontario L5R 1B8
905 507 4000
FAX 905 568 7049

Domestic Facilities, Canada
Calgary, Alberta
Chomedey, Laval P.Q.

Cooper Lighting, Inc.
All rights reserved
Printed in USA

The Cooper Lighting Family

- Halo
- Cooper Lighting - Metalux
- Cooper Lighting - Lumark
- Cooper Lighting - Sure-Lites
- Neo-Ray
- Corelite
- Portfolio
- Iris
- Shaper
- Lumière
- Invue
- McGraw-Edison
- Fail-Safe
- MWS
- DLS
- RSA
- Ametrix

VAPORTIGHT SERIES
Safety and Security Luminaires

