







## Versatility... The Real Beauty of Track Lighting

Versatility has always been the hallmark of track lighting. The modular construction of track and the adjustment capabilities of track lampholders have allowed the lighting designer to place light exactly where needed and to easily adapt to changing display needs and retail configurations.

The increasing awareness of energy usage has led to stringent legislation mandating rigid “watts-per-foot” requirements for track lighting. This led lighting designers to look for alternatives to track lighting, which was thought to be difficult to quantify and control in terms of energy usage. The Halo Track Current Limiter, even under tough legislative standards, makes it easy to understand and specify track lighting.

With the Halo Track Current Limiter, energy consumption can be controlled to exact requirements. Circuit breakers become an integral part of the track system and can be selected from 120 watts up to 1200 watts. Should the track section exceed its load rating, the circuit breaker trips and shuts off power to that track section ensuring compliance with load requirements.

Control is added and the real beauty of track lighting...versatility ...is restored.



### Features and Benefits

- End-feed and Center-feed capable:
  - Halo Power-Trac one and two-circuit track systems
  - Lazer one-circuit track system.
- Five breaker sizes are available. Consult factory if other sizes are required.
- Can be utilized on hard or grid ceilings.
- Can be used with pendant suspended track.
- Breaker can be used as an on-off switch.
- Breaker features a “tripped” condition indicator.
- Feeds employing two circuit breakers do not require breakers to be the same size. Each breaker can be sized according to desired load.
- cULus Listed
- Halo single circuit and two circuit current limiters can be used to comply with CA T24 efficacy requirements.



### Feeds and Circuit Breaker Types

#### Power-Trac Single Circuit

LC901P, MB	End feed connector and housing, White/ Black
LC903P, MB	Center feed connector and housing, White/ Black

#### Power-Trac Two Circuit

LC941P, MB	End feed connector and housing, White/ Black
LC943P, MB	Center feed connector and housing, White/ Black

#### Lazer

LZRC201P, MB	End feed connector and housing, White/ Black
LZRC203P, MB	Center feed connector and housing, White/ Black

#### Circuit Breakers

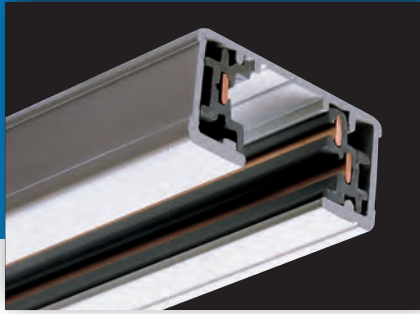
CB120P, MB	Circuit breaker	1 amp	@ 120V = 120W
CB300P, MB	Circuit breaker	2.5 amp	@ 120V = 300W
CB600P, MB	Circuit breaker	5 amp	@ 120V = 600W
CB960P, MB	Circuit breaker	8 amp	@ 120V = 960W
CB1200P, MB	Circuit breaker	10 amp	@ 120V = 1200W

#### Color Codes:

P = White  
MB = Black

## Halo Power-Trac

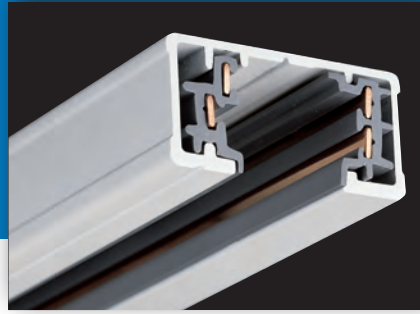
Single Circuit



L650=2' track  
L651=4' track  
L652=8' track  
L653=12' track

## Halo-2 Power-Trac

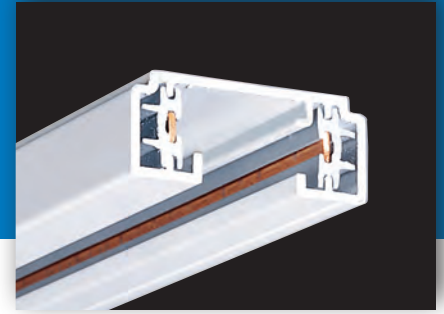
Two Circuit



L641=4' track  
L642=8' track  
L643=12' track

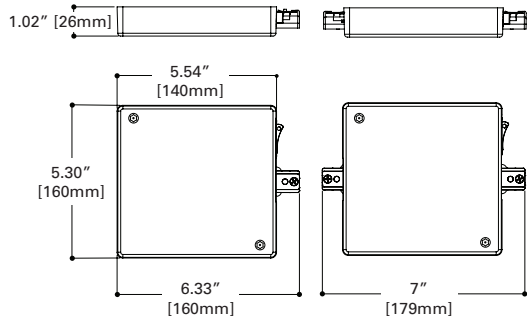
## Lazer Track

Single Circuit



LZR102=2' track  
LZR104=4' track  
LZR106=6' track  
LZR108=8' track

### Halo Power-Trac Single Circuit Current Limiter

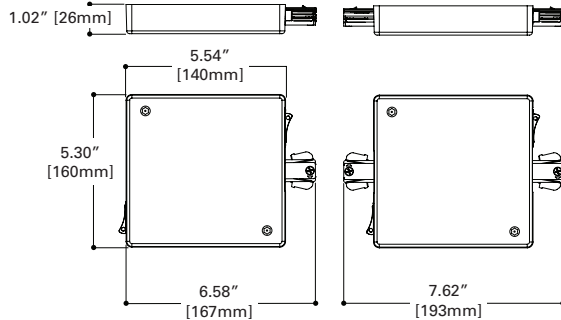


Sample Number: **LC901CB120P**  
(Field assembly of feed and circuit breaker required.)

Feed Type	Circuit 1 Breaker	Finish
LC901= Halo Power-Trac 1-Circuit End Feed	CB120= 120W (1A @ 120V)	P= White
LC903= Halo Power-Trac 1-Circuit Center Feed	CB300= 300W (2.5A @ 120V)	MB= Black
	CB600= 600W (5A @ 120V)	
	CB960= 960W (8A @ 120V)	
	CB1200= 1200W (10A @ 120V)	

Consult factory for single circuit center-feed requiring two circuit breakers.

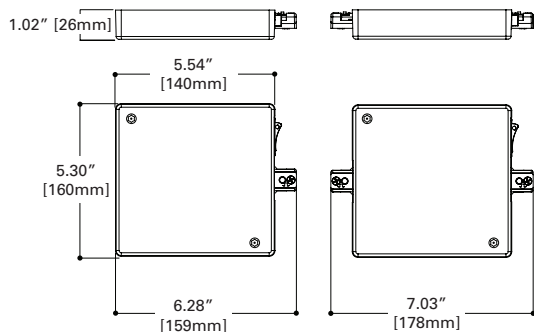
### Halo-2 Power-Trac Two Circuit Current Limiter



Sample Number: **LC941CB120CB600P**  
(Field assembly of feed and circuit breaker required.)

Feed Type	Circuit 1 Breaker	Circuit 2 Breaker	Finish
LC941= Halo Power-Trac 2-Circuit End Feed	CB120= 120W (1A @ 120V)	Blank= No Breaker Required	P= White
LC943= Halo Power-Trac 2-Circuit Center Feed	CB300= 300W (2.5A @ 120V)	CB120= 120W (1A @ 120V)	MB= Black
	CB600= 600W (5A @ 120V)	CB300= 300W (2.5A @ 120V)	
	CB960= 960W (8A @ 120V)	CB600= 600W (5A @ 120V)	
	CB1200= 1200W (10A @ 120V)	CB960= 960W (8A @ 120V)	
		CB1200= 1200W (10A @ 120V)	

### Lazer Single Circuit Current Limiter



Sample Number: **LZRC201CB120P**  
(Field assembly of feed and circuit breaker required.)

Feed Type	Circuit 1 Breaker	Circuit 2 Breaker	Finish
LZRC201= Lazer 1-Circuit End Feed	CB120= 120W (1A @ 120V)	Blank= No Breaker Required	P= White
LZRC203= Lazer 1-Circuit Center Feed	CB300= 300W (2.5A @ 120V)	CB120= 120W (1A @ 120V)	MB= Black
	CB600= 600W (5A @ 120V)	CB300= 300W (2.5A @ 120V)	
	CB960= 960W (8A @ 120V)	CB600= 600W (5A @ 120V)	
	CB1200= 1200W (10A @ 120V)	CB960= 960W (8A @ 120V)	
		CB1200= 1200W (10A @ 120V)	

Consult factory for single circuit center-feed requiring two circuit breakers.

**Our Lighting  
Product Lines**

Halo  
Halo Commercial  
Portfolio  
Iris  
RSA  
Metalux  
Corelite  
Neo-Ray  
Fail-Safe  
MWS  
Ametrix  
Shaper  
io  
Lumark  
McGraw-Edison  
Invue  
Lumière  
Streetworks  
AtLite  
Sure-Lites

**Our Controls  
Product Lines**

Greengate  
iLumin  
Zero 88  
Fifth Light Technology  
iLight (International Only)

**Eaton**  
1121 Highway 74 South  
Peachtree City, GA 30269  
P: 770-486-4800  
[www.eaton.com/lighting](http://www.eaton.com/lighting)

**Canada Sales**  
5925 McLaughlin Road  
Mississauga, Ontario L5R 1B8  
P: 905-501-3000  
F: 905-501-3172

© 2015 Eaton  
All Rights Reserved  
Printed in USA  
Publication No. BR518013EN  
September 2015

Eaton is a registered trademark.

All other trademarks are property  
of their respective owners.

Product availability, specifications,  
and compliances are subject to  
change without notice.