

HALO



METAL HALIDE + TRACK = STASIS™

Track Lighting

Stasis
Metal Halide

Stasis™ Features

Stasis Ceramic Metal Halide = The Sharp **NEW** Reliable Workhorse

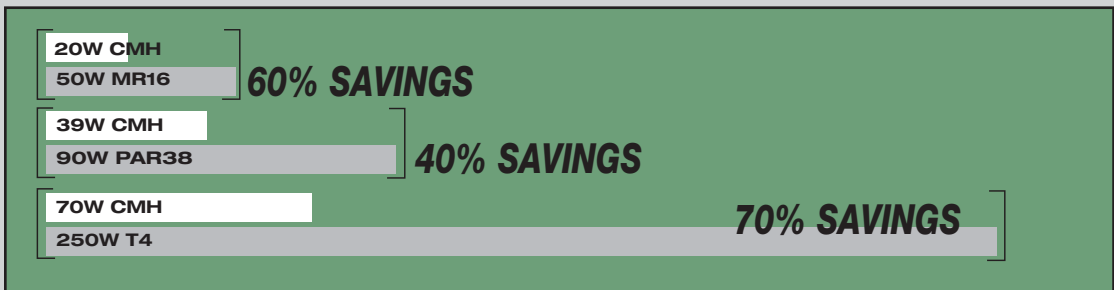
Halo once again sets the new standard in Ceramic Metal Halide Track Lampholders. The understated clean lines of the already popular Stasis Series of Incandescent and Low Voltage Track Lampholders has just been turned up a notch with these exciting, energy efficient Ceramic Metal Halide Track Lampholders.



ENERGY COSTS - CERAMIC METAL HALIDE vs HALOGEN



Ceramic Metal Halide Lamp life ratings = 10,000 to 15,000 hrs versus 3,000 to 6,000 hrs for halogen lamp sources.





Lampholder arm allows adjustment of $\pm 90^\circ$ for both rotation and tilt, providing full aiming capabilities. Vertically oriented ballast housing stays aligned with track for a uniform look.



Integral on-off switch allows relamping without de-energizing entire track "run".



Units include rotation and tilt locks to preserve the original lighting design intent during re-lamping.

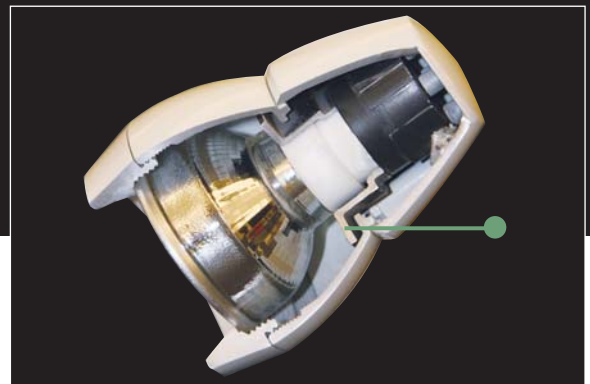


Adjustable beam optic on T6 Accent unit employs a cool-to-the-touch silicone knob cover for convenient hot aiming. Embossed graphic in the silicone indicates turn direction for desired beam.*

* Beam can be locked in place



Lampholder arm employs graduations every 15° for precise, repeatable tilt aiming. An indicator mark on arm bottom assures perfect lamp housing alignment with the track.



A lamp centering ring on the MR16 Accent unit eases lamping and ensures that the lamp is properly centered in the shade.



MR16 CMH

Finish:

Lamp:

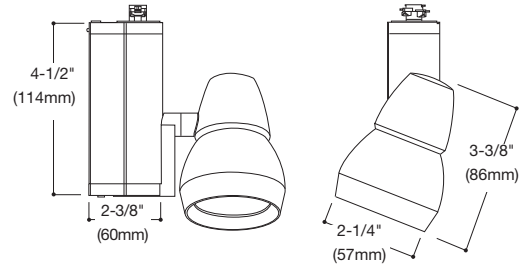
Accessories:

Stasis™ MR16 Accent

White (P), Black (MB), Aluminum Haze (AH)

20W MR16 Ceramic Metal Halide

LM50516P, MB, AH Media Ring
Accommodates two L100 Series Media
(filters, beam modifying lenses and hex
cell louver)



PAR30 CMH

Finish:

Lamp:

Accessories:

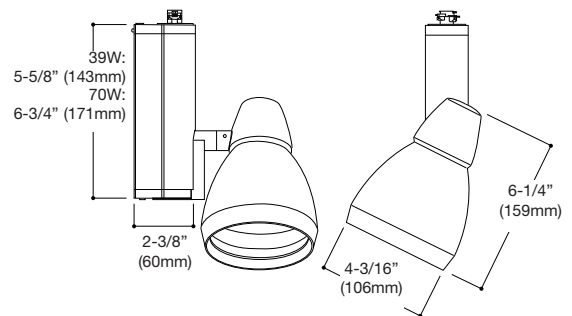
Stasis™ PAR30 Accent

White (P), Black (MB), Aluminum Haze (AH)

39W PAR30 Ceramic Metal Halide

70W PAR30 Ceramic Metal Halide

LM10530P, MB, AH Media Ring
Accommodates two 3-3/4" Media
(L400 Series Filters and L274 Cube Cell Louver)

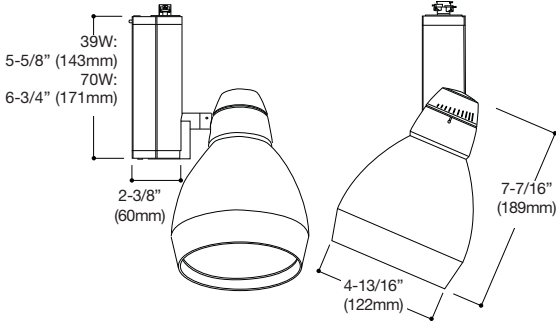


TRACK SYSTEMS (Stasis CMH lampholders are compatible with the following Halo and Lazer Track Systems)

- Halo Single Circuit (L650, L651, L652, L653)
- Halo 2-Circuit (L641, L642, L643)
- Halo Raceway Track (L611, L612, L613)
- Recessed Raceway (L1631, L1632)
- Halo 4-Circuit Track (L621, L622, L623 - Requires one L963 Converter for each lampholder- Ceiling mounted track only)
- Lazer Track (LZR102, LZR104, LZR106, LZR108)

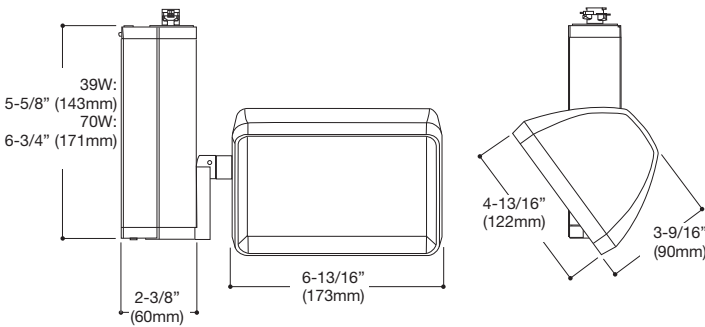
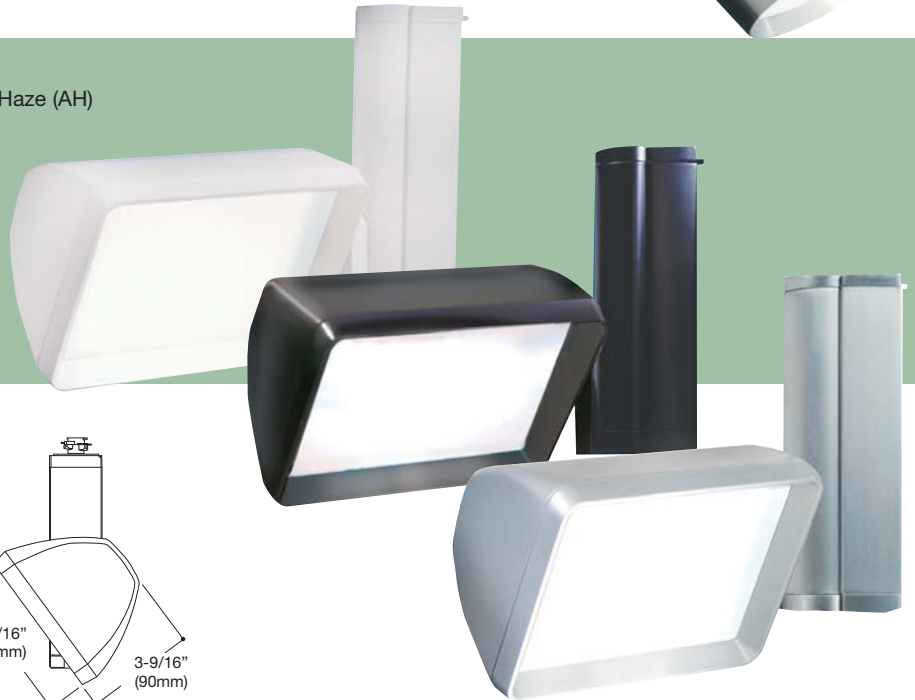
T6 CMH Stasis™ Adjustable Accent

Finish: White (P), Black (MB), Aluminum Haze (AH)
 Lamp: 39W T6 Ceramic Metal Halide
 70W T6 Ceramic Metal Halide
 Accessories: Accommodates two media
 (L200 Series Filters and Beam Modifying
 Lenses, L275 Cube Cell Louver)
 Notes: Adjustable Beam from Spot to Flood
 Desired beam can be locked in place
 utilizing a 1.5mm Allen wrench (supplied)



T6 CMH Stasis™ Wall Wash

Finish: White (P), Black (MB), Aluminum Haze (AH)
 Lamp: 39W T6 Ceramic Metal Halide
 70W T6 Ceramic Metal Halide
 Accessories: **LVR505WW P, MB, AH** Louver



ORDERING INFORMATION

Sample Number: L5053039P

Stasis Series	Style	Lamp	Wattage	Finish
L505				
Halo Power-Trac† Metal Halide	Blank= Accent WW= Wall Wash (T6 only)	T6= MR16* 30= PAR30* 6= T6* *(lamp not included)	20= 20W (MR16 only) 39= 39W (PAR30/T6 only) 70= 70W (PAR30/T6 only)	AH= Aluminum Haze P= White MB= Black

† Consult factory for use on other Halo Track Systems -120V and 277V

Lampholders can be used with Halo Architectural Linear track, 120V only [LA631, LA632, LA633] with the use of one LA1L Converter for each lampholder - ceiling mounted track only

TRACK SYSTEMS



MINIATURE L650, L651, L652, L653

Miniature Track Provides Versatility for every Lighting Need

Decorator finishes, push-in connectors, economy, all combine to make single-circuit Trac perfect for residential or commercial use.

- **L650-2' Track.** Actual length 20 1/8" (511mm).
Finishes: White (P), Black (MB), Bronze (BZ), Antique Brass (AB), Polished Brass (B), Silver (SL)
- **L651-4' Track.** Actual length 44 1/8" (1121mm).
Finishes: White (P), Black (MB), Bronze (BZ), Antique Brass (AB), Polished Brass (B), Silver (SL)
- **L652-8' Track.** Actual length 92 1/8" (2340mm).
Finishes: White (P), Black (MB), Bronze (BZ), Antique Brass (AB), Polished Brass (B), Silver (SL)
- **L653-12' Track.** Actual length 140 1/8" (3559mm).
Finishes: White (P), Black (MB), Silver (SL)

Size

11/16" (17.5mm) deep by 1 3/8" (35mm) wide.

Connectors

Connectors simply push into the ends of the Trac, eliminating splicing. L's, T's, X's and the Flexible Connector allow track to be assembled in almost any pattern.

Specifications

Structural channel is extruded aluminum with .060" nominal wall thickness. Conductors are solid copper bus bars encased in rigid extruded PVC insulators. Polarized connectors and end caps are molded polycarbonate. Electrical capacity is 20 amps. Halo miniature track is UL/cUL listed.

HALO-2 TWO CIRCUIT L641, L642, L643



Halo-2 Power-Trac Has Two Circuits for Greater System Flexibility

Halo-2 Power-Trac system provides two separate 20 AMP circuits. Each circuit can be independently switched. Suitable for commercial, merchandising and residential applications.

- **L641-4' Track.** Actual length 42 5/8" (1083mm).
Finish: White (P), Black (MB), Silver (SL)
- **L642-8' Track.** Actual length 90 5/8" (2302mm).
Finish: White (P), Black (MB), Silver (SL)
- **L643-12' Track.** Actual length 138 5/8" (3521mm).
Finish: White (P), Black (MB), Silver (SL)

Size

11/16" (17.5mm) deep by 1 3/8" (35mm) wide.

Connectors

Connectors push easily into the ends of the track, eliminating splicing. Polarity arrows on connectors assure proper installation. Just align arrows with polarity line on track and push in. L's, T's, X's and Flexible Connector allow track to be assembled in almost any pattern.

Installing lampholders on Two-Circuit Track is simple with an adjustable contact that allows selection of the circuit position. Lift or lower the contract on the lampholder until it touches the plastic stop of the assembly. For circuit #1 move contact to the down position. For circuit #2 move contact to the up position.

Installation of Lampholders

Installing lampholders on Two-Circuit Track is simple with an adjustable contact that allows selection of the circuit position. Lift or lower the contract on the lampholder until it touches the plastic stop of the assembly. For circuit #1 move contact to the down position. For circuit #2 move contact to the up position.

Specifications

Structural channel is extruded aluminum with .060" nominal wall thickness. Conductors are solid copper bus bars encased in rigid extruded PVC insulators. Polarized connectors and end caps are molded polycarbonate. Electrical capacity is 20 amps per circuit when properly balanced. Halo Track-2 track is UL/cUL listed.



RACEWAY TRAC L611, L612, L613

Raceway Trac Puts Electrical Power Where It's Needed

Halo Raceway Trac provides electrical flexibility at a fraction of the cost of conventional wiring on long linear runs.

- **L611-4' Track.**
Actual length 44 1/8" (1121mm).
Finish: White (P), Black (MB)
- **L612-8' Track.**
Actual length 92 1/8" (2340mm).
Finish: White (P), Black (MB)
- **L613-12' Track.**
Actual length 140 1/8" (3559mm).
Finish: White (P), Black (MB)

Integral Raceway

Top portion of track is designed as a raceway. Will carry up to 6 #12 AWG conductors. Can be used to feed additional sections of track from the original feed point, minimizing installation time and cost. Raceway covers are included.

Additional sections of track from the original feed point, minimizing installation time and cost. Raceway covers are included.

Size

Raceway Trac is 1 3/8" (35mm) wide and 1 5/16" (33mm) high.

Connectors

Connectors simply push into the ends of the Trac, eliminating splicing. L's, T's and X's allow track to be assembled in any pattern.

Specifications

Structural channel is extruded aluminum with .070" nominal wall thickness. Conductors are solid copper bus bars encased in rigid extruded PVC insulators. Polarized connectors and end caps are molded polycarbonate. Electrical capacity is 20 amps. Halo raceway track is UL/cUL listed.



RECESSED RACEWAY TRAC L1631, L1632

Halo Recessed Raceway Provides a Minimal Look

Single Circuit Raceway Power-Trac is designed for installation in plasterboard ceilings or for use with tile ceilings in straight runs only. Available in 4' and 8' lengths.

- **L1631-4'-Recessed Raceway Trac**
Actual length: 44 1/8" (1120mm) Finish: White (P)
- **L1632-8'-Recessed Raceway Trac**
Actual length: 92 1/8" (2340mm) Finish: White (P)

Size

Recessed Raceway Trac is 1-11/32" (34mm) deep with a 3 1/32" (77mm) wide flange area.

Connectors

The system uses two connectors, a L1931P Live End Connector to start a run and a L1933P Straight Connector when connecting two sections of straight track end-to-end.

Raceway

Top portion of track is designed as a raceway. Will carry up to 6 #12 AWG conductors. Can be used to feed additional sections of track from the original feed point, minimizing installation time and cost. Raceway covers are included.

Specifications

Structural channel is extruded aluminum with .070" nominal wall thickness. Conductors are solid copper bus bars encased in rigid extruded PVC insulators. Polarized connectors and end caps are molded polycarbonate. Electrical capacity is 20 amps. Halo raceway track is UL/cUL listed.

TRACK SYSTEMS

HALO FOUR CIRCUIT TRACK L621, L622, L623



Four Circuit Trac Provides Concise Control of Each Circuit

- **L621**–4' Trac. Actual length 42 7/8" (1089mm). Finishes: White (P), Black (MB)
- **L622**–8' Trac. Actual length 90 7/8" (2308mm). Finishes: White (P), Black (MB)
- **L623**–12' Trac. Actual length 138 7/8" (3527mm). Finishes: White (P), Black (MB)

Four circuits give ample capacity for any lighting need, allowing greater load density (more watts per foot of track). The extra capacity can be used to make longer runs from a single feed point by spreading the load between the circuits. Additional circuits can be run through the integral raceway allowing even longer runs. Four Circuit Power-Trac offers greater flexibility. Four circuits can be individually switched to control

more lighting functions. The L963 Converter is required for Halo Power-Trac lampholders to be used with Four Circuit Trac.

Size

Four Circuit Trac is 1 3/4" (44mm) high and 1 3/4" (44mm) wide.

Connectors

Connectors simply push into the ends of the track, eliminating splicing. L's, T's and X's allow track to be assembled in almost any pattern.

Four Circuit Operations

Halo Four Circuit Trac allows greater density by carrying up to 60 AMPS, on 3-phase 4 wire system or 40 AMPS on single phase 3 wire system. Fully polarized and grounded throughout. UL/cUL listed.

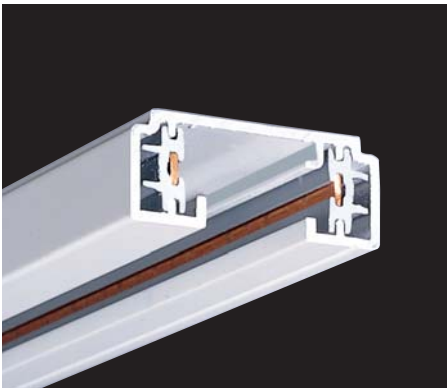


L963 Single-Circuit to Four-Circuit Converter with Switch

Finishes: White (P), Black (MB)

IMPORTANT: One L963 Converter is required for EACH lampholder used.

LAZER TRACK LZR102, LZR104, LZR106, LZR108



Lazer Track offers economy and Convenience

- **LZR102** – 2' Trac. Actual length 20 1/8" (511mm). Color Codes: P, MB
 - **LZR104**– 4' Trac. Actual length 44 1/8" (1121mm). Color Codes: P, MB
 - **LZR106** – 6' Trac. Actual length 68 1/8" (1730mm). Color Codes: P, MB
 - **LZR108** – 8' Trac. Actual length 92 1/8" (2340mm). Color Codes: P, MB
- The Lazer Two-Conductor track is available in two finishes and 4 lengths. The overall height is only 9/16" with a decorative reveal at the ceiling line.

Size

Lazer Track is only 9/16" (14mm) deep by 1 3/8" (35mm) wide.

Connectors

Connectors push into the ends of the Track. Straight, right angle and flexible connectors allow track to be assembled in almost any pattern.

Specifications

The structural channel is extruded aluminum with .050" nominal wall thickness. Conductors are solid copper buss bars encased in rigid extruded PVC insulators. Polarized connectors and end caps are molded polycarbonate. Electrical capacity is 20 AMPS. UL/cUL listed.

CONNECTORS & ACCESSORIES

Description	Miniature Power-Trac	Halo-2 Two Circuit	Raceway Trac	Recessed Raceway	Four Circuit	Lazer
Outlet Box Cover	L900	L900	L900	-	L900	-
Live End Connector	L901	L941	L911	L1931	L921	LZR200/LZR201
Straight Connector	L903	L943	L913	L1933	L923	LZR203
Flexible Connector	L902	L942	-	-	-	LZR211
L Connector	L904	L943	L914R/L914L	-	L924	LZR203
T Connector	L905	L945R/L945L	L915R/L915L	-	L925	LZR213R/LZR213L
X Connector	L906	L946	L916	-	L926	LZR214
Mini Joiner	L908	L949	-	-	-	LZR211
Floating Canopy & Connector	L909	L929	-	-	-	LZR202
Cord and Plug Connector	L950	-	-	-	-	LZR208
Conduit Connector	L979	L947	L981	-	L982	LZR204/LZR205
T-Bar Attachment Clip	L983	L983	L984	-	L983	LZR207
Pendant Assembly	L992	L992	L993	-	L954	L992

Cooper Lighting

Customer First Center
1121 Highway 74 South
Peachtree City, GA 30269

P: 770-486-4800
F: 770-486-4801

www.cooperlighting.com

International Sales, USA

Cooper Lighting
1121 Highway 74 South
Peachtree City, GA 30269

P: 770-486-4800
F: 770-486-4801

Canada

Cooper Lighting
5925 McLaughlin Road
Mississauga, Ontario L5R 1B8

P: 905-507-4000
F: 905-568-7049

The Cooper Lighting Family

Halo
Metalux
Lumark
Sure-Lites
Neo-Ray
Corelite
Portfolio
Iris
Shaper
io
Lumière
Invue
McGraw-Edison
Streetworks
Fail-Safe
MWS
DLS
RSA
Ametrix

Domestic Facilities

Cranbury, New Jersey
Elk Grove Village, Illinois
Irving, Texas
Ontario, California
Peachtree City, Georgia

Canadian Facilities

Calgary, Alberta T2E 7V9
Chomedey, Laval P.Q.

Halo, Power-Trac, Stasis, Halo-2 are valuable trademarks of Cooper Industries in the United States and other countries. You are not permitted to use the Cooper Trademarks without the prior written consent of Cooper Industries.

Cooper Industries, Ltd.
600 Travis, Ste. 5800
Houston, TX 77002-1001
P: 713-209-8400
www.cooperindustries.com