

# HALO®



**T24  
2005**  
California  
Title 24  
Compliant

## Track Current Limiter

Halo Single Circuit Track  
Halo-2 Two Circuit Track  
Lazer Track

**COOPER** Lighting

## Versatility... The Real Beauty of Track Lighting

Versatility has always been the hallmark of track lighting. The modular construction of track and the adjustment capabilities of track lampholders have allowed the lighting designer to place light exactly where needed and to easily adapt to changing display needs and retail configurations.

The increasing awareness of energy usage however has led to stringent legislation mandating rigid “watts-per-foot” requirements for track lighting. This in turn has led lighting designers to look for alternatives to track lighting, which was thought to be difficult to quantify and control in terms of energy usage. The Halo Track Current Limiter, even under tough legislative standards, makes it easy to understand and specify track lighting.

With the Halo Track Current Limiter, energy consumption can be controlled to exact requirements. Circuit breakers become an integral part of the track system and can be selected from 120 watts up to 1200 watts. Should the track section exceed its load rating, the circuit breaker trips and shuts off power to that track section ensuring compliance with load requirements.

Control is added and the real beauty of track lighting...versatility ...is restored.



### Features and Benefits

- End-feed and Center-feed capable:
  - Halo Power-Trac one and two-circuit track systems
  - Lazer one-circuit track system.
- Five breaker sizes are available.  
Consult factory if other sizes are required.
- Can be utilized on hard or grid ceilings.
- Can be used with pendant suspended track.
- Breaker can be used as an on-off switch.
- Breaker features a “tripped” condition indicator.
- Feeds employing two circuit breakers do not require breakers to be the same size. Each breaker can be sized according to desired load.
- Approved by the California Energy Commission – meets Title 24 requirements.
- cULus Listed



### Feeds and Circuit Breaker Types

#### Power-Trac Single Circuit

LC901P, MB	End feed connector and housing, White/ Black
LC903P, MB	Center feed connector and housing, White/ Black

#### Power-Trac Two Circuit

LC941P, MB	End feed connector and housing, White/ Black
LC943P, MB	Center feed connector and housing, White/ Black

#### Lazer

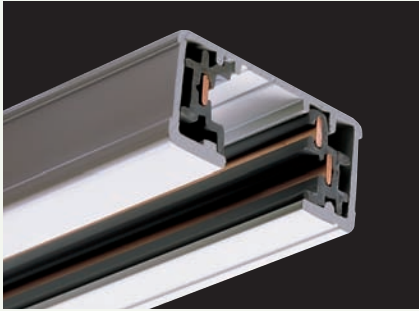
LZRC201P, MB	End feed connector and housing, White/ Black
LZRC203P, MB	Center feed connector and housing, White/ Black

#### Circuit Breakers

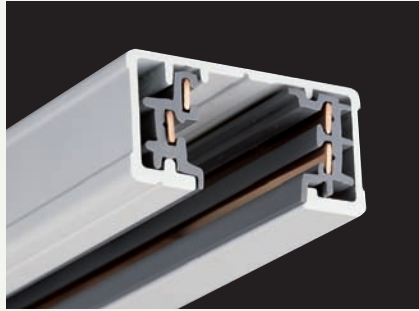
CB120P, MB	Circuit breaker 1 amp @ 120V = 120W
CB300P, MB	Circuit breaker 2.5 amp @ 120V = 300W
CB600P, MB	Circuit breaker 5 amp @ 120V = 600W
CB960P, MB	Circuit breaker 8 amp @ 120V = 960W
CB1200P, MB	Circuit breaker 10 amp @ 120V = 1200W

#### Finish Codes:

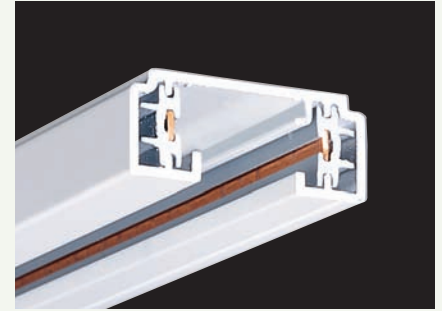
P = White  
MB = Black



**Halo Power-Trac Single Circuit**  
**L650=2' track, L651=4' track,**  
**L652=8' track, L653=12' track**

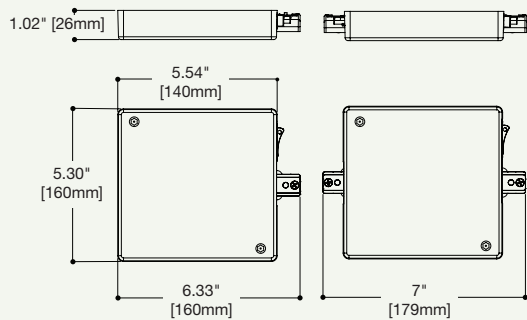


**Halo-2 Power-Trac Two Circuit**  
**L641=4' track, L642=8' track,**  
**L643=12' track**



**Lazer Single Circuit**  
**LZR102=2' track, LZR104=4' track,**  
**LZR106=6' track, LZR108=8' track**

**Halo Power-Trac Single Circuit Current Limiter**

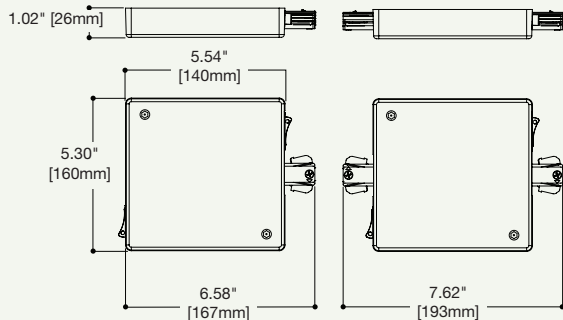


Sample catalog number: LC901CB120P (Field assembly of feed and circuit breaker required)

Feed Type	Circuit 1 Breaker	Finish
<b>LC901 = Halo</b> Power-Trac 1-Circuit End Feed <b>LC903 = Halo</b> Power-Trac 1-Circuit Center Feed	<b>CB120 = 120W</b> (1A @ 120V) <b>CB300 = 300W</b> (2.5A @ 120V) <b>CB600 = 600W</b> (5A @ 120V) <b>CB960 = 960W</b> (8A @ 120V) <b>CB1200 = 1200W</b> (10A @ 120V)	<b>P = White</b> <b>MB = Black</b>

Consult factory for Single Circuit Center-feed requiring two circuit breakers

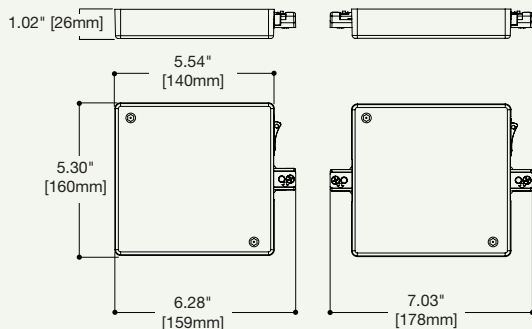
**Halo-2 Power-Trac Two Circuit Current Limiter**



Sample catalog number: LC941CB120CB600P (Field assembly of feed and circuit breaker required)

Feed Type	Circuit 1 Breaker	Circuit 2 Breaker	Finish
<b>LC941 = Halo</b> Power-Trac 2-Circuit End Feed <b>LC943 = Halo</b> Power-Trac 2-Circuit Center Feed	<b>CB120 = 120W</b> (1A @ 120V) <b>CB300 = 300W</b> (2.5A @ 120V) <b>CB600 = 600W</b> (5A @ 120V) <b>CB960 = 960W</b> (8A @ 120V) <b>CB1200 = 1200W</b> (10A @ 120V)	<b>Blank = No Breaker</b> Required <b>CB120 = 120W</b> (1A @ 120V) <b>CB300 = 300W</b> (2.5A @ 120V) <b>CB600 = 600W</b> (5A @ 120V) <b>CB960 = 960W</b> (8A @ 120V) <b>CB1200 = 1200W</b> (10A @ 120V)	<b>P=White</b> <b>MB=Black</b>

**Lazer Single Circuit Current Limiter**



Sample catalog number: LZRC201CB120P (Field assembly of feed and circuit breaker required)

Feed Type	Circuit Breaker	Finish
<b>LZRC201 = Lazer</b> 1-Circuit End Feed <b>LZRC203 = Lazer</b> 1-Circuit Center Feed	<b>CB120 = 120W</b> (1A @ 120V) <b>CB300 = 300W</b> (2.5A @ 120V) <b>CB600 = 600W</b> (5A @ 120V) <b>CB960 = 960W</b> (8A @ 120V) <b>CB1200 = 1200W</b> (10A @ 120V)	<b>P = White</b> <b>MB = Black</b>

Consult factory for Single Circuit Center-feed requiring two circuit breakers

**Cooper Lighting, LLC.**

Customer First Center  
1121 Highway 74 South  
Peachtree City, GA 30269

P: 770-486-4800

F: 770-486-4801

[www.cooperlighting.com](http://www.cooperlighting.com)

**International Sales, USA**

Cooper Lighting, LLC.  
1121 Highway 74 South  
Peachtree City, GA 30269

P: 770-486-4800

F: 770-486-4801

**Canada**

Cooper Lighting, LLC.  
5925 McLaughlin Road  
Mississauga, Ontario L5R 1B8

P: 905-507-4000

F: 905-568-7049

**The Cooper Lighting Family**

Halo

Metalux

Lumark

Sure-Lites

Neo-Ray

Corelite

Portfolio

Iris

Shaper

io

Lumière

Invue

McGraw-Edison

Streetworks

Fail-Safe

PDS

MWS

DLS

RSA

Ametrix

**Domestic Facilities**

Cranbury, New Jersey  
Elk Grove Village, Illinois  
Irving, Texas  
Ontario, California  
Peachtree City, Georgia

**Canadian Facility**

Calgary, Alberta T2E 7V9

Halo, Power-Trac, Lazer are valuable trademarks of Cooper Industries in the United States and other countries.  
You are not permitted to use the Cooper Trademarks without the proper written consent of Cooper Industries.

**Cooper Industries, Ltd.**  
600 Travis, Ste. 5800  
Houston, TX 77002-1001  
P: 713-209-8400  
[www.cooperindustries.com](http://www.cooperindustries.com)