

AtLite[®]

6CHEL SERIES

DIE-CAST ALUMINUM
EMERGENCY LIGHTING

The AtLite 6CHEL emergency light provides a distinct solution to any emergency application. Constructed of die-cast aluminum, the light offers not only a unique shape and design but also provides dependable power and is durable. Offered in three popular finishes, the 6CHEL will blend well in a variety of environments and is suited for both commercial and industrial applications.

6CHEL STANDARD FEATURES:

- Die-Cast Aluminum Housing
- 12W MR16 LAMPS (50' Spacing¹)
- Damp Location Listed (UL924)
- Self-Diagnostics and Laser Testing
- Reverse Mounting

FAS-TEST™ LASER TESTING

A quick and convenient way to verify the proper operation of the transfer circuit and emergency lamps. A laser pointer (sold separately as an accessory) is utilized to activate a photocell test switch from a distance of up to 30'.

**Laser
Testing**

Indicator	Meaning
● Steady	Float Charge
● Pulse	High Charge
● - ●	Battery Failure
● - ● - ●	Circuit Failure
● - ● - ● - ●	Lamp Failure
TEST	INDICATOR

WATCHGUARD EMS SELF-DIAGNOSTIC SYSTEM

The self-diagnostic unit will automatically perform all tests required by UL924 and NFPA 101. The system indicates the status of the exit at all times using an LED indicator that is located near the test switch.



COOPER Lighting

Key Features

Electrical

Dual Voltage Input, 120/277 VAC, 60Hz
 Low Voltage Disconnect
 Line-latching
 Brownout Circuit
 Watchguard EMS Self-Diagnostic System
 Fas-Test™ Photocell Test Switch
 Fully Recharged in 24hrs

Housing Construction

Die-Cast Aluminum Housing
 Powder Coat Finish
 Universal/Reverse Mounting
 1/2" Threaded Conduit Access
 Snap Fit Design

Battery

Sealed Lead Calcium
 Long Life, Maintenance Free

Warranty

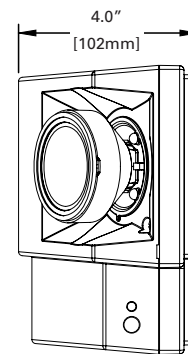
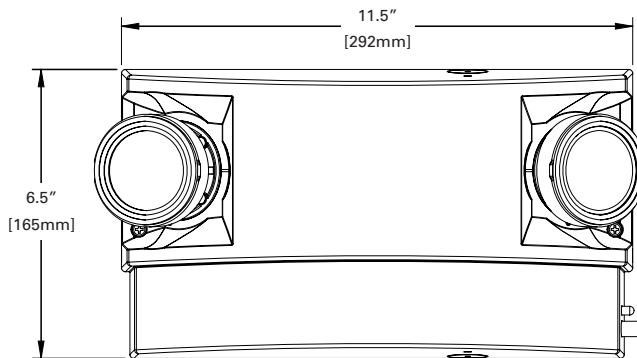
Unit – 1 Year
 Battery – 5 Year Pro-Rata

Head/Lamp Data

Two adjustable 6V 12W
 MR16 Lamps

Code Compliance

UL 924 Listed
 NYC Electrical Code Compliant
 Life Safety NFPA 101
 NEC/OSHA



Ordering Information

ELECTRICAL RATINGS

Model	Rated Wattage to 87 1/2% of Rated D.C. Voltage		Lamp Information			
	DC Voltage	1 1/2 Hours	Type	Wattage	Number	Spacing ⁽¹⁾
6CHEL1SD	6	24	MR16	12	29-140	50'

ORDERING INFORMATION

SAMPLE NUMBER: 6CHEL1SD

6CHEL1		SD		Accessories (order separately)
Family 6CHEL1 =Architectural Emergency Light	Housing Finishes Blank=Silver BK =Black WH =White	SD =Self Diagnostics (Standard)	Options TDM =Time Delay Monitor	LASER =Key Chain, Red Laser Pointer (activation tested at 30 feet)

⁽¹⁾ The "Rule of Thumb" spacing guidelines are designed to achieve 1 foot-candle average and 0.1 foot-candle minimum with a 40:1 maximum/minimum ratio. The corridor used is 100 feet long with a 9 foot ceiling, 6 foot wide walkway, and a 3 foot path of egress. The reflectances are 80% ceiling, 50% walls and 20% floors. The fixture mounting height is 7.5 feet with a lamp head angle of 60 degrees. Cooper Lighting assumes no responsibility for local requirements or specific project variables. This is a guideline to be used as a design aid, not as guarantee of any code compliance.

