

## DESCRIPTION

The ACE Circular exit series is an architectural grade die-cast, UL 924 code compliant product designed to operate for a minimum of 90 minutes during a power outage. Key features include a patent pending circular form factor, an LED source with red or green output, a no maintenance nickel cadmium battery, universal mounting, along with a 5-year product warranty and a 7-year pro-rated battery warranty. Stocked colors include white, black and silver with black trim. The series comes standard with labor savings self-diagnostics and is available with a 2 circuit option or as special signage. The color and pattern of the face plate can be specified for both Exit and signage applications.

<b>Catalog #</b>		<b>Type</b>
<b>Project</b>		
<b>Comments</b>		<b>Date</b>
<b>Prepared by</b>		

## SPECIFICATION FEATURES

### Electrical

#### General Features

- Red or green sign capability
- Dual Voltage Input 120/277 VAC, 60Hz
- available in 240 volt with the INT kit option

#### AC Only

- Optional 2C (Two circuit, FTBR) available in 120/277 VAC in standard and emergency operation

#### Self Powered

- Sure-Lites EZ Key patented external battery disconnect feature – prevents unnecessary battery drainage, saves on installation time
- Solid-state voltage limited charger
- Brownout circuit
- Low-Voltage Disconnect
- Test Switch/Power indicator light
- Standard 24 hour recharge

time (max)

- Self-diagnostic capability standard
- Fire alarm interface capable with the SLFAI kit option

#### Housing Construction

- Die-cast aluminum housing
- Die-cast canopy included
- Knockout provided on housing for surface attachment
- Exit can be universally mounted: ceiling, wall or end
- Choice of three finishes: black housing with painted silver face, white housing with white face or black housing with black face
- NFPA 101 compliant knockout chevrons allow quick conversion to directional signs
- Field configurable for single or double sided
- Available in pendant mount or mullion mount with the ACEMM kit

#### Code Compliance

- UL 924 Listed
- UL Damp Location (10-40 °C)
- Life Safety NFPA 101
- NEC/OSHA
- Most State and Local Codes

#### Lamp Data

- AC LED: Red or green LED lamps provide uniform diffused illumination
- DC: Red or green LED DC lamps (Brighter in emergency mode)

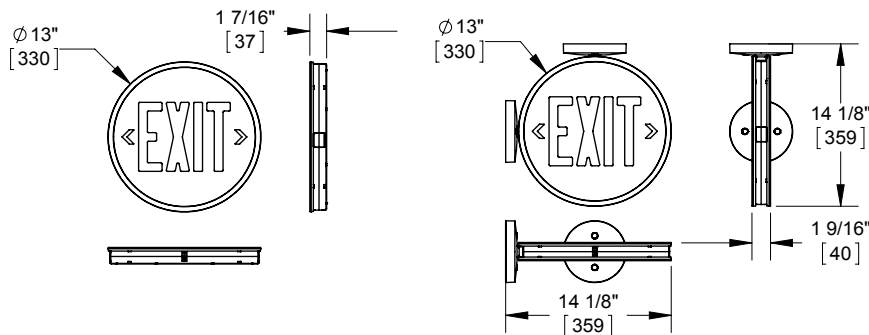
#### Warranty

- Exit: 5-Year
- Battery: 7-year pro-rata



## ACE SERIES

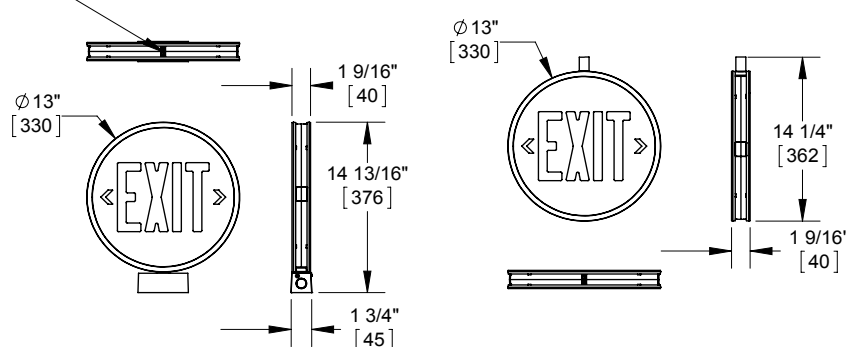
- CIRCULAR FORM FACTOR
- DIE-CAST ALUMINUM
- LED SOURCE
- EXIT LIGHTING
- NICKEL CADMIUM BATTERY
- SELF-DIAGNOSTICS
- SIGNAGE OPTIONS



WALL MOUNT

WALL END OR CEILING MOUNT

FOR MULLION MOUNT, TEST BUTTON AND INDICATOR LIGHT ARE MOVED TO TOP OF FIXTURE.



MULLION MOUNT

PENDANT MOUNT

## ELECTRICAL DATA

<b>120V - Red</b>	<b>120V - Green</b>
Amps: 0.08	Amps: 0.08
Watts: 0.9	Watts: 1.03
Power Factor: 0.11	Power Factor: 0.2
<b>277V - Red</b>	<b>277V - Green</b>
Amps: 0.08	Amps: 0.08
Watts: 1.1	Watts: 1.5
Power Factor: 0.08	Power Factor: 0.1

## CATALOG LOGIC

SAMPLE NUMBER: ACE7RSD

Series	Battery	Letters	Housing Color	Self-diagnostics
ACE	6 = AC only 7 = w/battery	R = Red G = Green	_ = silver w/black trim WH = white BK = black	SD = self-diagnostics (only for battery versions)

Accessory ACEMM-KIT = Mullion mount or pendant mount kit (purchased separately)

Accessory ACE2CR-KIT (red), ACE2CG-KIT (green) = 2C kit adds 2 circuit capability to AC only versions

Options	Catalog Logic
2 circuit for red kit	ACE2CR-KIT
2 circuit for green kit	ACE2CG-KIT
Mullion/pendant mount kit, white	ACEMM-WH-KIT
Mullion/pendant mount kit, black	ACEMM-BK-KIT
Fire alarm interface "FAI" (self-powered only)	SLFAIKIT
Kit to enable 240 V operation; AC only	ACE6-INT-KIT
Kit to enable 240 V operation; self-powered	ACE7-INT-KIT

## TECHNICAL DATA

**Lamps**

ACE series Exits use energy efficient, long life LED's to provide uniform diffuse illumination of the exit face. These red and green LEDs require no maintenance and consume less than one watt, on average.

**Housing Construction**

Die-cast aluminum with silver painted face and black trim standard. Optional finishes include White and Black. NFPA 101 compliant knockout chevrons for easy conversion to directional sign. Universal pattern knockouts are in the back of the single face housing for direct mounting to junction box. Die-cast aluminum alloy canopy included for universal mounting. Canopy is included for mounting convenience only—no electrical components in canopy. This kit enables the fixture to be mounted to a pendant or mullion mounted (inverted surface mounting). It is ordered separately. It is available in black or white.

**Lens**

Lenses for the ACE series Exits are made from durable, impact resistant polycarbonate. All exit faces are designed with knock-out chevron directional indicators to insure maximum visibility and compliance with the latest codes. Units come with red lenses or green lenses installed.

**Sure-Lites EZ Key External Battery Disconnect (Self Powered Only)**

Patented technology that allows installers to externally control the battery connection. This feature is superior to line latching as it enables the installer to choose when the battery is connected so that the battery isn't cycled when power is turned off during the construction process. This also insures the battery is properly changed for the certificate of occupancy inspection.

**240 volt Operation**

240 volt operation is enabled with the addition of the ACE6-INT-KIT for AC only or the ACE7-INT-KIT for the self-powered versions. This kit is field installed.

**Fire Alarm Interface**

Fire alarm interface is enabled with the addition of the SLFAIKIT kit. This option only works with self-powered exits. This kit is field installed.

**Brownout Circuit (Self Powered Only)**

The brownout circuit on Sure-Lites' exits monitors the flow of AC current to the exit and activates the emergency lighting system when a predetermined reduction of AC power occurs. This dip in voltage will cause most ballasted fixtures to extinguish causing loss of normal lighting even though a total power failure has not occurred.

**Solid-State Transfer (Self Powered Only)**

The ACE series Exit incorporates solid-state switching which eliminates corroded and pitted contacts or mechanical failures associated with relays. The switching circuit is designed to detect a loss of AC voltage and automatically energizes the lamps using DC power. Upon restoration of AC power, the DC power will be disconnected and the charger will automatically recharge the battery.

**Low Voltage Disconnect (Self Powered Only)**

When the battery's terminal voltage falls, the low-voltage circuitry disconnects the lighting load. The disconnect remains in effect until normal utility power is restored, preventing deep battery discharge.

**Test Switch/Power Indicator Light (Self Powered Only)**

A test switch located on the side of the exit permits the activation of the emergency circuit for a complete operational systems check. The Power Indicator Light provides visual assurance that the AC power is on.

**Sealed Nickel Cadmium Battery (Self Powered Only)**

Sure-Lites sealed nickel cadmium batteries are maintenance-free with a life expectancy of 15 years. The sealed rechargeable nickel cadmium battery offers high discharge rates and stable performance over a wide range of temperatures, from 10-40 °C. The specially designed re-sealable vent automatically controls cell pressure, assuring safety and reliability.

**"2C" (AC Only)**

The "2C" Option enables the Exits to operate per the requirements of UL 924 when connected simultaneously to both normal and emergency power circuits (two circuit operation—UL Category FTBR—Emergency Lighting and Power Equipment). The "2C" Option is UL Listed under the FTBR Category. This option should only be used for exits which are intended to be connected simultaneously to normal and emergency power circuits. Both circuits have universal 120/277 VAC standard. Order accessory kit ACE2CR-KIT for red and ACE2CG-KIT for green.

**Self Diagnostics (Self Powered Only)**

The self-diagnostic unit will automatically perform all tests required by UL924, and NFPA 101. The system indicates the status of the exit at all times using the LED indicator near the test switch on the side of the unit. A 90 minute battery power (emergency mode) simulation test will occur randomly once every 12 months. A 30 second battery power simulation test will occur every 30 days.

**Warranty**

All Sure-Lites' products are backed by a firm five-year warranty against defects in material and workmanship. Maintenance-free, long-life, sealed nickel cadmium batteries carry a seven-year pro-rata warranty.