

## Auxiliary Installation Instruction for the Sure-Lites AC

### WARNING

#### Risk of Fire/Electric Shock

If not qualified, consult an electrician.

### WARNING

#### Risk of Electric Shock

Disconnect power at fuse or circuit breaker before installing or servicing.

## Important Safeguards

WHEN USING ELECTRICAL EQUIPMENT, BASIC SAFETY PRECAUTIONS SHOULD ALWAYS BE OBSERVED INCLUDING THE FOLLOWING.

1. READ AND FOLLOW ALL SAFETY INSTRUCTIONS
2. Do not use outdoors
3. Do not use near gas or electric heaters.
4. Do not let power supply cords touch hot surfaces.
5. Do not use this equipment for other than the intended use.
6. The use of accessory equipment not recommended by the manufacturer may cause an unsafe condition.
7. Equipment should be mounted in locations and at heights where it will not readily be subjected to tampering by unauthorized personnel.
8. Install in accordance with National Electric Code and local regulatory agency requirements Installation is to be performed only by qualified personnel.
9. DO NOT EXCEED TOTAL OUTPUT RATING of source power equipment

**SAVE THESE INSTRUCTIONS**

## Instructions For Board Replacement

1. De-energize all power circuits that will be connected to the ACE.
2. The Pendant mount kit has a female 3/8" – 18 NPS Straight Pipe thread in it. Ensure that the intended pendant mounting location has the appropriate mating hardware. Some configurations of the ACE can weigh up to seven (7) pounds. Ensure your mounting location is rated to support the weight of the ACE and attached conduit.
3. Run your cable through your hanging conduit and the pendant mount adapter with the threaded side of the adapter towards your conduit. Screw the adapter onto your conduit. Orient the adapter to the correct angle so that the face will point in the intended direction.
4. Open the ACE by inserting a flat head screwdriver in the slots at the top and bottom of the ACE. Rotate the screwdriver to separate the face from the body. (See Standard Instructions)
5. Determine the desired configuration of the sign. See standard instructions for further details on how to configure the unit. Assemble the selected back face onto the unit.
6. Remove the top canopy hole cover opposite the test button and EZ-Key.
7. Extend your AC supply into the unit from the top canopy hole you have exposed.
8. Insert the pendant mount adapter through the exposed canopy hole until the adapter makes contact with the unit. Lock the ACE onto the pendant mount adapter by rotating the smaller side of the canopy hole towards the pendant mount adapter. Rotate the ACE until the snap engages, preventing any motion out of the hole. (See Figure 2)
9. Refer to standard instructions to complete the installation process.

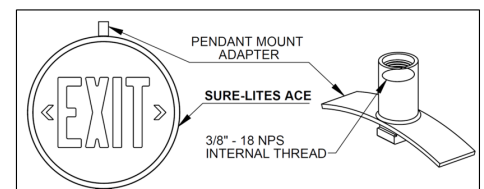


FIGURE 1

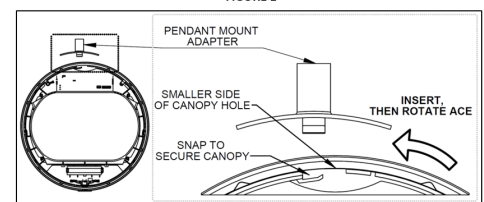


FIGURE 2

# EATON

Powering Business Worldwide

# Instructions for Mullion Installation

1. De-energize all power circuits that will be connected to the ACE.
2. Bring power through the mullion to the fixture location using MC type cable. If using the bottom conduit entry hole on the ACE Mullion Base (See Figure 3), a standard threaded conduit hub can be used, however, a push-in connector is highly recommended due to the smaller hole it requires in the mullion mounting surface. (See Figure 4)
3. Open the ACE by inserting a flat head screwdriver in the slots at the top and bottom of the ACE. Rotate the screwdriver to separate the face from the body. (See Standard Instructions)
4. Determine the desired configuration of the sign. See standard instructions for further details on how to configure the unit. (The faces bearing the word "EXIT" can be inserted upside down to assist with mullion mounting.) Assemble the desired back face onto the unit.
5. Remove the top canopy hole cover opposite the test button and EZ-Key.
6. Knock-out the appropriate entry hole on the ACE Mullion Base. (See Figure 3) Feed your incoming AC power line through the hole and secure your conduit or cable to the ACE Mullion Base.
7. Using self-drilling screws, screw through the holes located in the bottom of the ACE Mullion Base and into the mullion surface. (See Figure 4) Some configurations of the ACE can weigh up to seven (7) pounds. Ensure your mounting location is rated to support the weight of the ACE and attached conduit.
8. Feed your wires through the ACE Mullion Mount Base and through the ACE Mullion Mount Cover. Insert the two arms on the bottom side of the Mullion Mount Cover into the corresponding holes on the base. Secure the cover by tilting it down to lie flush with the base, and screwing in two screws into the holes on either side of the ACE Mullion assembly. (See Figure 3)
9. Feed your wires coming from the ACE Mullion assembly into your ACE through the open canopy hole.
10. Insert the mullion mount adapter through the exposed canopy hole until the adapter makes contact with the unit. Lock the ACE onto the mullion mount adapter by rotating the smaller side of the canopy hole towards the pendant mount adapter. Rotate the ACE until the snap engages, preventing any motion out of the hole. (See Figure 5)
11. Refer to standard instructions to complete the installation process.

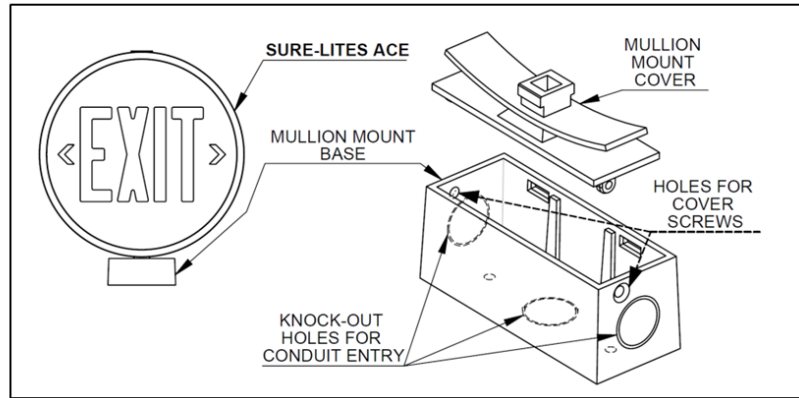


FIGURE 3

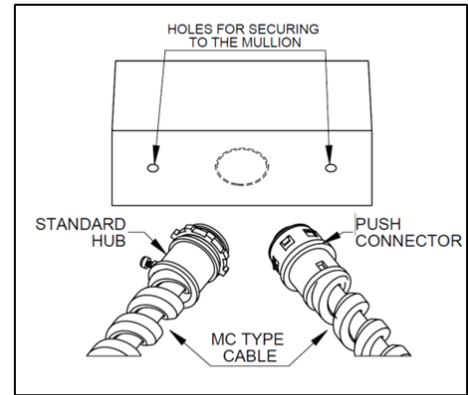


FIGURE 4

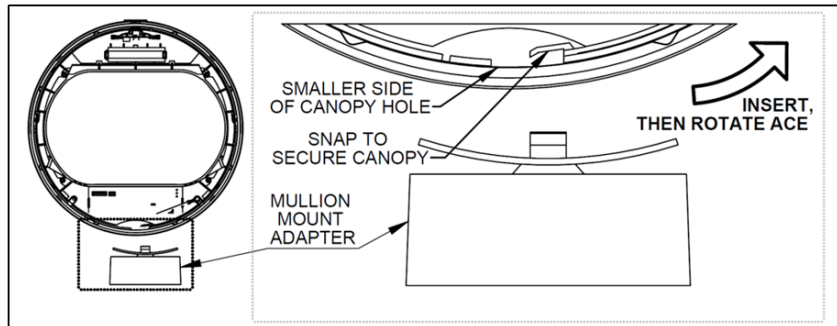


FIGURE 5

## Maintenance

None required. However, it is recommended that the equipment be tested regularly in accordance with local codes.

**NOTE:** Servicing of any parts should be performed by qualified personnel. Only use replacement parts supplied by Eaton.

## Trouble Shooting Guide

See standard installation instructions.