

Shaper

DESCRIPTION

The 141 series is a decorative pendant family with a rectilinear form. This product is a rectangular shade with translucent materials, to highlight elegant spatial forms. The integral LED light engine is available in 2700K, 3000K, 3500K, and 4000K color temperatures that evenly illuminates the shade and the bottom lens at 83+ CRI. The stem, canopy, and finial finishes are available in many painted options. Shaper's Fabrique collection is known for its high quality hand tucked fabrics. Heavy gauged steel frame, laminated styrene backing, and minimum internal structure. Shades come in two standard sizes, eleven standard fabrics, three vinyl materials, four printed wood patterns, and two translucent organza fabrics.

SPECIFICATION FEATURES

Material/Mounting

Aluminum housing, aluminum steel cover and bracket extensions with LED boards attached. Matte white acrylic bottom diffuser with two finials, standard. Optional matte white acrylic top cover available (TC).

13"x5" rectilinear canopy plate. Two stems are 1/2" aluminum tubing with threaded rod. Slope adapter option available (SCA-XX 8°- 45°, but slope dimension must be provided).

38" Shade

Standard length = 24" OAH (Overall Height)

Min	Max
10" OAH	96" OAH

48" Shade

Standard length = 24" OAH (Overall Height)

Min	Max
14" OAH	96" OAH

Stem Options

Double Rigid Stem	-P2S
-------------------	------

Consult factory for non standard lengths under 10" and over 96".

Painted Finishes

(canopy, stem, and finial)
ALP - Aluminum Paint
BM - Bronze Metallic
DP - Dark Platinum

GRM - Graphite Metallic
MB - Matte Black
MW - Matte White
CC - Custom Color – Specify Consult factory for custom color.

Shades

Aluminum wire frame painted white. Material backed on to heavy translucent white styrene. All shades have "Hand-Tucked Rolled Edges" except for Vinyl.

Fabric Shade Selections

SIW - Silk White
SIY - Silk Ivory
SWH - Shantung White
SEG - Shantung Eggshell
SBG - Shantung Beige
GBB - Glynn Brussels Beige
LOLA - Lola Sand
NGS - Silk Glow
LCK - Linen Chopstick
LAT - Linen Alabaster
VLW - Verona Linen White

Vinyl Coated Fabric

ABR - Alabaster Vinyl
NFX - Natural Flax
GHY - Golden Honey
Note: For humid environments, such as showers or open lobbies, Vinyl Coated Fabrics are recommended.

Printed Woods

PVDB - Varigated Bamboo
PMA - Maple
PCH - Cherry
PWA - Walnut

Organza Outer Shade Options

EDT - Earth Dust
WMT - White Mist

LEDs

LEDs are offered in four color temperatures: 2700K, 3000K, 3500K, and 4000K CCTs at 83+ CRI. Rated Lamp Life: 50,000 hrs

Electrical

Standard driver electronic universal voltage (120-277V, 50/60 Hz), greater than 0.9 power factor, less than 20% harmonic distortion, and ambient temperatures of 25°C (77°F).

Control

Standard driver is 0-10V with 10% dimming.

Compliance

Components are UL recognized and luminaires are cUL listed for 25° ambient environments. Fixtures are rated for damp location listing. All LED components are RoHS compliant and drivers conform to appropriate FCC regulations. Sconce products meet ADA regulations.

Life and Warranty

Standard five-year warranty on all parts.



141 SERIES

Rectilinear Surface Area: 38" x 5" x 6"

- Delivered Lumens (@3500K): 5009
- Wattage: 70W
- CRI: 83+
- CCT: 2700K, 3000K, 3500K, 4000K

Rectilinear Surface Area: 48" x 8" x 10"

- Delivered Lumens (@3500K): 7903
- Wattage: 89W
- CRI: 83+
- CCT: 2700K, 3000K, 3500K, 4000K



Light ARchitect™

ORDERING INFORMATION (Select FIXTURE NUMBER and SHADE NUMBER to complete specification)

Fixture Number: 141-38-P2S-L7/835-UNV-MW-24

Series ¹	Size	Mounting Type	LED Lamp		LED Voltage	Finish	Options ²	Overall Height (OAH)
			38"	48"				
141 = Rectilinear Pendant	38 = 38" 48 = 48"	P2S = Double Stem	L7/827 L7/830 L7/835 L7/840	L9/827 L9/830 L9/835 L9/840	UNV (120-277)	MW = Matte White MB = Matte Black BM = Bronze Metallic DP = Dark Platinum ALP = Aluminum Paint GRM = Graphite Metallic CC = Custom Color specify	SCAXX = Sloped ceiling adapter 8°-45° TC = White Acrylic Top Cover	24 = 24" OAH XX" = custom length must be specified (141-38=10"- 96" (141-48=14"- 96")

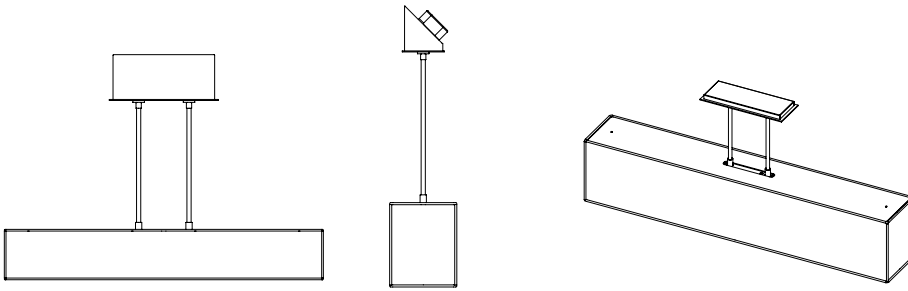
Notes: ¹ Fabric shade not included. Please specify fabric shade from selections provided to complete fixture order. ² Sloped ceiling adapter can accommodate up to 8-45 degree slope. Slope dimension must be provided.

³ Shade in Shade option for Fabric selections only.

Shade Number: 141-38-SHD-SIW

Series	Size	SHD	Finish		Options	
141 = Rectilinear Shade	38 = 38" 48 = 48"	SHD = Shade Fabric	Fabric: SIW = Silk White SIY = Silk Ivory SWH = Shantung White SEG = Shantung Eggshell SBG = Shantung Beige GBB = Glynn Brussels Beige	LOLA = Lola Sand NGS = Silk Glow LCK = Linen Chopstick LAT = Linen Alabaster VLW = Verona Linen White	Vinyl: ABR = Alabaster Vinyl NFX = Natural Flax GHY = Golden Honey Printed Woods: PVDB = Varigated Bamboo PMA = Maple PCH = Cherry PWA = Walnut	Organize Shade in Shade SIS-EDT = Earth Dust SIS-WMT = White Mist

OPTIONS

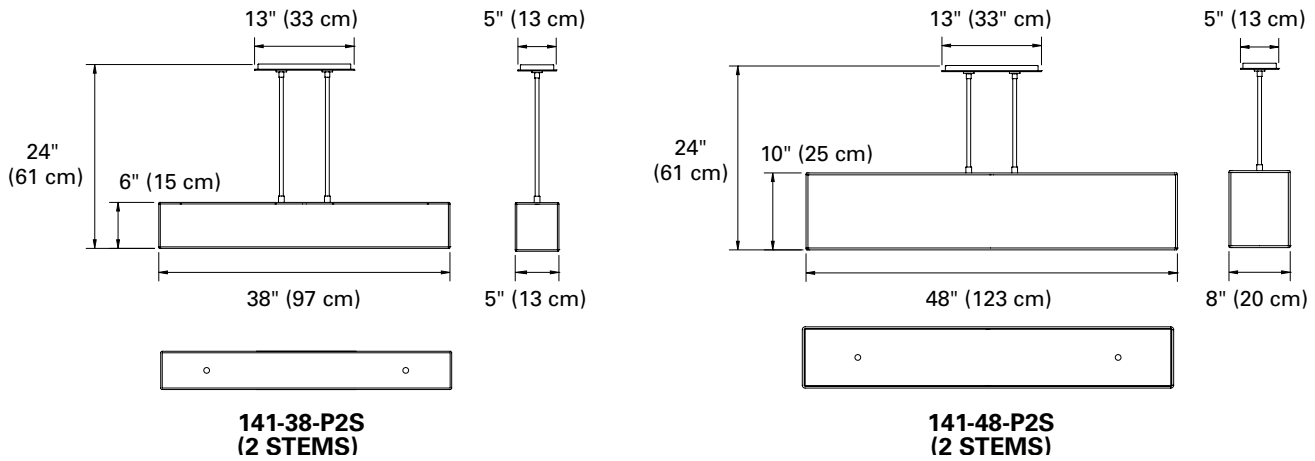


141-P - SLOPED CEILING ADAPTOR (SCA)

141-P - SCA SIDE VIEW

141-P - TOP COVER (TC)

DIMENSIONS



141-38-P2S (2 STEMS)

141-48-P2S (2 STEMS)