



VERSYS

Architectural Recessed T5 Fluorescent

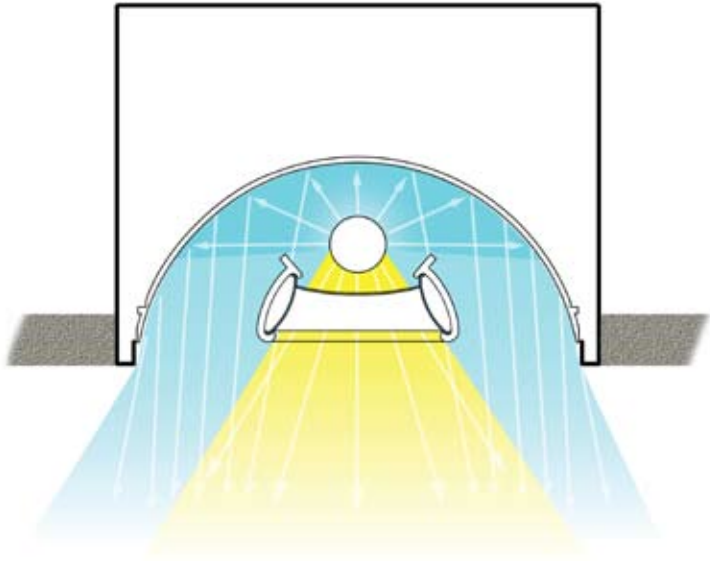


VERSYS A revolutionary **versatile system** that seamlessly integrates vital building systems, high efficiency lighting and visual comfort into one exquisite element



VERSYS Elegance meets Efficiency

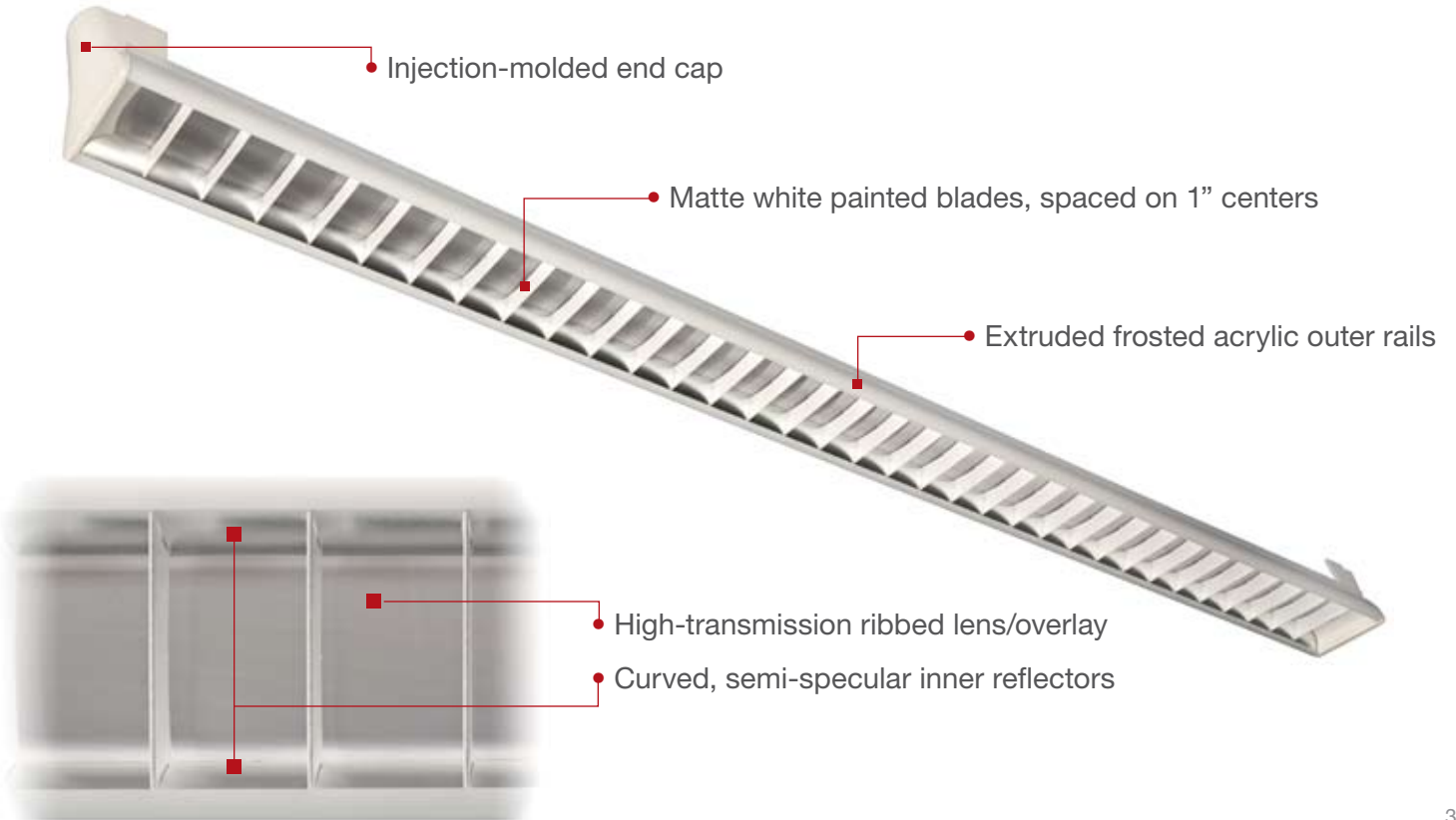
MAXIMIZING LIGHT OUTPUT



- Direct light passes through the ribbed lens and micro-louver, blends with light from the semi-specular reflectors
- Indirect light is reflected by the curved upper reflector

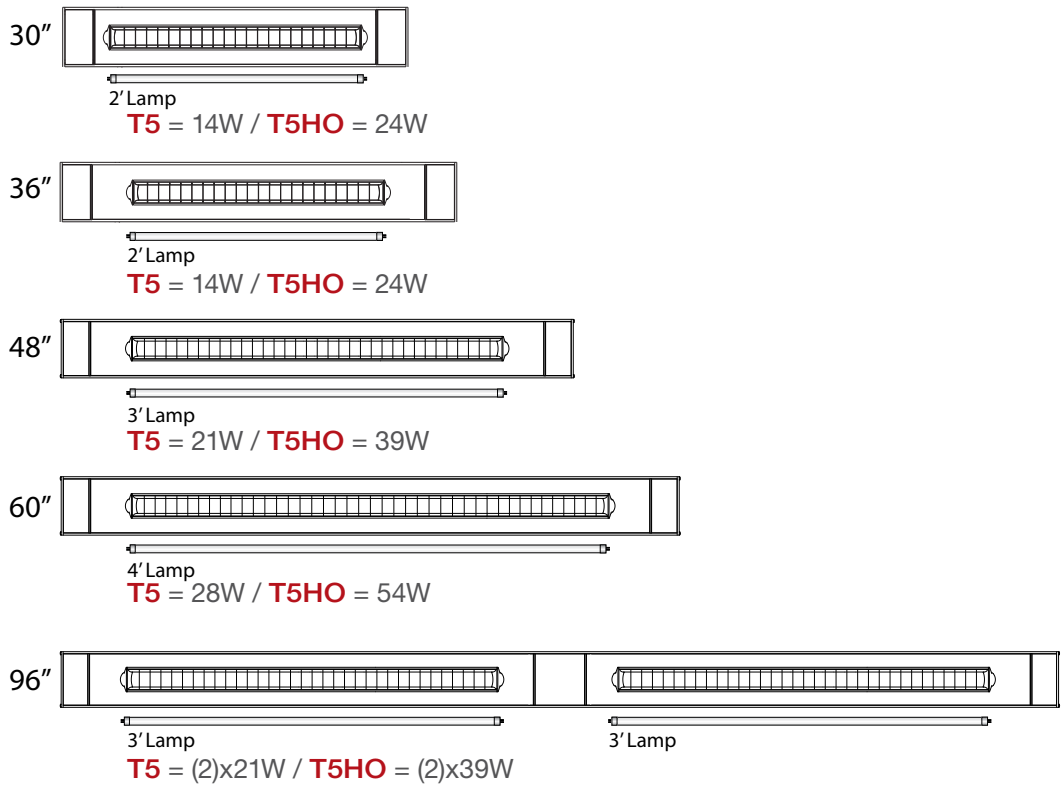
THE LENSED MICROLOUVER

High efficiency - 80%
 Comfort and Low Glare - meets RP-1-04 VDT Intensive Criteria

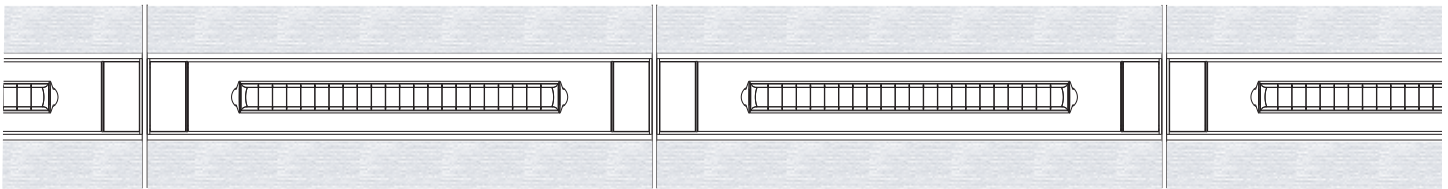


VERSYS Layout Configurations

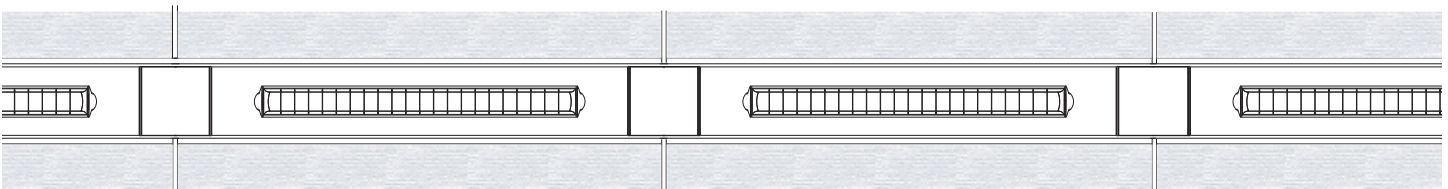
INDIVIDUALLY INSTALLED FIXTURES



CONTINUOUS ROW INSTALLATION WITH INDIVIDUAL FIXTURES



CONTINUOUS ROW INSTALLATION WITH STANDARD BLANK COVER PLATES*



* See next page for optional utility module plates

VERSYS Modular Integration of Lighting and Building Systems

Utility Module Options*



Daylight Sensor



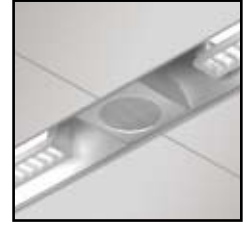
Motion Sensor



Fire Sprinkler



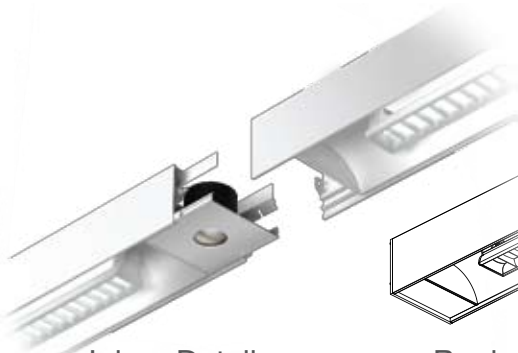
Downlight



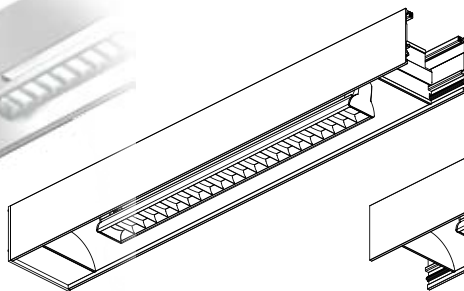
Air Return



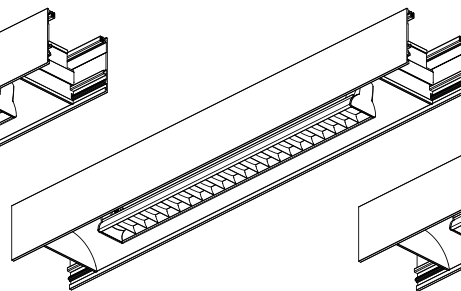
Continuous Run Details



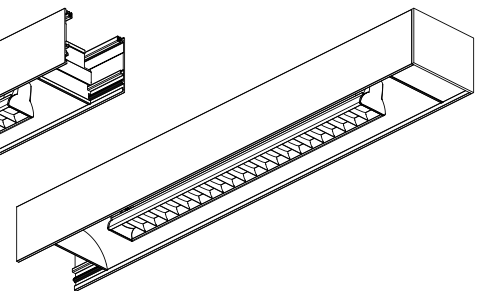
Joiner Detail



Beginning of Run



Intermediate



End of Run

*NOTE: Daylight sensors, motion sensors, sprinklers and speakers not by Neo-Ray. Utility covers to accommodate the aforementioned accessories are available from Neo-Ray.

VERSYS Designing for Energy Efficiency

Private Office



Specifications:

Ceiling Height = 9'
 Room Size = 12' x 20'
 Reflectances = 80/50/20
 Fixture Qty = 6

Fixture = 5' length, 6" width
 Fixture Spacing = 5'
 Lamp = 4' T5 28 watt
 Ballast Factor = 0.85

Results:

Average maintained illumination: 45 Foot Candles
 Power Density: 0.74 Watts/Sq. Ft.

Open Office / Conference Room



Specifications:

Ceiling Height = 9'
 Room Size = 40' x 25'
 Reflectances = 80/50/20
 Fixture Qty = 32

Fixture Type = 5' length, 6" width
 Fixture Spacing = 5'
 Lamp = 4' T5 28 watt
 Ballast Factor = 0.85

Results:

Average maintained illumination: 46 Foot Candles
 Power Density: 0.85 Watts/Sq. Ft.

ENERGY REDUCTION COMPARISON

Fixture	Housing Length (nominal)	Lamp Length (nominal)	Lamp Wattage	Fixture Efficiency	Available Lumens (lamp)	Delivered Lumens (fixture)	Energy Savings
Standard lensed recessed fixture	48"	48"	28W	60%	2900	1740	-
VERSYS	48"	36"	21W	79.8%	2175	1736	25%

VERSYS Specifications and Ordering Guide

SPECIFICATIONS

DESCRIPTION

VERSYS with its unique free floating composite louver breaks new ground in recessed ambient T5 fluorescent fixture design. This fixture combines innovation, aesthetics and performance. VERSUS is a single lamp design available in various housing lengths and is compatible with 6" on center ceiling grid systems like Armstrong TechZone™ and gyp board ceilings

CONSTRUCTION

Extruded aluminum housing, reflector and utility module covers

SHIELDING

Composite floating louver consists of a semi-specular aluminum louver with .5" high cross blades on 1" centers with high transmission overlay and frosted acrylic side rails

ELECTRICAL

120, 277, 347 or Universal Voltage electronic ballast. Fixtures and electrical components certified to UL and CUL standards

FINISH

Durable, 92% reflective, low gloss, white, powder-coated finish

HOUSING LENGTH

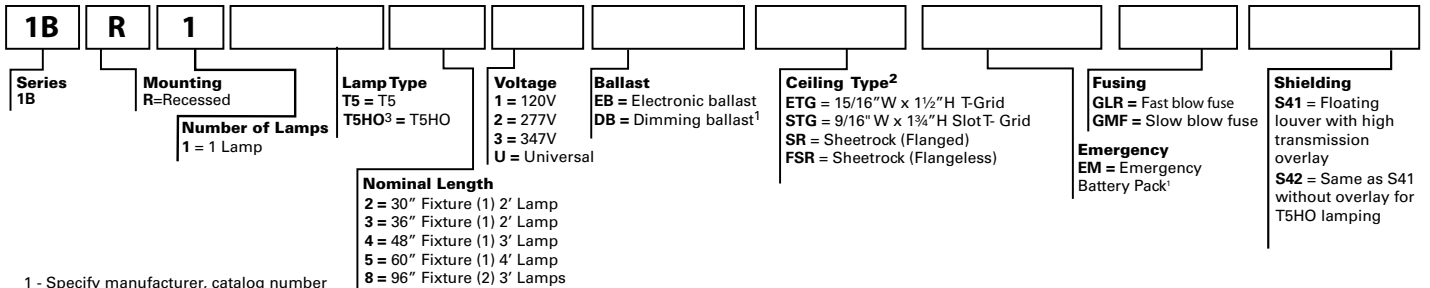
30" nominal length
3' nominal length
4' nominal length
5' nominal length
8' nominal length

MOUNTING

(ETG) 15/16" Exposed T-grid
(STG) 9/16" Screw Slot Grid
(SR) Sheetrock (Flanged)
(FSR) Flangeless Sheet Rock® with mud frame

ORDERING INFORMATION FOR INDIVIDUAL FIXTURES

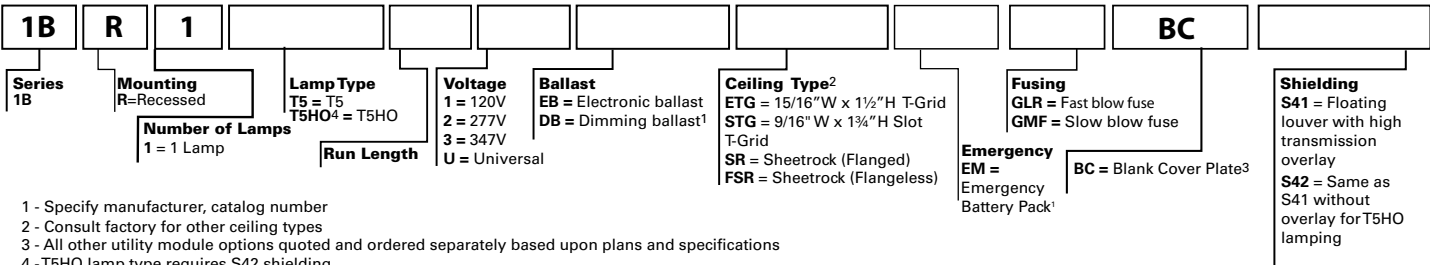
SAMPLE NUMBER: 1BR/1T5/2/UEB-STG-EM-GLR-S41



- 1 - Specify manufacturer, catalog number
- 2 - Consult factory for other ceiling types
- 3 - T5HO lamp type requires S42 shielding

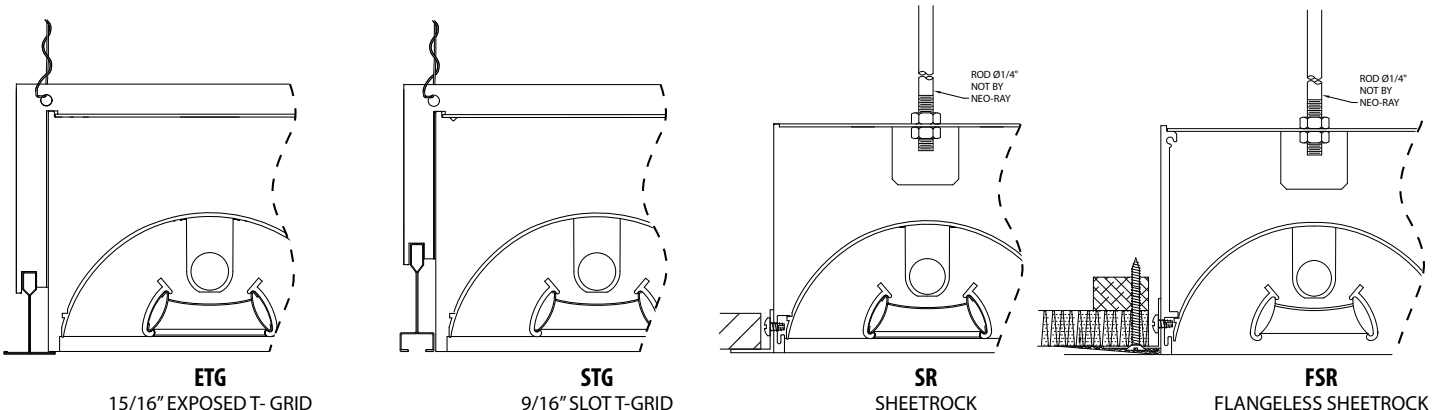
ORDERING INFORMATION FOR CONTINUOUS RUN FIXTURES WITH UTILITY MODULES

SAMPLE NUMBER: 1BR/1T5/4/UEB-STG-EM-GLR-BC-S41



- 1 - Specify manufacturer, catalog number
- 2 - Consult factory for other ceiling types
- 3 - All other utility module options quoted and ordered separately based upon plans and specifications
- 4 - T5HO lamp type requires S42 shielding

CEILING MOUNTING DETAILS



Cooper Lighting

Customer First Center
1121 Highway 74 South
Peachtree City, GA 30269

P: 770-486-4800
F: 770-486-4801

www.cooperlighting.com

Neo-Ray

100 Andrews Road
Hicksville, NY 11801

P: 516-470-1000
F: 516-470-1077

International Sales, USA

Cooper Lighting
1121 Highway 74 South
Peachtree City, GA 30269

P: 770-486-4800
F: 770-486-4801

Canada

Cooper Lighting
5925 McLaughlin Road
Mississauga, Ontario L5R 1B8

P: 905-507-4000
F: 905-568-7049

The Cooper Lighting Family

Halo
Metalux
Lumark
Sure-Lites
Neo-Ray
AtLite
Corelite
Portfolio
Iris
Shaper
io
Lumière
Invue
McGraw-Edison
Streetworks
Fail-Safe
PDS
MWS
RSA
Ametrix

Domestic Facilities

Cranbury, New Jersey
Hicksville, New York
Elk Grove Village, Illinois
Irving, Texas
Ontario, California
Peachtree City, Georgia

Canadian Facilities

Calgary, Alberta T2E 7V9
Mississauga, Ontario L5R 1B8

Cooper Lighting and Neo-Ray logos are valuable trademarks of Cooper Industries in the United States and other countries. You are not permitted to use the Cooper Trademarks without the prior written consent of Cooper Industries.

Cooper Industries, Ltd.
600 Travis, Ste. 5800
Houston, TX 77002-1001
P: 713-209-8400
www.cooperindustries.com