

Project		Catalog #		Type	
Prepared by		Notes		Date	



# Metalux

## SRL LED

Lensed, Sensor-enabled  
LED Strilight

**Typical Applications**  
Industrial • Commercial

### Interactive Menu

- Order Information page 2
- Photometric Data page 3
- Control Solutions page 5
- Product Warranty

### Product Certification



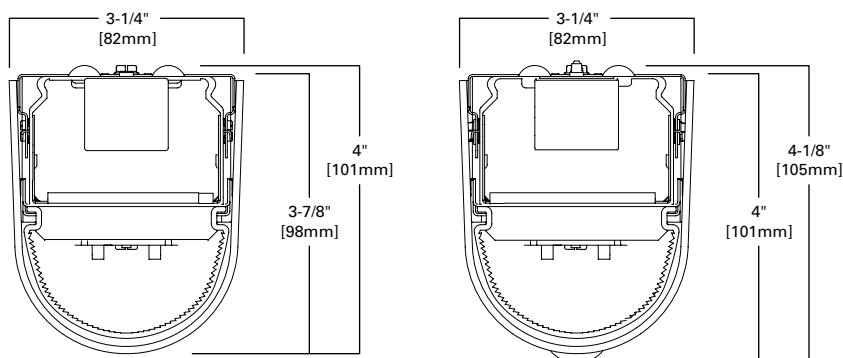
### Product Features



### Top Product Features

- Multiple integrated and factory tested sensor based control options
- Simplicity and speed – the lighting layout is the controls layout
- Up to 149 LPW for maximum energy savings
- Lens options enable lumen and distribution control
- Narrow 4' and 8' lengths are suspended or surface/wall mountable

### Dimensional and Mounting Details



WITH SWPD1, LWP SENSORS  
OR WITHOUT SENSOR

WITH SVPD2/3 SENSOR

additional product diagrams

## Order Information

SAMPLE ORDER NUMBER: **4SRL-LD5-41SL-LW-UNV-L835-CD1-SPVD2-U**

Length	Series	LED Type	LED Lumen Packages			Lens	Row Type
4=4 ft. Length 8=8 ft. Length	SRL=Sensor enabled LED strip	LD5=LED 5.0	<b>LW</b> 27SL <sup>(2)</sup> 30SL <sup>(2)</sup> 34SL <sup>(2)</sup> 37SL <sup>(2)</sup> 41SL <sup>(2)</sup> 44SL <sup>(2)</sup> 47SL <sup>(2)</sup> 50SL <sup>(2)</sup> 54SL <sup>(2)</sup> 61SL <sup>(7)</sup> 67SL <sup>(7)</sup> 74SL <sup>(7),(9)</sup> 82SL <sup>(7),(9)</sup> 88SL <sup>(7),(9)</sup> 95SL <sup>(7),(9)</sup>	<b>LN</b> 29SL <sup>(2)</sup> 33SL <sup>(2)</sup> 38SL <sup>(2)</sup> 41SL <sup>(2)</sup> 46SL <sup>(2)</sup> 49SL <sup>(2)</sup> 52SL <sup>(2)</sup> 55SL <sup>(2)</sup> 60SL <sup>(2)</sup> 67SL <sup>(7)</sup> 74SL <sup>(7)</sup> 82SL <sup>(7),(9)</sup> 92SL <sup>(7),(9)</sup> 96SL <sup>(7),(9)</sup> 104SL <sup>(7),(9)</sup>	<b>LC</b> 30SL <sup>(2)</sup> 34SL <sup>(2)</sup> 38SL <sup>(2)</sup> 42SL <sup>(2)</sup> 47SL <sup>(2)</sup> 50SL <sup>(2)</sup> 53SL <sup>(2)</sup> 56SL <sup>(2)</sup> 61SL <sup>(2)</sup> 68SL <sup>(7)</sup> 75SL <sup>(7)</sup> 83SL <sup>(7),(9)</sup> 94SL <sup>(7),(9)</sup> 98SL <sup>(7),(9)</sup> 106SL <sup>(7),(9)</sup>	<b>LW</b> =Full Frost Lens - Wide <b>LC</b> =Clear Lens <b>LN</b> =Semi-Frost Lens - Narrow	<b>[Blank]</b> =Stand alone with two endcaps <b>CR</b> =Continuous row with one mid cap and LN coupling bracket <sup>(8)</sup>
<b>Notes</b> (16) DesignLights Consortium® Qualified and classified for both DLC Standard and DLC Premium, refer to www.designlights.org for details.			<b>Notes</b> (1) Nominal lumen output. See table for actual lumens. (2) Available in 4 foot only. (7) Available in 8 foot only. (9) At 347V, two drivers required for lumen packages identified.				<b>Notes</b> (8) For continuous row application, select one standard fixture and the rest as continuous row (-CR). See instruction booklet for additional information.

Voltage	Emergency	CCT	Drive Type	Number of Drivers
347V=347 Volt <sup>(9)</sup> 480V=480 Volt <sup>(12)</sup> UNV=Universal Voltage 120-277 <sup>(6)</sup>	<b>EL7W</b> =7-watt, 120V-277V emergency battery pack installed <sup>(10)</sup> <b>EL14W</b> =14-watt 120V-277V emergency battery pack installed <sup>(10)</sup> <b>GTR2</b> =Bodine Generator Transfer Relay <sup>(6)</sup> <b>ETRD</b> =Iota Emergency Transfer Relay with dimming control <sup>(6)</sup>	<b>L830</b> =3000K <b>L835</b> =3500K <b>L840</b> =4000K <b>L850</b> =5000K	<b>CD</b> =0-10V Dimming (10%-100% Dimming) <b>HCD</b> =0-10V Dimming Driver (1% - 100% Dimming) <b>SR</b> =Sensor Ready 0-10V Dimming Driver <sup>(11)</sup> <b>SLTD</b> =Fifth Light (DALI) Driver <sup>(3),(13)</sup>	<b>1</b> =1 Driver <b>2</b> =2 Drivers
<b>Notes</b> (6) Used to bypass local control during outage. Must be used in conjunction with UL 1008 device (provided by others). GTR2 option includes 2 relays on fixtures with dimming drivers. ETRD option only requires one relay when used on a dimming fixture. Must specify voltage as 120V or 277V when ordering these devices. (9) At 347V, two drivers required for lumen packages identified. (12) 4 ft, 480V option cannot be selected in combination with battery.	<b>Notes</b> (6) Used to bypass local control during outage. Must be used in conjunction with UL 1008 device (provided by others). GTR2 option includes 2 relays on fixtures with dimming drivers. ETRD option only requires one relay when used on a dimming fixture. Must specify voltage as 120V or 277V when ordering these devices. (10) With integral test switch/indicator/laser test. For approximate delivered lumens multiply the lumens per watt of the desired fixture by the wattage of the emergency battery pack (100m/W x 7 =700 lumens)		<b>Notes</b> (3) Compatible with Fifth Light or other DALI systems only. Integrated sensor options not available. For a complete listing of Fifth Light products, visit www.cooperlighting.com (11) Must specify SR driver for this option. See LumaWatt Pro spec sheet for additional details. (13) Requires two drivers for 7400 - 10,600 lumens.	

Options	Sensors	Packaging	Strip Accessories	SRL Specific Spare Parts/Accessories
<b>PI/CPI</b> =Plug in and cross over plug in options <sup>(14)</sup> <b>PC6/515P</b> =(NEMA 5-15P) 6' Cord with NEMA Straight Plug <sup>(5),(14)</sup> <b>PC6/L715</b> =(NEMA L7-15P) 6' Cord with NEMA Twist Plug <sup>(5),(14)</sup>	<b>[Blank]</b> =End or midcap included with no sensor <b>SVPD2</b> =Integrated occupancy and daylight dimming sensor, 900 sq. ft. coverage <sup>(15)</sup> <b>SVPD3</b> =Integrated occupancy and daylight dimming sensor, 1200 sq. ft. coverage <sup>(15)</sup> <b>LWIPD1</b> =Integrated LumaWatt Pro Wireless Sensor System <sup>(11)</sup> <b>SWPD1</b> =Integrated WaveLinX Connected Lighting System <sup>(15)</sup>	<b>U</b> =Unit Pack	<b>GRP-SNF-U</b> =T-bar grid hanger <b>AFC-Chain/Set</b> =36" Chain Hanger (Use 1 set per fixture) <b>SCF</b> =Fixed Stem Set (Specify Length) <b>SCS</b> =Swivel Stem Set (Specify Length) <b>EYE CHAIN SET/3FT</b> =Eye Bolt Chain (Use 1 set =per fixture) <b>A1B/Spacer-U</b> =Spacer 1-1/2" to 2-1/2" from ceiling (Use 2 Per Fixture) <b>TOGGLE</b> =Single Toggle No. 2 (Specify Length) <b>Y-TOGGLE</b> =Y Toggle No. 2 (Specify Length) <b>ATG SNF-4-U</b> =Tong hanger	<b>CLC-SRL-EXT-B</b> =Continuous row external bracket <b>SRL-BEC</b> =Blank End Cap, No hole for Sensor <b>SRL-WCLEC</b> =WaveLinX end cap <b>SRL-LWPEC</b> =LumaWatt Pro End Cap <b>SRL-SPVD23LEC</b> =Integrated SPVD2 or SPVD3 Sensor endcap <b>SRL-BMC</b> =Blank Mid Cap <b>SRL-WCLMC</b> =WaveLinX Mid Cap <b>SRL-LWPMC</b> =LumaWatt Pro Mid Cap <b>SRL-SPVD23LMC</b> =Integrated SPVD2 or SPVD3 Mid Cap <b>SRL-LENS-LW</b> =Replacement Wide Lens <b>SRL-LENS-LN</b> =Replacement Narrow Lens <b>SRL-LENS-LC</b> =Replacement Clear Lens <b>ISHH-01</b> =Programming Remote for SPVD Integrated Sensor <b>ISHH-02</b> =Personal Remote for SPVD Integrated Sensor
<b>Notes</b> (5) Most common C&P shown. Must specify location for cord. All "end" locations will be on the end with sensor installed. (14) Consult tech support on numerous options for this feature.	<b>Notes</b> (11) Must specify SR driver for this option. See LumaWatt Pro spec sheet for additional details. (15) Compatible with "CD" and "HCD" drivers.			

## Product Specifications

### Construction

- Channel is die formed cold rolled steel with numerous KOs for ease of installation and is available in standard and continuous row options
- Channel/wireway cover securely holds to the housing with sheet metal screws. Exterior end plate is used as a continuous row aligner
- Decorative white injection molded end and mid-caps are provided to house the integrated controls. Wireway channel includes a groove for use the standard hanging accessories from the SN strips family.

### Controls

- The SRL is Powered by Fifth Light, with a standard 10% "CD" or optional 1% "HCD" 0-10V continuous dimming driver that works with many types of controls, like dimmers, occupancy sensors, daylighting controls or lighting relay panels to maximize energy savings.
- For individual control and out-of-the-box energy savings, the SRL is equipped with factory-installed and preprogrammed integrated sensor system "SVPD2 or SPVD3" for occupancy, daylight dimming and manual control from within the footprint of the fixture. Expand into fully-addressable systems by specifying the Digital Addressable Lighting Interface (DALI) 10% "5LTD". Or, go wireless with the Wavelinx "SWPD1" (lowbay) option for code-compliance and easy installation, or the LumaWatt Pro powered by Enlighted options "LWIPD1" (lowbay) for a fully integrated sensor system with Internet of Things (IoT) connectivity and configurable software.
- See ordering information and specification supplements for details on all these control options.

### Electrical

- Long-Life LED system coupled with sensor enabled electronic drivers deliver optimal lighting performance
- LED's available in 3000K, 3500K, 4000K, or 5000K with a CRI  $\geq$  80
- Projected life at 70% lumen maintenance is up to 170,000 hours with TM21 ratings of L82 > 60,000 hours
- UNV, 347V and 480V drivers are available

### Emergency Battery Pack Option

- Optional 120V-277V integral emergency battery pack is available in 7-watts or 14-watts to meet critical life-safety lighting requirements
- The 90-minute batteries provide constant power to the LED system, ensuring codecompliance
- A test switch/indicator button can be tested safely from the ground using a laser pointer, while the patented EZKey prevents accidental discharge of the battery during construction
- Emergency/generator transfer options available – see ordering information for details

### Finish

- Highly reflective post painted finish (PAF) provides optimal performance and handling
- Housing is treated with a multistage iron phosphate pretreatment, ensuring maximum bonding and rust inhibition
- Opaque end and mid-caps are molded in color to match the paint and have a smooth pleasing appearance

### Channel/Wireway Cover

- Die formed heavy gauge steel with end plates that can be removed for continuous rows or to enable wiring through KO
- Formed tabs retain the lenses without the need for separate lens clips.
- Sensor coverage patterns and application versatility is enabled by factory wiring using quick connects allowing up to three drivers to be connected to each sensor
- See notes for additional details.

### Shielding

- Lenses are specially designed for LED with lens blends and linear optics to enable three different distributions: - LC (clear for optimal efficacy), LN (semi-frost with narrow distribution) and LW (full frost with wide distribution).
- These lenses provide different lighting distributions allowing customers to meet their unique needs with smooth even illumination
- Lens is securely held in place by removable injection-molded white end caps and onto the

channel with built in lens retainers

- End and mid-caps are easily removed without tools for installation and maintenance

### Compliance

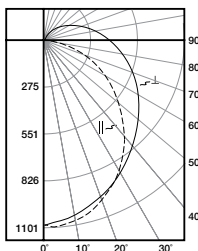
- Luminaires are cULus listed for -20° C to 40° C ambient environments, damp location listed, and comply with IESNA LM-79 and LM-80 standards
- LM80 and Life values are typical values measured in laboratory at 25° C
- DesignLights Consortium® Qualified and classified for both DLC Standard and DLC Premium, refer to www.designlights.org for details
- Suitable for use in clothes closets when installed in accordance with the NEC 410.16 spacing requirements

### Warranty

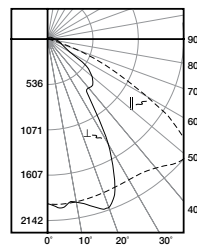
- Five year warranty

## Photometric Data

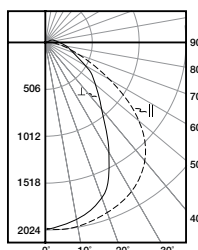
[View IES files](#)



**4SRL-LD5-41SL-LW-UNV-L835-CD1-U**  
 Electronic Driver  
 Linear LED 3500K  
 Spacing criterion: (II) 1.2 x mounting height,  
 (⊥) 1.23 x mounting height  
 Lumens: 4188  
 Input Watts: 33.7W  
 Efficacy: 124 lm/W  
 Test Report: 4SRL-LD5-41SL-LW-UNV-L835-CD1-U.IES



**4SRL-LD5-47SL-LC-UNV-L835-CD1-U**  
 Electronic Driver  
 Linear LED 3500K  
 Spacing criterion: (II) 1.54 x mounting height,  
 (⊥) 1.13 x mounting height  
 Lumens: 4688  
 Input Watts: 33.7W  
 Efficacy: 139.1 lm/W  
 Test Report: 4SRL-LD5-47SL-LC-UNV-L835-CD1-U.IES



**4SRL-LD5-46SL-LN-UNV-L835-CD1-U**  
 Electronic Driver  
 Linear LED 3500K  
 Spacing criterion: (II) 1.35 x mounting height,  
 (⊥) 1.04 x mounting height  
 Lumens: 4596  
 Input Watts: 33.7W  
 Efficacy: 136.4 lm/W  
 Test Report: 4SRL-LD5-46SL-LN-UNV-L835-CD1-U.IES

## Wattage

**Notes:** These values are for 3500K at an input voltage at 120V.  
\*Sensor options not shown and do not affect lumen output.

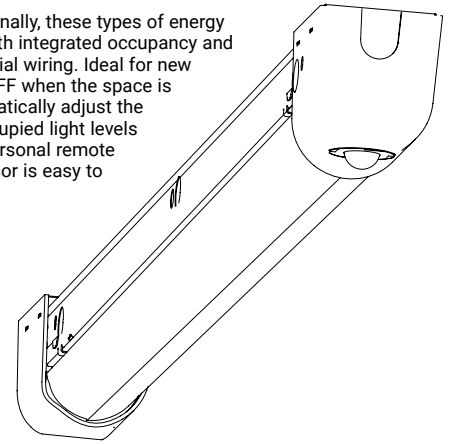
Lens Type	Length	Catalog Logic*	Lumens	Watts	Efficacy (lm/W)
Full Frost (LW)	4 ft.	4SRL-LD5-27SL-LW-UNV-L835-CD1-U	2686	20.2	133
Full Frost (LW)	4 ft.	4SRL-LD5-30SL-LW-UNV-L835-CD1-U	3037	23.2	131
Full Frost (LW)	4 ft.	4SRL-LD5-34SL-LW-UNV-L835-CD1-U	3459	26.9	129
Full Frost (LW)	4 ft.	4SRL-LD5-37SL-LW-UNV-L835-CD1-U	3765	29.6	127
Full Frost (LW)	4 ft.	4SRL-LD5-41SL-LW-UNV-L835-CD1-U	4188	33.7	124
Full Frost (LW)	4 ft.	4SRL-LD5-44SL-LW-UNV-L835-CD1-U	4487	36.7	122
Full Frost (LW)	4 ft.	4SRL-LD5-47SL-LW-UNV-L835-CD1-U	4778	39.9	120
Full Frost (LW)	4 ft.	4SRL-LD5-50SL-LW-UNV-L835-CD1-U	5065	43.1	118
Full Frost (LW)	4 ft.	4SRL-LD5-54SL-LW-UNV-L835-CD1-U	5478	47.0	116
Full Frost (LW)	8 ft.	8SRL-LD5-54SL-LW-UNV-L835-CD1-U	5372	40.3	133
Full Frost (LW)	8 ft.	8SRL-LD5-61SL-LW-UNV-L835-CD1-U	6125	46.2	133
Full Frost (LW)	8 ft.	8SRL-LD5-67SL-LW-UNV-L835-CD1-U	6744	53.7	126
Full Frost (LW)	8 ft.	8SRL-LD5-74SL-LW-UNV-L835-CD1-U	7466	57.3	130
Full Frost (LW)	8 ft.	8SRL-LD5-82SL-LW-UNV-L835-CD1-U	8376	67.4	124
Full Frost (LW)	8 ft.	8SRL-LD5-88SL-LW-UNV-L835-CD1-U	8808	73.4	120
Full Frost (LW)	8 ft.	8SRL-LD5-95SL-LW-UNV-L835-CD1-U	9530	79.7	120
Semi Frost (LN)	4 ft.	4SRL-LD5-29SL-LN-UNV-L835-CD1-U	2947	20.2	146
Semi Frost (LN)	4 ft.	4SRL-LD5-33SL-LN-UNV-L835-CD1-U	3332	23.2	144
Semi Frost (LN)	4 ft.	4SRL-LD5-38SL-LN-UNV-L835-CD1-U	3795	26.9	141
Semi Frost (LN)	4 ft.	4SRL-LD5-41SL-LN-UNV-L835-CD1-U	4131	29.6	140
Semi Frost (LN)	4 ft.	4SRL-LD5-46SL-LN-UNV-L835-CD1-U	4595	33.7	136
Semi Frost (LN)	4 ft.	4SRL-LD5-49SL-LN-UNV-L835-CD1-U	4923	36.7	134
Semi Frost (LN)	4 ft.	4SRL-LD5-52SL-LN-UNV-L835-CD1-U	5242	39.9	132
Semi Frost (LN)	4 ft.	4SRL-LD5-55SL-LN-UNV-L835-CD1-U	5557	43.1	129
Semi Frost (LN)	4 ft.	4SRL-LD5-60SL-LN-UNV-L835-CD1-U	6010	47.0	128
Semi Frost (LN)	8 ft.	8SRL-LD5-60SL-LN-UNV-L835-CD1-U	5894	40.3	146
Semi Frost (LN)	8 ft.	8SRL-LD5-67SL-LN-UNV-L835-CD1-U	6720	46.2	145
Semi Frost (LN)	8 ft.	8SRL-LD5-74SL-LN-UNV-L835-CD1-U	7399	53.7	138
Semi Frost (LN)	8 ft.	8SRL-LD5-82SL-LN-UNV-L835-CD1-U	8192	57.3	143
Semi Frost (LN)	8 ft.	8SRL-LD5-92SL-LN-UNV-L835-CD1-U	9190	67.4	136
Semi Frost (LN)	8 ft.	8SRL-LD5-96SL-LN-UNV-L835-CD1-U	9664	73.4	132
Semi Frost (LN)	8 ft.	8SRL-LD5-104SL-LN-UNV-L835-CD1-U	10456	79.7	131
Clear (LC)	4 ft.	4SRL-LD5-30SL-LC-UNV-L835-CD1-U	3007	20.2	149
Clear (LC)	4 ft.	4SRL-LD5-34SL-LC-UNV-L835-CD1-U	3400	23.2	147
Clear (LC)	4 ft.	4SRL-LD5-38SL-LC-UNV-L835-CD1-U	3872	26.9	144
Clear (LC)	4 ft.	4SRL-LD5-42SL-LC-UNV-L835-CD1-U	4214	29.6	142
Clear (LC)	4 ft.	4SRL-LD5-47SL-LC-UNV-L835-CD1-U	4688	33.7	139
Clear (LC)	4 ft.	4SRL-LD5-50SL-LC-UNV-L835-CD1-U	5023	36.7	137
Clear (LC)	4 ft.	4SRL-LD5-53SL-LC-UNV-L835-CD1-U	5348	39.9	134
Clear (LC)	4 ft.	4SRL-LD5-56SL-LC-UNV-L835-CD1-U	5670	43.1	132
Clear (LC)	4 ft.	4SRL-LD5-61SL-LC-UNV-L835-CD1-U	6132	47.0	130
Clear (LC)	8 ft.	8SRL-LD5-61SL-LC-UNV-L835-CD1-U	6013	40.3	149
Clear (LC)	8 ft.	8SRL-LD5-68SL-LC-UNV-L835-CD1-U	6856	46.2	148
Clear (LC)	8 ft.	8SRL-LD5-75SL-LC-UNV-L835-CD1-U	7549	53.7	141
Clear (LC)	8 ft.	8SRL-LD5-83SL-LC-UNV-L835-CD1-U	8358	57.3	146
Clear (LC)	8 ft.	8SRL-LD5-94SL-LC-UNV-L835-CD1-U	9376	67.4	139
Clear (LC)	8 ft.	8SRL-LD5-98SL-LC-UNV-L835-CD1-U	9860	73.4	134
Clear (LC)	8 ft.	8SRL-LD5-106SL-LC-UNV-L835-CD1-U	10668	79.7	134

### Shipping Data

Length	Wt.
4 ft., 8 in.	8.2 lbs.
8 ft., 8 in.	15.1 lbs.

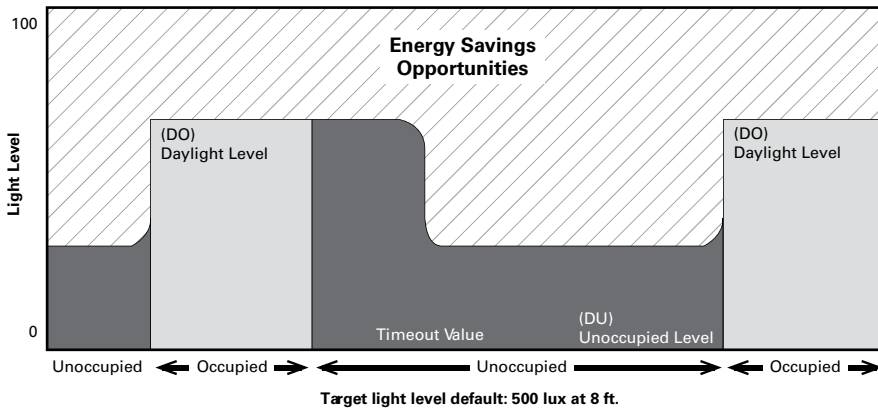
**Integrated Sensor**

The SRL with Integrated Sensor technology provides automatic energy savings without sacrificing performance. Traditionally, these types of energy savings required coordination between the luminaire and a lighting control system. The SRL delivers superior lighting with integrated occupancy and daylighting controls. Capture the benefits of traditional lighting controls, without complicated coverage planning or special wiring. Ideal for new construction or retrofit, the SRL delivers automatic ON to an energy saving light level, while ensuring lighting is turned OFF when the space is unoccupied. The integral daylight sensor reduces the need for special daylight zone planning. Each luminaire will automatically adjust the light level based on reflected light beneath the sensor in a closed loop method. Occupied daylight light levels and unoccupied light levels can be adjusted using the integrated sensor programming remote (Catalog Number: ISHH-01). The integrated sensor personal remote (Catalog Number: ISHH-02) provides code compliant manual raise, lower, ON, OFF control. The SRL with Integrated Sensor is easy to install with no special wiring and ensures energy savings out-of-the-box with default control settings.



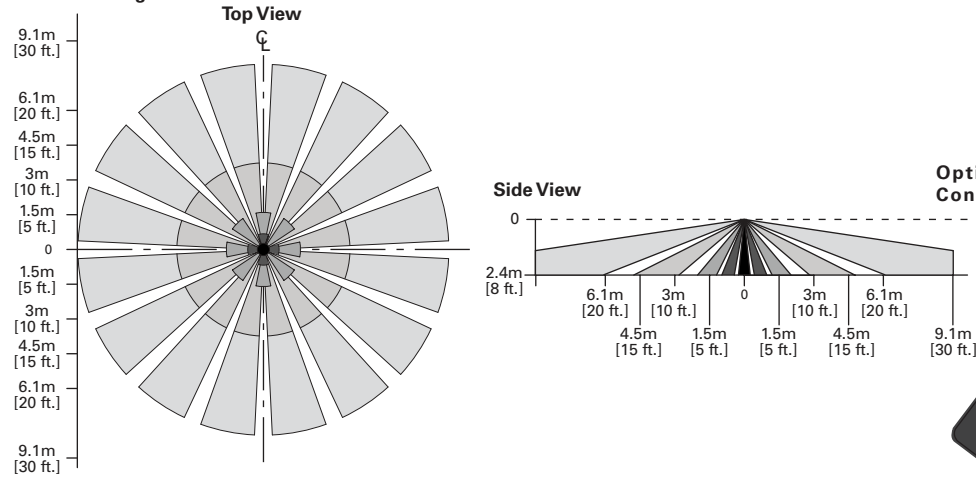
**How it works:**

- As the user enters the space controlled by the integral sensor, the lighting turns ON to the default daylight level.
- Lighting will remain at that the daylight level until the space is unoccupied. This will start the occupancy timeout period (default 20 minutes).
- If the space remains unoccupied for half of the timeout period, the lighting will automatically reduce to the Energy Saver light level. This adjustable light level is typically half of the occupied daylight level.
- At the end of the timeout period the lighting will go to the unoccupied light level. This adjustable light level reduces to 50% by default.

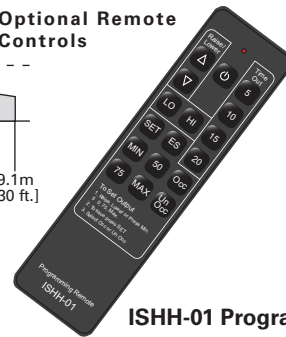


**Sensor Detail - SRL**

**SVPD2 Coverage Pattern**

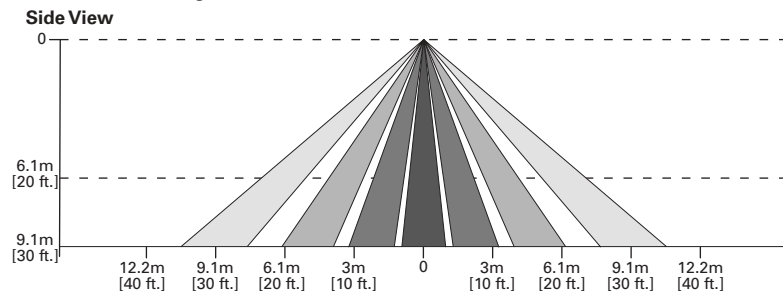


**Optional Remote Controls**



**ISHH-01 Programming Remote**

**SVPD3, SVP3 Coverage Pattern**



**ISHH-02 Personal Control Remote**

## Dimensional and Mounting Details Continued

