

# COOPER LIGHTING - METALUX®

## DESCRIPTION

The VT4 Series is an energy efficient industrial Vaportite fixture that features rugged and durable construction. The VT4 incorporates a full metal tray inside a reinforced fiberglass housing with a high impact diffuser. This Vaportite series is suitable for interior and exterior applications and can be chain or cable mounted.

The VT4 Series has been designed for maximum operation in commercial institutional and industrial environments where weathering, high temperature, humidity and dust or corrosive fumes are present.

<b>Catalog #</b>		<b>Type</b>
<b>Project</b>		
<b>Comments</b>		<b>Date</b>
<b>Prepared by</b>		

## SPECIFICATION FEATURES

### Construction

Fiberglass reinforced polyester housing is UL94 and UL746 5VA flammability rated. Rounded housing allows for easy cleaning during high pressure hose down. Watertite hubs for 1/2" conduit entry is provided at each end of housing (standard) for continuous feed. Continuous closed cell gasketing is formed inside the housing ledge, providing a continuous seamless seal for the diffuser. Stainless steel cam latches hold diffuser tightly for a positive seal between housing, gasketing and diffuser.

### Electrical\*

Unit has full hinged metal gear tray secured by internal latches for toolless ballast access. Rotor lock lampholders. CBM/ETL Class "P" certified to 70°C. (Cold temperature ballasts are available for less than 0°F starting with EB/PLUS, ER/PLUS ballasts. Electrical components and fixtures are UL/cUL listed for Wet Locations. NEMA 4X, IP65 and IP67 rated, up to 1500 PSI hosedown. NSF certified.

### Optics

Available internal specular aluminum reflector.

### Shielding

High impact, clear acrylic (standard), or optional 100% polycarbonate lens diffuser.

### Mounting

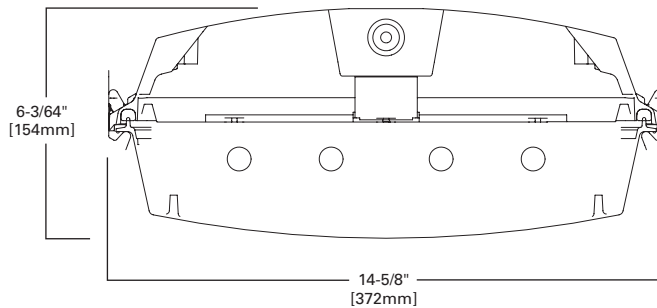
Suspended using two stainless steel mounting bails (included). Optional Y-hook, Y-cable mount is also available. Mounting hardware must be ordered separately.



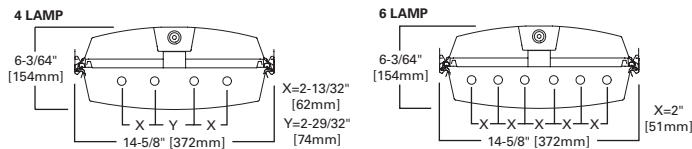
**VT4**  
**432**  
**632**

**4' INDUSTRIAL**  
**4 OR 6 T8 LAMPS**

Vaportite Industrial



## LAMP CONFIGURATIONS



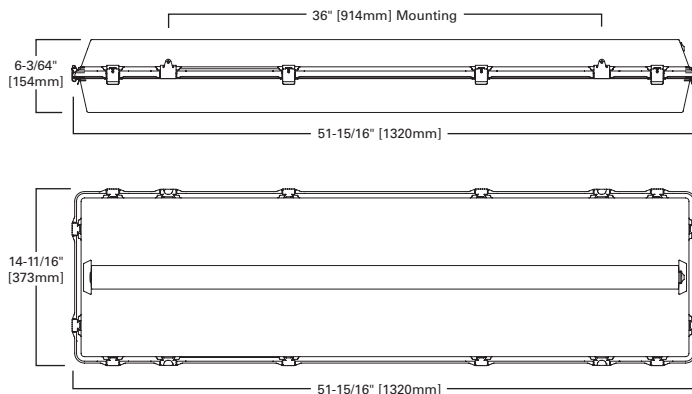
## INSTALLATION DATA

### SS Latches and Mounting Bail

**MOUNTING BAILS**  
Furnished (Standard)  
Stainless steel, Two per 4' Unit



## MOUNTING DATA



## ENERGY DATA

Input Watts:  
**EB Ballast & STD Lamps**  
432=109  
632=167

Luminaire Efficacy Rating  
**LER = FI-73**  
**Catalog Number: VT4-632M**  
**Yearly Cost of 1000 lumens,**  
**3000 hrs at .08 KWH = \$3.29**

\*Reference the lamp/ballast data in the Technical Section for specific lamp/ballast requirements.

**LAMPS CONTAIN MERCURY. DISPOSE ACCORDING TO LOCAL, STATE OR FEDERAL LAWS**

**LINEAR DISCONNECT**

Safe and convenient means of disconnecting power.

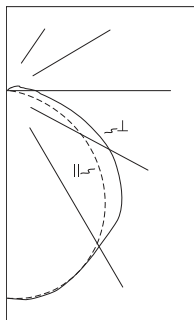
ADF081221

2014-06-12 14:08:34

**Cooper Lighting**  
by **E.T.N.**



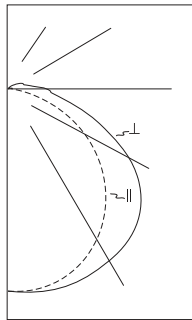
PHOTOMETRICS



**VT4-632-M-DR-UNV-EB82-WL-U**  
 (2) Electronic Ballasts  
 (6) 32W T8 lamps  
 3100 lumens  
 Spacing criterion:  
 (H) 1.3 x mounting height,  
 (L) 1.3 x mounting height  
 Efficiency 68.8%  
 Test Report:  
 VT4632M.IES  
 LER =75  
 Yearly Cost of 1000 lumens,  
 3000 hrs at .08 KWH = \$3.20

**Candela**

Angle	Along H	45°	Across L
0	3870	3870	3870
5	3882	3905	3910
10	3852	3888	3880
15	3786	3816	3809
20	3672	3699	3673
25	3517	3528	3527
30	3327	3342	3389
35	3098	3125	3273
40	2840	2899	3180
45	2551	2705	3014
50	2240	2520	2771
55	1912	2281	2497
60	1563	1973	2209
65	1208	1646	1827
70	854	1298	1460
75	529	928	1111
80	270	635	816
85	117	444	620
90	62	378	549



**VT4-632-W-DR-UNV-EB82-WL-U**  
 (2) Electronic Ballasts  
 (6) 32W T8 lamps  
 3100 lumens  
 Spacing criterion:  
 (H) 1.3 x mounting height,  
 (L) 1.5 x mounting height  
 Efficiency 67.9%  
 Test Report:  
 VT4632W.IES  
 LER =74  
 Yearly Cost of 1000 lumens,  
 3000 hrs at .08 KWH = \$3.24

**Candela**

Angle	Along H	45°	Across L
0	3335	3335	3335
5	3344	3361	3366
10	3324	3367	3388
15	3270	3345	3393
20	3179	3296	3379
25	3056	3226	3339
30	2899	3128	3293
35	2716	3003	3242
40	2504	2867	3162
45	2267	2716	3041
50	2011	2541	2866
55	1734	2330	2630
60	1440	2066	2323
65	1130	1746	1931
70	814	1371	1564
75	516	991	1217
80	276	710	917
85	127	521	720
90	72	445	650

Coefficients of Utilization

rc	Effective floor cavity reflectance																
	80%			70%			50%			30%			10%			0%	
rw	70	50	30	70	50	30	70	50	30	70	50	30	70	50	30	0	
RCR																	
0	81	81	81	79	79	79	74	74	74	71	71	71	67	67	67	65	
1	73	70	67	64	71	68	65	62	64	62	60	61	59	57	58	55	53
2	66	60	56	51	64	59	54	50	56	52	49	53	50	47	50	48	44
3	60	53	47	42	58	51	46	42	49	44	41	47	43	39	44	41	38
4	55	47	40	36	53	45	40	35	43	38	34	41	37	34	39	36	33
5	51	42	35	31	49	41	35	30	39	34	30	37	32	29	35	31	28
6	47	37	31	27	45	36	31	26	35	30	26	33	29	25	32	28	25
7	43	34	28	23	42	33	27	23	32	26	23	30	26	22	29	25	22
8	40	31	25	21	39	30	25	21	29	24	20	28	23	20	27	23	20
9	38	28	22	19	36	28	22	18	27	22	18	26	21	18	25	21	18
10	35	26	20	17	34	25	20	17	25	20	16	24	19	16	23	19	15

Coefficients of Utilization

rc	Effective floor cavity reflectance																
	80%			70%			50%			30%			10%			0%	
rw	70	50	30	70	50	30	70	50	30	70	50	30	70	50	30	0	
RCR																	
0	80	80	80	78	78	78	73	73	73	69	69	69	66	66	66	64	
1	72	68	65	62	70	66	63	61	63	60	58	59	57	56	56	53	51
2	65	59	54	50	63	57	53	49	54	50	47	51	48	45	49	46	44
3	59	51	45	41	57	50	44	40	47	43	39	45	41	38	43	39	36
4	54	45	39	34	52	44	38	34	42	37	33	40	35	32	38	34	31
5	49	40	34	29	47	39	33	29	37	32	28	35	31	27	34	30	27
6	45	36	30	25	44	35	29	25	33	28	24	32	27	24	30	26	23
7	42	32	26	22	40	32	26	22	30	25	21	29	24	21	28	24	20
8	39	29	23	19	38	29	23	19	28	22	19	26	22	18	25	21	18
9	36	27	21	17	35	26	21	17	25	20	17	24	20	17	23	19	16
10	34	25	19	16	33	24	19	15	23	19	15	22	18	15	22	18	15

Zonal Lumen Summary

Zone	Lumens	%Lamp	%Fixture
0-30	3076	16.5	24.1
0-40	5059	27.2	39.6
0-60	9168	49.3	71.7
0-90	12131	65.2	94.8
0-180	12791	68.8	100.0

Luminance Data

Angle in Deg	Average	Average	Average
	0-Deg cd/sm	45-Deg cd/sm	90-Deg cd/sm
45	4428	4570	4958
55	3991	4585	4840
65	3287	4244	4475
75	2162	3483	3855
85	1021	3241	3889

Zonal Lumen Summary

Zone	Lumens	%Lamp	%Fixture
0-30	2750	14.8	21.8
0-40	4628	24.9	36.6
0-60	8725	46.9	69.0
0-90	11898	64.0	94.2
0-180	12636	67.9	100.0

Luminance Data

Angle in Deg	Average	Average	Average
	0-Deg cd/sm	45-Deg cd/sm	90-Deg cd/sm
45	3935	4588	5003
55	3620	4684	5098
65	3075	4502	4730
75	2108	3719	4223
85	1109	3803	4517

ORDERING INFORMATION

SAMPLE NUMBER: VT4-432-M-DR-UNV-EB81-WL-U

<p><b>Series</b>                  VT4=Vaportite                  4/6 Lamp</p>	<p><b>Number of Lamps</b>                  4=4 Lamps (Not Included)                  6=6 Lamps (Not Included)</p>	<p><b>Wattage (Length)</b>                  32=32W T8 (48")</p>	<p><b>Distribution</b>                  M=Medium Beam                  W=Wide Beam (White)</p>	<p><b>Lens</b>                  DR=Clear Acrylic High Impact (Standard)                  PC=Polycarbonate, Clear</p>	<p><b>Voltage</b><sup>(1)</sup>                  120V=120 Volt                  (32W &amp; 54W only)                  277V=277 Volt                  347V=347 Volt                  UNV=Universal Voltage                  120/277<sup>(2)</sup>                  (32W &amp; 54W only)                  UNC=Universal Voltage                  347/480<sup>(2),(3)</sup></p>	<p><b>Ballast Type</b>                  T8 Ballasts                  EB8 =T8 Electronic Instant Start.                  Total Harmonic Distortion &lt; 10%                  No. of Ballast                  1 or 2                  EB8 /PLUS=T8 Electronic Instant Start.<sup>(5)</sup>                  High Ballast Factor &gt;1.13.                  Total Harmonic Distortion &lt; 10%                  No. of Ballast                  1 or 2                  ER8 =T8 Electronic Program Rapid Start.                  Total Harmonic Distortion &lt; 10%                  No. of Ballast                  1 or 2</p>	<p><b>WL=Wet Label</b></p>	<p><b>Packaging</b>                  U=Unit Pack</p>	<p><b>Options</b>                  Blank=(2) End Watertite Hubs (all Watertite Hubs have 1/2" Conduit Entry)                  C3=3' Power Cord                  C6=6' Power Cord                  PC3=3' Power Cord &amp; Plug (Specify Voltage)<sup>(4)</sup>                  PC6=6' Power Cord &amp; Plug (Specify Voltage)<sup>(4)</sup>                  VRS=Vandal Resistant Screws for Latches                  MS=Damp Listed Motion Sensor<sup>(4)</sup>                  MSQ/WL-W=Listed Motion Sensor 360°<sup>(4)</sup>                  Y-TOGGLE=Y Mounting Toggle, #2 Cable (Specify 10' or 30')                  VT4-SS-SM=(2) Stainless Steel Surface Mounting Bracket</p>
---------------------------------------------------------------------------------------	---------------------------------------------------------------------------------------------------------------------------	---------------------------------------------------------------------	--------------------------------------------------------------------------------------------------------	------------------------------------------------------------------------------------------------------------------------------	------------------------------------------------------------------------------------------------------------------------------------------------------------------------------------------------------------------------------------------------------------------------------------------------------------------------------------------------------------------------------------------------------------------	--------------------------------------------------------------------------------------------------------------------------------------------------------------------------------------------------------------------------------------------------------------------------------------------------------------------------------------------------------------------------------------------------------------------------------------------------------------------------------------------------------------------------------------------------------------------------------------------------------------------------------------------------------------------------------------	----------------------------	----------------------------------------------------------	------------------------------------------------------------------------------------------------------------------------------------------------------------------------------------------------------------------------------------------------------------------------------------------------------------------------------------------------------------------------------------------------------------------------------------------------------------------------------------------------------------------------------------------------------------------------------------------------------------------------------------------------------------------------------------------------------------------------------------

NOTES: <sup>(1)</sup> Products also available in non-US voltages and frequencies for international markets. <sup>(2)</sup> Not available when specifying emergencies, voltage must be specific. Exception: EL4 ok with UNV. <sup>(3)</sup> Rated for operation up to 30°C. <sup>(4)</sup> Voltage must be specified when ordered with plugs, motion or emergency ballasts. <sup>(5)</sup> 2/3 lamp ballast configurations in EB8/PLUS only for T8 UNC version.

Specifications & dimensions subject to change without notice. Consult your Cooper Lighting Representative for availability and ordering information.

SHIPPING DATA

Catalog No.	Wt.
VT4-432DR-WL	19.7 lbs.
VT4-632DR-WL	21 lbs.