

ARP ALUMINUM ROUND TAPERED DECORATIVE

Catalog #		Type
Project		
Comments		Date
Prepared by		

FEATURES

- Tapered aluminum shaft spun from seamless 6063 alloy aluminum
- T6 four-bolt anchorage configuration provided
- Anchor bolt per ASTM F1554 Grade 55 with (2) hex nuts, (2) flat washers
- Cast 356 alloy aluminum base with access door
- 10' - 22' mounting heights
- Tenon mount only

DESIGN CONSIDERATIONS

Wind induced vibrations resulting from steady, unidirectional winds and other aerodynamic forces, as well as vibration and coefficient of height factors for non-grounded mounted installations (e.g., installations on bridges or buildings) are not included in this document. The information contained herein is for general guidance only and is not a replacement for professional judgement. Consult with a professional, and local and federal standards, before ordering to ensure product is appropriate for the intended purpose and installation location. Also, please review Eaton's Light Pole White Paper for risk factors and design considerations. [Learn more.](#)

Specifications and dimensions subject to change without notice. Consult your lighting representative at Eaton or visit www.eaton.com/lighting for available options, accessories and ordering information.

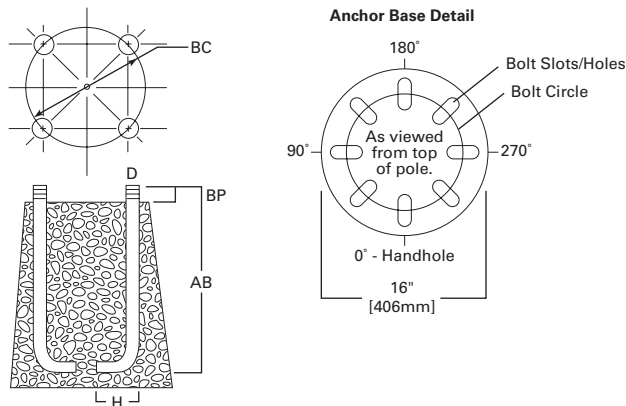
ORDERING INFORMATION

SAMPLE NUMBER: ARP5L310ABZ2

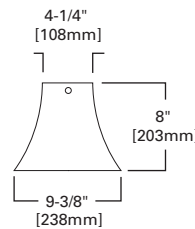
Product Family	Shaft Size (Inches) ¹	Wall Thickness (Inches)	Pole Top Diameter (Inches)	Mounting Height (Feet)	Base Type	Finish	Mounting Type	Number and Location of Arms	Options (Add as Suffix)
ARP=Aluminum Round Tapered Decorative	5=5"	L=0.156" M=0.188"	3=3" O.D. 4=4-1/2" O.D.	10=10' 12=12' 14=14' 16=16' 18=18' ² 22=22' ²	A=Aluminum (Round 4-Bolt Pole)	AP=Grey BA=Anodized Bronze BK=Black BZ=Bronze CA=Anodized Clear DA=Anodized Black DP=Dark Platinum GM=Graphite Metallic GN=Hartford Green WH=White	2=2-3/8" O.D. Tenon (4" Long) 5=3" O.D. Tenon (4" Long)	X=None	C=Convenience Outlet ³ E=GFCI Convenience Outlet ³ G=Ground Lug V=Vibration Dampener ²

NOTES 1. All shaft sizes nominal. 2. Vibration damper recommended over 18 feet add suffix "V" to catalog number. 3. Specify outlet location. Receptacle not included, provision only.

ANCHORAGE DATA



ACCESS DOOR



Effective Projected Area (At Pole Top)

Mounting Height (Feet)	Catalog Number	Wall Thickness (Inches)	Bolt Circle Diameter (Inches)	Anchor Bolt Projection (Inches)	Shaft Taper (Inches)	Anchor Bolt Diameter x Length x Hook (Inches)	Net Weight (Pounds)	Maximum Effective Projected Area (Square Feet) (1.3 gust factor)			Max. Load (Pounds)
								80 mph	90 mph	100 mph	
MH			BC	BP	B	AB¹					
10	ARP5L310A	0.156	9	3.5	5 x 3	3/4 x 17 x 3	57	20.0	17.5	14.1	120
12	ARP5L312A	0.156	9	3.5	5 x 3	3/4 x 17 x 3	62	18.2	14.1	11.2	120
14	ARP5L314A	0.156	9	3.5	5 x 3	3/4 x 17 x 3	67	14.8	11.4	9.0	120
16	ARP5L316A	0.156	9	3.5	5 x 3	3/4 x 17 x 3	72	12.0	9.1	7.0	120
18	ARP5L318A	0.156	9	3.5	5 x 3	3/4 x 17 x 3	77	9.5	7.1	5.4	120
18	ARP5M418A	0.188	9	3.5	5 x 4.5	3/4 x 17 x 3	83	11.3	8.6	6.8	150
22	ARP5M422A	0.188	9	3.5	5 x 4.5	3/4 x 17 x 3	88	7.0	5.1	3.9	150

Effective Projected Area (18" Above Pole Top)

Mounting Height (Feet)	Catalog Number	Wall Thickness (Inches)	Bolt Circle Diameter (Inches)	Anchor Bolt Projection (Inches)	Shaft Taper (Inches)	Anchor Bolt Diameter x Length x Hook (Inches)	Net Weight (Pounds)	Maximum Effective Projected Area (Square Feet) (1.3 gust factor)			Max. Load (Pounds)
								80 mph	90 mph	100 mph	
MH			BC	BP	B	AB¹					
10	ARP5L310A	0.156	9	3.5	5 x 3	3/4 x 17 x 3	57	19.6	15.3	12.3	120
12	ARP5L312A	0.156	9	3.5	5 x 3	3/4 x 17 x 3	62	16.1	12.5	9.9	120
14	ARP5L314A	0.156	9	3.5	5 x 3	3/4 x 17 x 3	67	13.2	10.1	8.0	120
16	ARP5L316A	0.156	9	3.5	5 x 3	3/4 x 17 x 3	72	10.6	8.0	6.2	120
18	ARP5L318A	0.156	9	3.5	5 x 3	3/4 x 17 x 3	77	8.5	6.4	4.8	120
18	ARP5M418A	0.188	9	3.5	5 x 4.5	3/4 x 17 x 3	83	10.1	7.7	6.1	150
22	ARP5M422A	0.188	9	3.5	5 x 4.5	3/4 x 17 x 3	88	6.4	4.6	3.6	150