

**HALO LED H7 Series**

ML7BXRFK is a retrofit enclosure designed to allow a qualified installer to complete a hard-wired retrofit of designated Halo 6" LED retrofit modules into existing open frame style fixtures. The ML7BXRFK is a retrofit enclosure that provides UL Classified retrofit of Halo LED into existing open frame fixtures; as installed in Non-Insulated ceilings.

Halo offers high quality, high efficacy LED – the result being great lighting and significant energy savings.

Catalog #		Type
Project		
Comments		Date
Prepared by		

**SPECIFICATION FEATURES**

**MECHANICAL**

**Housings**

- Single wall aluminum housing.
- One-piece housing features a flange around the aperture that seats against the ceiling surface.

**Oversize Housing Ring**

- The flange must be secured against a minimum 1/4" thick ceiling material. The flange must also seat around a uniform ceiling cut-out for proper mounting. For irregular ceiling cut-out openings the OH470WH oversize housing ring may be required.
- Oversize housing ring OH470WH is designed as an extension of the housing flange when a ceiling cut-out is too large or irregular. The OH470WH slips over the housing and seats against the flange. The OH470WH white finish matches Halo LED white trims.

**MOUNTING**

**Adjustable Slide-Lock**

- Housing adjusts to various open metal frame fixture platforms, accommodating from 1/4" up to 1-1/2" ceiling thickness.
- Channel-guided slide bar features tool-less and secure double locking with both a captive wing-nut and knurl-nut.
- Saw-tooth design on bottom of adjustment feet lock onto metal frame of existing open frame fixture, allowing easy centering of the ML7BXRFK enclosure in the existing frame.

**ELECTRICAL**

**BX Connector**

- With removal of an existing open frame fixture's reflector, the fixture will have a socket cup with flexible conduit whip that is to be disconnected at the junction box.
- The ML7BXRFK enclosure features a flexible conduit whip that terminates in a BX conduit connector for direct hard-wiring into the existing fixture's junction box.

**LED Module Connection**

**Luminaire Power Connector:** Halo LED modules feature a plug-in line voltage wiring connector (UL and CSA Listed Luminaire Disconnect). This non-screw-base connection preserves the high efficacy rating and prevents use of low efficacy sources.

**UL Classification**

- The ML7BXRFK is UL Classified for retrofit into the following open frame, non-IC fixtures:
  - Halo H600T
  - AtLite A32TP
  - Lightolier 1102P1
  - Lithonia LP6, GRS6HSG
  - Juno TC906
  - Capri CM6

**Compliance Labels**

- UL Classified Retrofit
- UL/cUL Listed for Damp Location
- UL/cUL Listed for Wet Location with designated trims\*
- Rated for 15W maximum with Halo 600 Series and 900 Series
- Rated for 25W maximum with Halo 1200 Series
- Peel-down de-rating wattage label provides relamp de-rating from 25W maximum with 1200 Series LED modules to the 15W maximum rating when using Halo 600 Series and 900 Series LED Modules; as required by local or state energy building code or energy compliance regulations.

**Qualification**

May be used with qualified Halo LED modules and designated trims to meet industry standard and code compliant qualifications such as ENERGY STAR® \*



**ML7BXRFK**

**6" Retrofit Enclosure with Hard-Wired BX Connector**

For use with Halo 6" LED Modules\*

RA56 Adjustable Gimbal Modules

RL56 and LT56 Downlight Modules

ML56 600, 900, 1200 Series Modules with 69X Series Trims

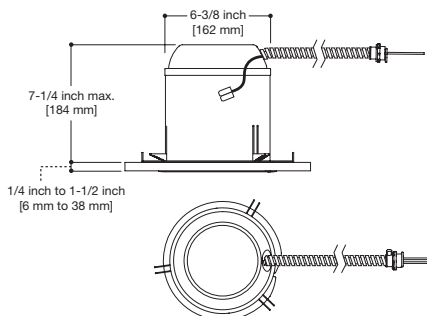
SLD6 600, 1200, and 1200 UNV Series Surface LED

**FOR USE IN NON-INSULATED CEILING**

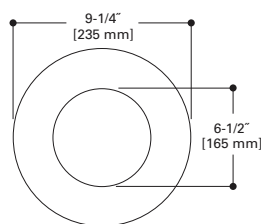
**High Efficacy LED Housing**

**DIMENSIONS**

**ML7BXRFK**



**OH470WH**



**ORDERING INFORMATION**

**SAMPLE NUMBER:**

A complete Halo LED open frame retrofit includes: 1) MLBXRFK enclosure, 2) Halo RA56, RL56, LT56 LED modules, SLD6 surface LED, or ML56 LED modules with 69X trim - ordered separately.

(Refer to respective LED Module and LED trim specification sheets for further information)

**Open Frame Retrofit Kit**

**ML7**

ML7= 6" LED Series compatible retrofit enclosure

**BXRFK**

BXRFK= Hard-wired BX retrofit frame kit

**Open Frame Retrofit Accessories**

**Oversize Housing Ring**

**OH470WH** 6" Oversize housing adapter ring for use with open frame retrofit enclosures ML7E26RFK and ML7BXRFK, 9-1/4" O.D.