

DESCRIPTION

Metal baffle trim for use with the H5 series housings. Dual position socket support for BR, R or PAR lamps.

Catalog #		Type
Project		
Comments		Date
Prepared by		

SPECIFICATION FEATURES

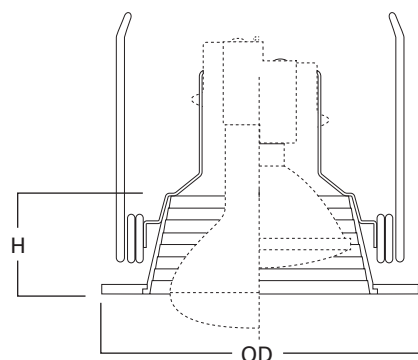
Torsion springs pull trim tight to ceiling. Straight sided trim ring coordinates with Halo small aperture trims.

Lamp Listings - Incandescent

H5ICAT	60W BR30, 50W PAR30
H5RICAT	60W BR30, 50W PAR30, 50W PAAR30L
H5T	60W BR30, 75W R30, 75W PAR30
H5RT	

Lamp Listings - GU24

H524ICAT	CF15/R30/GU24
H524ICATL	
H524RICAT	CF13/GU24 (spiral)
H524RICATL	



Height: 2-1/16" [52mm]
Outside Diameter: 6-3/8" [162mm]

H5T-5010 75W PAR30FL 1100 Lumens		Work Plane		H5T-5010 75W R30FL 900 Lumens	
Dia	FC			FC	Dia
3'0"	73	5'6"		13	6'0"
4'0"	52	6'6"		10	7'0"
5'0"	34	8'0"		6	8'0"
6'0"	22	10'0"		4	10'0"
7'0"	15	12'0"		3	12'0"

Test No. H36045
Work Plane is 2-1/2' above floor
Dia of circle is 50% of max footcandles directly under fixture

ORDERING INFORMATION

Trim	Finish	Accessories
<input type="text"/>	<input type="text"/>	<input type="text"/>
5010 = 5" Metal baffle trim	Blank = White trim ring with black baffle W = White trim ring with white baffle	OT500P = 5" Oversize trim ring - white



5010
White Trim, Black Baffle



5010W
White Trim, White Baffle

5010

5-Inch Metal Baffle