

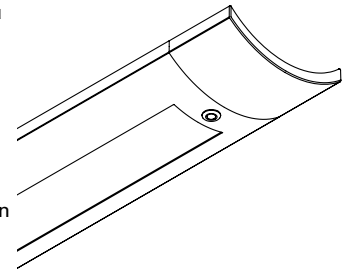
CORELITE LUMAWATT PRO CONNECTED LIGHTING SYSTEM POWERED BY ENLIGHTED

LumaWatt Pro powered by Enlighted is an integrated system of luminaires, digital sensors, and application-based software for any size project. The strengths of LumaWatt Pro are based on the independent, secure operation of individual sensors in every luminaire, combined with wireless communication to the powerful Energy Manager. The system aggregates input from the sensor network to provide visibility to several aspects of environmental data, translating the input into easy-to-read dashboards of analytic detail. The dashboards empower the customer to adjust the system to improve energy savings, optimize the use of the space, interact with heating, ventilation, and air-conditioning (HVAC) systems, and report on system infrastructure to reduce maintenance. By collecting granular, real-time data from state-of-the-art integrated sensors and advanced, smart building solutions, you are in control.

How it works:

- Luminaires are factory wired to sensors, which provide lighting control and act as independent, fault-proof, resilient networks of powerful end-points. Sensors contain profiles with all of the variables for the application assigned once a configuration is set. The sensor will manage the fixture without connectivity to the system.
- Sensors gather data from four on-board inputs: PIR occupancy, light, temperature, and current use. Local processors and memory collect the information and communicate wirelessly to gateways; connected using an easy installation and secure set up.
- Gateways communicate using industry-standard wired technology to the Energy Manager, for powerful, familiar dashboards of information tailored for easy use on a connected computer.
- Energy Managers connect to cloud-based applications, maximizing the dense, data-rich sensing within the footprint of the luminaire for management of the building environment and much more.

Catalog #		Type
Project		
Comments		Date
Prepared by		



LUMAWATT PRO POWERED BY ENLIGHTED IN CORELITE LUMINAIRES



Divide Suspended WaveStream LED Iridium WaveStream LED Element WaveStream LED Loft WaveStream LED Vertechs WaveStream LED Minigator WaveStream LED RZL



Bridge WaveStream LED Divide Recessed WaveStream LED

Corelite luminaires are available in 2' x 2', 2' x 4', 1' x 4' and linear sizes where shown. The Lumawatt Pro system is compatible with all sizes. Multiple integrated sensors (LWIPD1) are used in linear runs.

ORDERING INFORMATION

HOW TO SELECT:

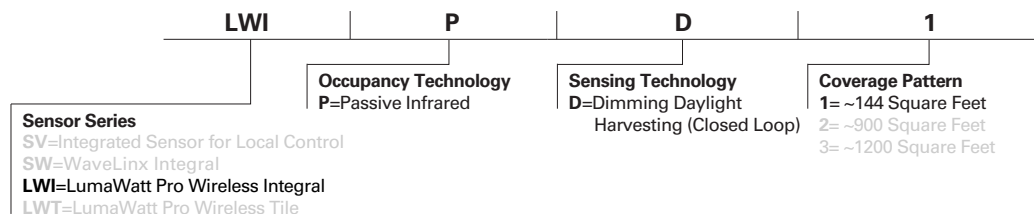
Replace the following catalog logic characters for LumaWatt Pro compatible luminaires. Refer to luminaire specification sheet for catalog logic and options.

Driver Type	SR = Sensor Ready (5%-100%)
Optional sensor	LWIPD1 = Integral LumaWatt Pro wireless sensor factory installed

EXAMPLE CATALOG LOGIC

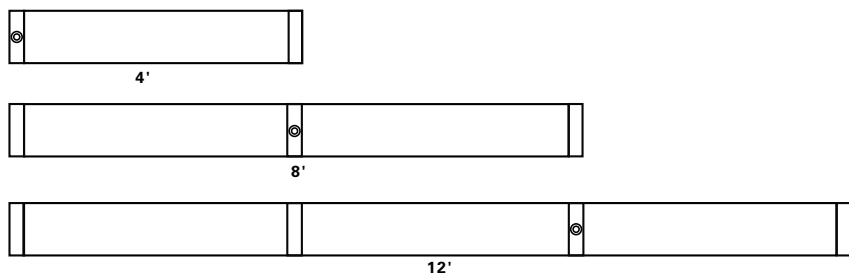
Without sensor: I2-WS-3L35-1D-UNV-AC48-T1-16-STD
 With sensor: I2-WS-3L35-1D-UNV-AC48-T1-16-SR-LWIPD1

Note: The RZL product uses the STD or HCD driver option instead of the SR driver option.
 Note: Only dimming or battery wiring options are available with the LumaWatt Pro sensor.



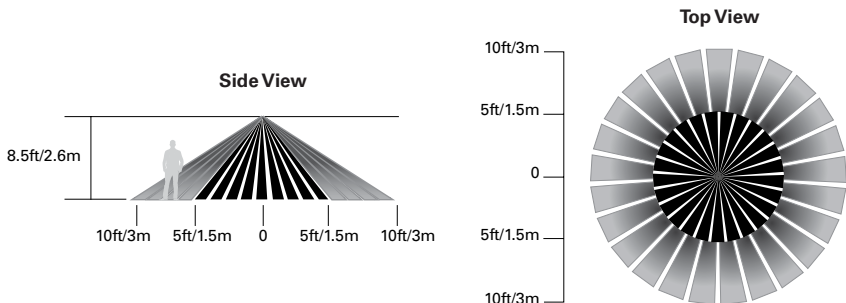
Compatibility Details: Corelite LumaWatt Pro luminaires are compatible only with the LumaWatt Pro system and software and require system components to be installed for operation.

LUMAWATT PRO SENSOR LOCATIONS IN CORELITE LINEAR PRODUCTS



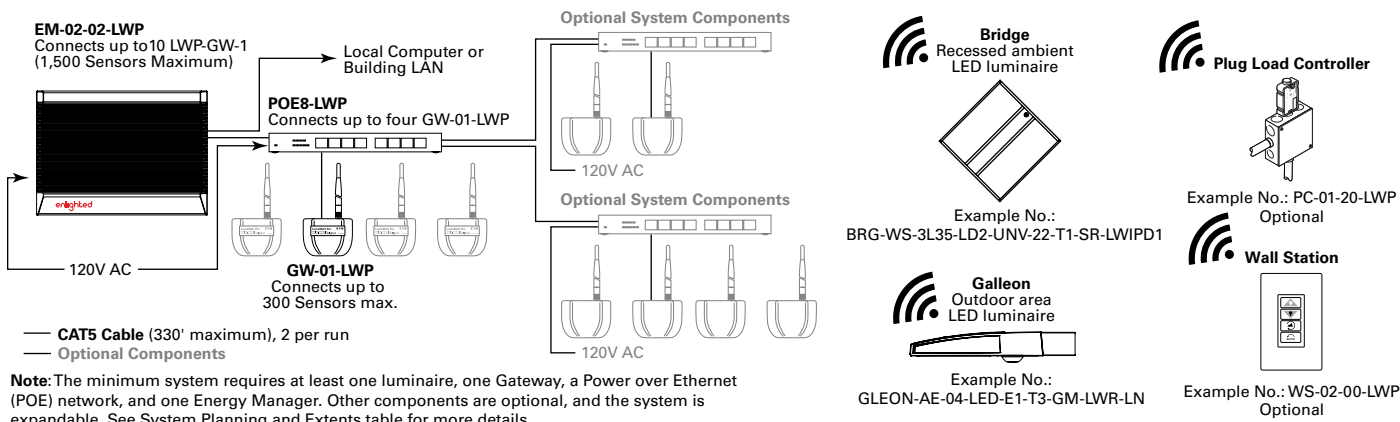
Sensors will be approximately located as shown on individual luminaires. When configured in linear runs, the same locations will apply based on the size of sections that comprise the run. Each 4', 8', or 12' section will be individually controllable with the LumaWatt Pro system. For Corelite 12' unit size availability, consult fixture specification sheet for details.

COVERAGE, LWIPD1 OPTION INTEGRATED SENSOR

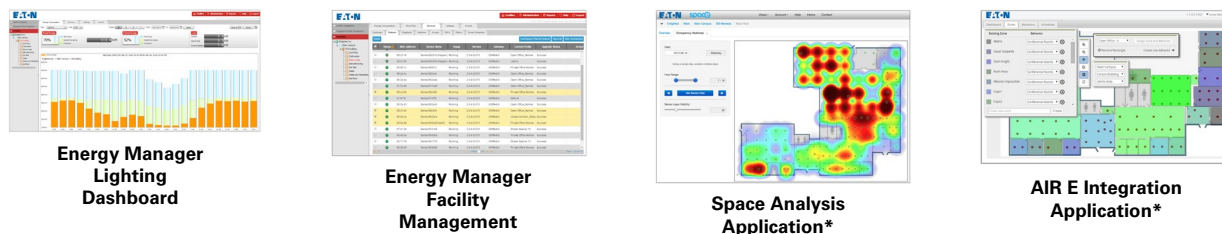


Note: Recommended sensor placement is one-to-one per fixture. Coverage patterns indicate where occupancy detection occurs. Exceeding the height or spacing shown will result in reduced coverage.

SYSTEM CONFIGURATIONS



SOFTWARE APPLICATIONS



Note: Software applications are internet browser based and require a network connection. Secured with configurable user name/password protection.

*Optional cloud-based data analytics applications. Contact your Eaton representative for more information.