

DESCRIPTION

The Bridge™ LED recessed offers a traditional yet modern design with the latest in solid-state lighting technology. High performing WaveStream™ optics allow for maximum energy savings and optimal illumination in a ultra-minimalistic shallow recessed fixture. Two WaveStream optic options are available; a fully uniform pattern and a square pattern that provides a unique translucent appearance without sacrificing performance. Additional shielding options are also available including rectangular perf, round perf, and nano-prism inlays. Available in 2x2, 2x4, 1x4 sizes along with several popular metric sizes, the Bridge is highly configurable with well-thought-out options and a number of architectural styles for application versatility.

SPECIFICATION FEATURES

Construction

Shallow 3-7/8" deep housing is a 22 gauge steel reflector with injection molded high-reflectance polycarbonate end plates securely attached with integral snaps and screws for strength, rigidity and the elimination of gaps. WaveStream light engine with extruded aluminum heatsinks span across the bottom of the luminaire. Drivers can be accessed via plenum. Large access plate for supply connection. Fixture weight: 20.0 lbs.

Optics

Optical grade acrylic embedded with patented WaveStream Accu-Aim™ optics for optimal

distribution, excellent uniformity, and high performance. Center light engine becomes virtually clear in the off-state.

Finish

Fixture housing and back reflector are high reflectance white using electrostatically applied polyester powder coat paint for durability and luminous uniformity.

Electrical

Long-life LED system coupled with electrical driver to deliver optimal performance. Projected life is 100,000 at 75% lumen output. LEDs are available in 3000K, 3500K or 4000K with a typical CRI ≥ 85.

Standard drivers are 0-10 volt continuous dimming that work with any 0-10V control/dimmer. Or, specify Digital Addressable Lighting Interface (DALI) drivers; for use with Fifth Light controls. See ordering information for details.

Mounting

Universal flange design works with most lay-in ceiling types. Integral pry-out tabs secure luminaire to ceiling grid from above. Fixture offers tie-in locations for tie-wire on all corners. Consult local code for appropriate tie-wire recommendations. See Technical Notes section for drywall frame kit and surface mount kit options.

Compliance

Components are UL recognized and luminaires are cULus listed for 25°C ambient environments, damp location listed, and RoHS compliant. DesignLights Consortium™ Qualified and classified for DLC Standard, refer to www.designlights.org for details.

Warranty

Five-year warranty.



BRIDGE - BRG

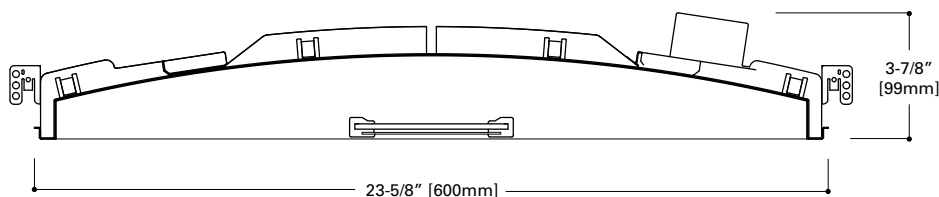
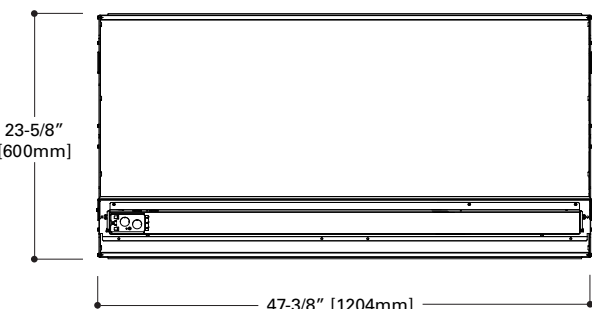
Square Pattern

WaveStream™ LED

2' x 4' Recessed
3-7/8" Depth

CERTIFICATION DATA
cULus - 1598
Damp Location Listed
IC Rated
LM79/LM80 Compliant
ROHS Compliant
DesignLights Consortium™ Qualified

LumaWatt Pro
Wireless sensing
& control system | **enlighted**



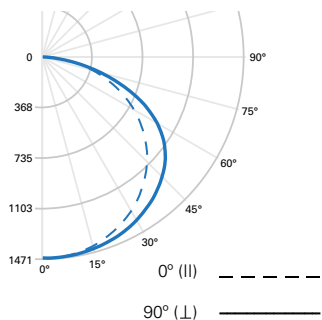
ORDERING INFORMATION

Sample Number: BRG-SQ-3L35-LD2-UNV-24-T1-STD-SVPD1-EL14W-AR

Series ⁽¹⁾		Optics/Shielding		Light Level (2x4 Nominal delivered lumens)		Color Temperature		LED Version		Input Voltage	
BRG = Bridge Recessed		SQ = WaveStream Square Pattern		1 = Light Level 1 (3000 Lms, 27W) 2 = Light Level 2 (4000 Lms, 39W) 3 = Light Level 3 (5000 Lms, 47W) 4 = Light Level 4 (6000 Lms, 58W) 5 = Light Level 5 (7000 Lms, 70W)		L30 = LED 3000K L35 = LED 3500K L40 = LED 4000K		LD2 = LED 2.0		UNV = Universal (120V-277V) 347 = 347V ^{(2) (9)}	
Size	Ceiling Type	Driver Type		Integral Sensor (Optional)		Emergency (Optional)		Options			
24 = 2' x 4'	T1 = 1" T-Bar, Slot Grid, and 9/16" Tegular ⁽³⁾ T9 = 9/16" T-Bar (Flush)	STD = Standard 0-10V (10%-100%) HCD = 0-10V (1%-100%) ⁽⁶⁾ STP = Step Dimming (Bi-Level, 40%) ^{(5) (7)} 5LT = Fifth Light DALI (10%-100%) ⁽⁴⁾ 5LTHD = Fifth Light DALI (1%-100%) ^{(4) (8)} SR = Sensor Ready (5%-100%)		SVPD1 = Integrated Occupancy/Daylight Sensor for Local Control ⁽¹⁰⁾ SWPD1 = WaveLinx Wireless Integral Sensor ⁽¹¹⁾ LWIPD1 = Lumawatt Pro Wireless Integral Sensor ⁽¹²⁾		EL14W = 14-watt 120V-277V Integral EM Battery Pack ⁽¹³⁾ GTD2 = Bodine Generator Transfer Device ⁽¹⁴⁾		AR = Air Return CP = Chicago Plenum ⁽¹⁵⁾ W6 = 6' Whip Flex W12 = 12' Whip Flex			

See page 2 for technical notes

PHOTOMETRICS



FILE NAME: BRG-SQ-3L35-LD2-UNV-24-STD.IES

LAMP: (LD2) LED 3500K

LUMENS: 5027 Lm

WATTS: 47.2 W

EFFICACY: 107 Lm/W

TEST NO.: P189716

SC: (II) 1.31, (L) 1.4

ZONAL LUMENS SUMMARY

Zone	Lumens	% Fixture
0°-30°	1178	23.4
0°-40°	1978	39.4
0°-60°	3740	74.4
0°-90°	5027	100

LUMINANCE DATA (cd/m²)

Vertical Angle	0°	45°	90°
45°	2331	2480	2669
55°	2345	2609	2883
65°	2336	2696	2951
75°	2236	2603	2554
85°	1594	1474	1329

LUMEN MAINTENANCE

Ambient Temperature	TM-21 Lumen Maintenance (100,000 hours)	Theoretical L70 (Hours)
25°C	>75%	125,000

ENERGY AND PERFORMANCE DATA

2x4 - Bridge Light Level Outputs and Distributions (3500K)				
Series	Light Level	Delivered Lumens	Wattage	Efficacy (LPW)
BRG-SQ	1	3055	27.1	113
	2	4030	38.5	105
	3	5027	47.2	106
	4	5984	58.5	102
	5	6960	70.2	99

TECHNICAL NOTES

- Dimming wires come standard in all LED fixtures but can be capped in the field for standard switched operation.
- Integral 347V electronic driver with STD 0-10V option only. Factory supplied remote transformer for all other driver/dimming options.
- "T1" ceiling type is compatible with Metalux DF Series Drywall Frame Kits and Metalux Universal Surface Mount Kits, ordered separately from Metalux. For 2x2 drywall frame kit, order part #DF-24-W. For 2x2 surface mount kit, order part #SK-24-WS. Refer to the surface mount kit specification sheet for more information.
- Must be used in conjunction with a DALI control system. For a complete listing of Fifth Light Technology products and other solutions from Cooper Controls, visit www.eaton.com/lightingsystems.
- 2x4: STP driver not available in Light Levels 1.
- 2x4: Two HCD drivers required for Light Levels 4 and 5.
- 2x4: Two STP drivers required for Light Level 5.
- 2x4: Two 5LTHD drivers required for Light Levels 4 and 5.
- 2x4: Two 347V 0-10V drivers required for Light Level 5.
- SV sensor works only with 0-10V drivers and is factory prewired to the driver for stand-alone control. Order #ISHH-01 for Programming Remote and #ISHH-02 for Personal Control Remote.
- SW sensor works only with STD and HCD 0-10V drivers. Designed for use with the WaveLinX Wireless Connected Lighting system. For complete WaveLinX wireless solutions, visit www.eaton.com/wavelinx.
- LWI sensor option requires the use of the SR driver. Must be used in conjunction with a LumaWatt Pro control system. For complete LumaWatt Pro wireless solutions, visit www.eaton.com/lumawattpro.
- Integral emergency battery pack is 14W maximum, 90 minute output. A test switch/indicator button can be tested safely from the ground using a laser pointer, while the patented EZ Key prevents accidental discharge of the battery during construction. For approximate delivered lumens multiply the lumens per watt of the desired fixture by the wattage of the emergency battery pack (100 lm/W x 14=1400 lumens). Emergency battery pack not available with two driver configurations.
- Used to transfer fixture to secondary power source for life-safety operation. When used with a dimming fixture, two devices are required to ensure control is disabled while operating under emergency power. Product height with transfer device is 5" (126mm).
- Chicago plenum not available with GTD.

SVPD1 INTEGRATED SENSOR

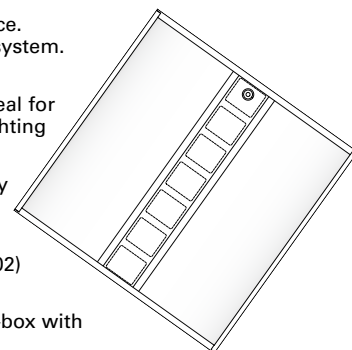
The Bridge with Integrated Sensor technology provides automatic energy savings without sacrificing performance. Traditionally, these types of energy savings required coordination between the luminaire and a lighting control system. The Bridge delivers superior lighting with integrated PIR occupancy and daylighting controls.

Capture the benefits of traditional lighting controls, without complicated coverage planning or special wiring. Ideal for new construction or retrofit, the Bridge delivers automatic ON to an energy saving light level, while ensuring lighting is turned OFF when the space is unoccupied.

The integral daylight sensor reduces the need for special daylight zone planning. The luminaire will automatically adjust the light level based on reflected light beneath the sensor in a closed loop method.

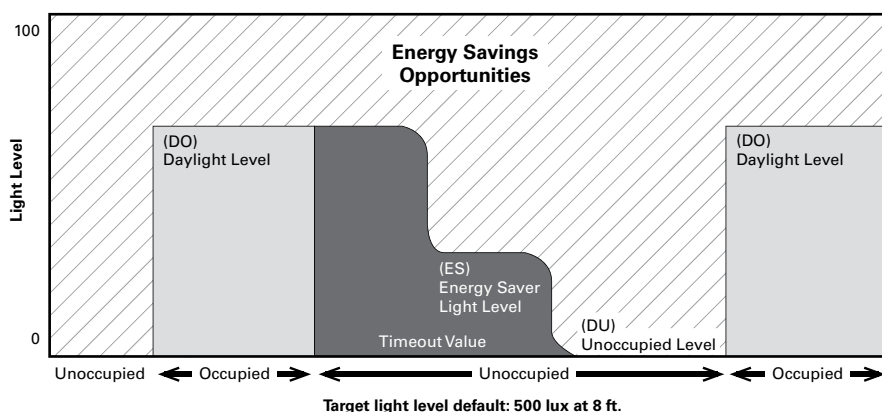
Occupied daylight light levels and unoccupied light levels can be adjusted using the integrated sensor programming remote (Catalog Number: ISHH-01). The integrated sensor personal remote (Catalog Number: ISHH-02) provides code compliant manual raise, lower, ON, OFF control.

The Bridge with Integrated Sensor is easy to install with no special wiring and ensures energy savings out-of-the-box with default control settings.

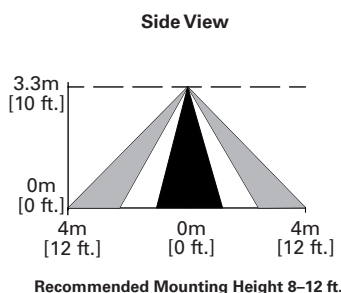
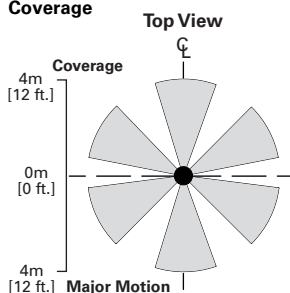


How it works:

- As the user enters the space controlled by the integral sensor, the lighting turns ON to the daylight level (default 500 lux).
- Lighting will remain at the daylight level until the space is unoccupied. This will start the occupancy timeout period (default 20 minutes).
- If the space remains unoccupied for half of the timeout period, the lighting will automatically reduce to the Energy Saver light level. This adjustable light level is typically half of the occupied daylight level.
- At the end of the timeout period the lighting will go to the unoccupied light level. This adjustable light level uses the OFF default setting.



Coverage



Optional Remote Controls



ISHH-01 Programming Remote



ISHH-02 Personal Control Remote