

Installation Instructions – CL Recessed Grid Installation -T1/T2

WARNING



Risk of Fire and Electric Shock- Make certain power is OFF before starting installation or attempting any maintenance. Disconnect power at fuse or circuit breaker.

Risk of Fire- Minimum 90°C supply conductors.



Risk of Fire and Electric Shock- Installation and maintenance of this product must be performed by a qualified electrician. This product must be installed in accordance with the applicable installation code by a person familiar with the construction and operation of the product and hazards involved.



Risk of Burn- Disconnect power and allow fixture to cool before handling or servicing.



Risk of Personal Injury- Due to sharp edges, handle with care. Use personal protective equipment.

Failure to comply with these instructions may result in death, serious bodily injury and property damage.

DISCLAIMER OF LIABILITY: Eaton assumes no liability for damages or losses of any kind that may arise from the improper, careless, or negligent handling and installation of this product.

IMPORTANT: Read carefully before installing fixture. Retain for future reference.

NOTICE: Green ground screw provided in proper location. Do not relocate.

NOTICE: Fixture may become damaged and/or unstable if not installed properly.

NOTICE: Specifications and dimensions subject to change without notice.

ATTENTION Receiving Department: Note actual fixture description of any shortage or noticeable damage on delivery receipt. File claim for common carrier (LTL) directly with carrier. Claims for concealed damage must be filed within 15 days of delivery. All damaged material, complete with original packing must be retained.

Installation Instructions

Corelite Series (2 and 4)

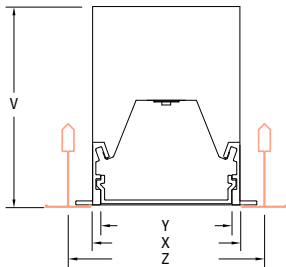
Individual and Continuous Luminaires
For Installation in Grid Ceilings

⚠ Before starting any work, ensure that all power sources are turned off. All work must meet local/national electrical codes and be performed by a certified electrician.

Parts List

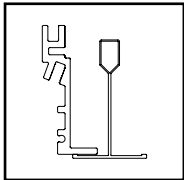
- Luminaire
- Grid Bracket/Joiner (pre-installed in fixture)
- Access Plate (pre-installed in housing)
- Support Wire (by others)
- Shielded Cable (by others)
- Lens Removal Tool
- Push-in Quick Connects or wire nuts
- Alignment Pins (pre-installed in fixture) (Continuous runs only)
- #8-32 2-1/2" Bolts and Nuts (Continuous runs only)
- 9/64" Allen Wrench (by others)
- 11/32" Flexible Nut Driver (by others)
- #2 Phillips Screwdriver (by others)

Cross Section and Grid Spacing Details

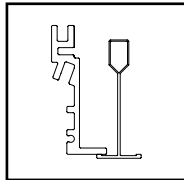


CL Cross Section Dimensions				
All Grid	V (Flush)	X	Y	Z
CL2	3.500	2.000	1.680	3.000
CL4	4.506	4.000	3.680	5.000

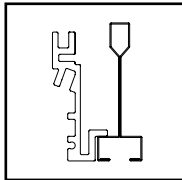
Mounting Information - Extruded Trim Flange Details - Refer to submittal drawings for detailed flange information



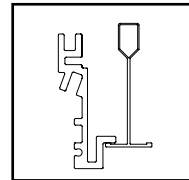
T1
15/16"
T-Grid



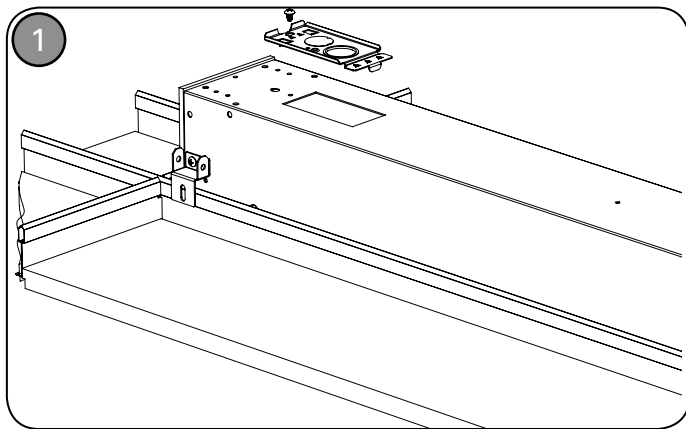
T1
9/16"
T-Grid



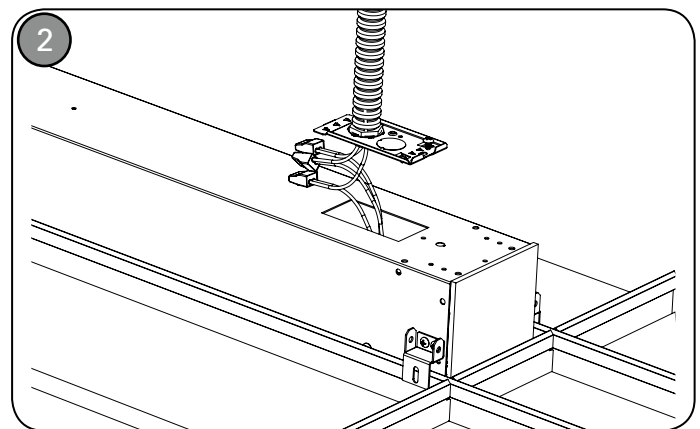
T2
Slotted
T-Grid



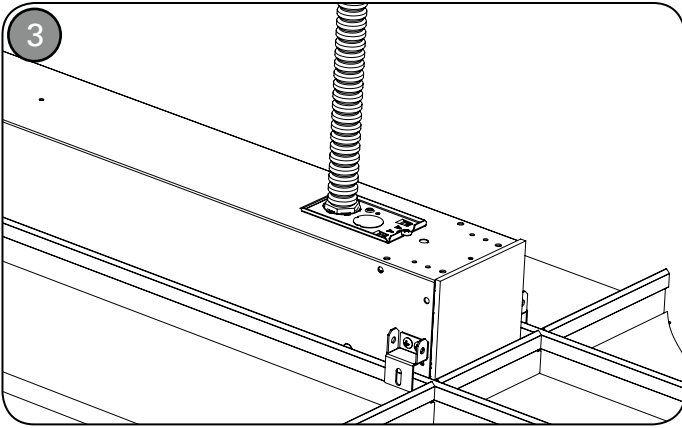
T2
9/16" Tegular
T-Grid



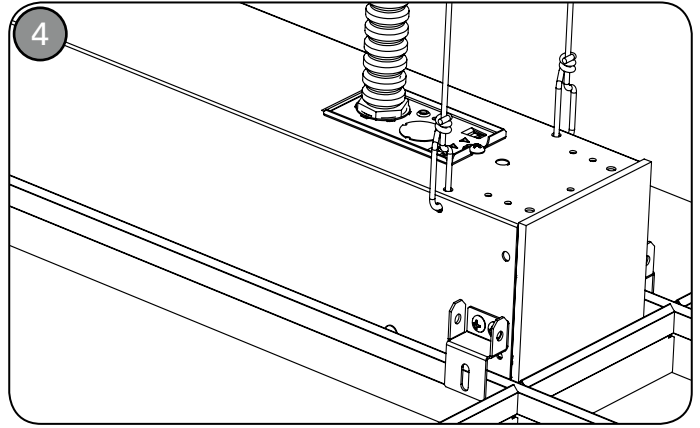
Prepare grid width spacing according to chart above and local building code. Install fixture housing into grid. Ensure Grid brackets secure over grid and fixture is resting on grid tee. Unscrew access plate and slide to remove as shown.



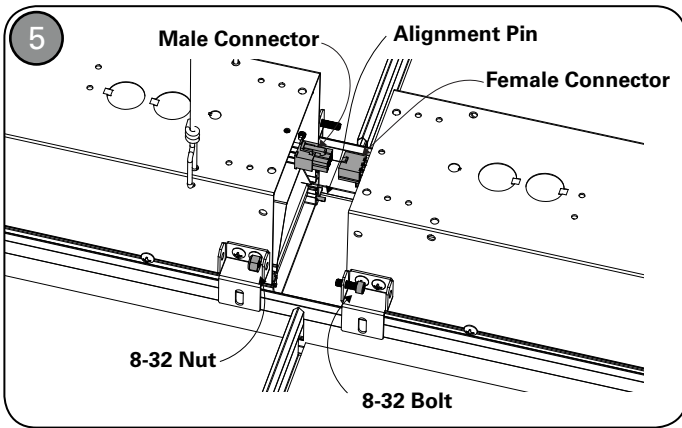
Connect shielded cable to access plate. Connect electrical wiring as required using provided push-in connector. Ensure wires are fully secure in connectors.



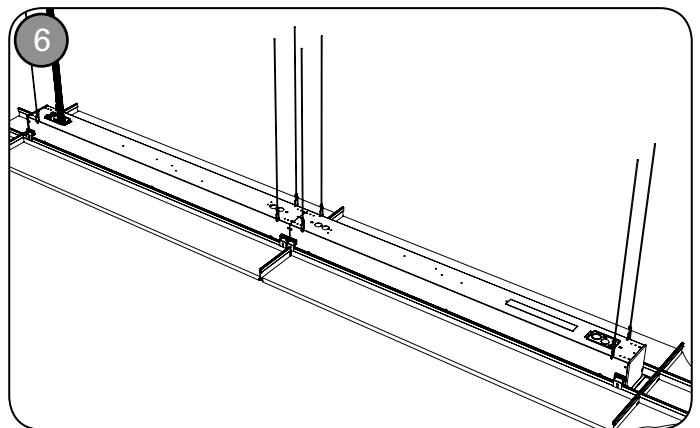
Reattach access plate by sliding plate back into housing as shown and secure access plate by re-installing screw.



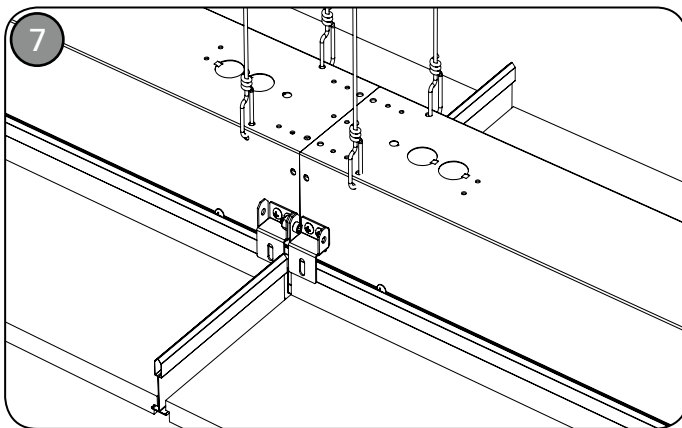
Secure fixture at both ends using support wire according to local building codes (not supplied).



FOR CONTINUOUS RUNS: Connect through wiring using the provided push-in connectors, pressing together until they click into place. Tuck wiring into fixture and push together ensuring alignment pins are properly connected into mating features of the next fixture. Secure run using #8-32 bolts and nuts on each side of fixture through grid brackets.

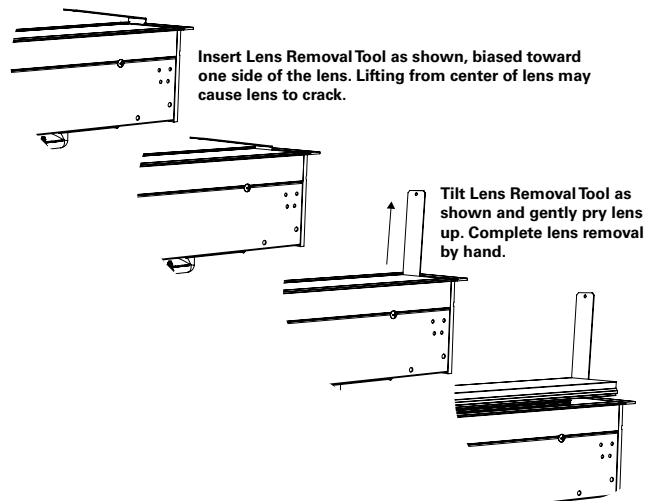


FOR CONTINUOUS RUNS: Secure next fixture in row using support wires on both sides of fixture. OPTIONAL STEP: Secure fixture to grid using #8 screws through grid bracket. Required for seismic installations. Repeat steps 5-6 as necessary.



Installation completed.

Lens Removal (Not typically required)



Warranties and Limitation of Liability

Please refer to www.eaton.com/LightingWarrantyTerms for our terms and conditions.

Garanties et limitation de responsabilité

Veillez consulter le site www.eaton.com/LightingWarrantyTerms pour obtenir les conditions générales.

Garantías y Limitación de Responsabilidad

Visite www.eaton.com/LightingWarrantyTerms para conocer nuestros términos y condiciones.

Eaton
1121 Highway 74 South
Peachtree City, GA 30269
P: 770-486-4800
www.eaton.com/lighting

Canada Sales
5925 McLaughlin Road
Mississauga, Ontario L5R 1B8
P: 905-501-3000
F: 905-501-3172

© 2018 Eaton
All Rights Reserved
Printed in USA
Imprimé aux États-Unis
Impreso en los EE. UU.
Publication No. IL525019EN
November 12, 2018

Eaton is a registered trademark.
All trademarks are property
of their respective owners.

Eaton est une marque de commerce
déposée. Toutes les autres marques
de commerce sont la propriété de leur
propriétaire respectif.

Eaton es una marca comercial
registrada. Todas las marcas
comerciales son propiedad de sus
respectivos propietarios.

Product availability, specifications,
and compliances are subject to
change without notice

La disponibilité du produit, les
spécifications et les conformités
peuvent être modifiées sans préavis

La disponibilidad de productos, las
especificaciones y los cumplimientos
están sujetos a cambio sin previo aviso