

## Installation Instructions - Element/Loft/Minigator/Vertechs/i2 WaveStream LED Suspended

---

** WARNING**

---

**Before starting any work ensure that all sources of power are turned OFF. All work must meet local/national electrical codes and be performed by a certified electrician.**

---

** WARNING**

---

**This product must be installed in accordance with the applicable installation code by a person familiar with the construction and operation of the product and the hazards involved. Eaton assumes no responsibility for claims brought about by improper or careless installation or handling of this product.**

---

** CAUTION**

---

Risk of Fire and Electric Shock. If not qualified, consult an electrician.

---

** CAUTION**

---

Edges may cut. Handle with care.

**NOTICE:** Green ground screw provided in proper location. Do not relocate.

**NOTICE:** If supply wires are located within 3 inches of ballast/driver, use wire rated for at least 90°C (194°F).

**NOTE:** Not all options available. Please consult your Eaton Representative for availability. Specifications and Dimensions subject to change without notice.

---

**IMPORTANT:** Read carefully before installing fixture. Retain for future reference.

**ATTENTION - Receiving department:** Note actual fixture description of any shortage or noticeable damage on delivery receipt. File claim for common carrier (LTL) directly with carrier. Claims for concealed damage must be filed within 15 days of delivery. All damaged material, complete with original packing must be retained.

## INSTALLATION

### The Following Instructions are to be used for the Following Products:

- Element Suspended (E2 LED)
- Loft Suspended (L2 LED)
- Minigator Suspended (MB LED)
- Vertechs Suspended (VB LED)
- i2 Suspended (i2 LED)

### Remove Fixture From Packaging

1. Using Clean work gloves, carefully slide fixture out of packaging materials.

### Remove LED Light Engine



Plastic protective film must remain on LED Light Engine until construction debris is no longer present.

1. The LED Light Engine(s) must be removed prior to installation. Use flat head screw driver if necessary on both ends. (Figure 1.)
2. Unclip the connectors on both ends of each LED light engine. (Figure 2.)
3. Place Light Engine in a safe place and follow the installation instructions to install the fixture from the ceiling. Do not place Light Engine on the fixture or hang off the side during installation.

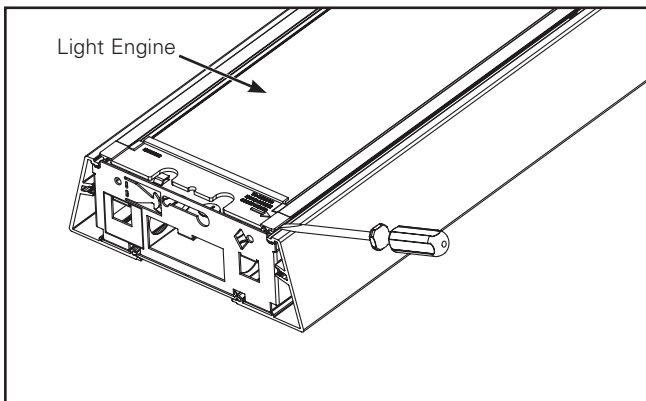


Figure 1.

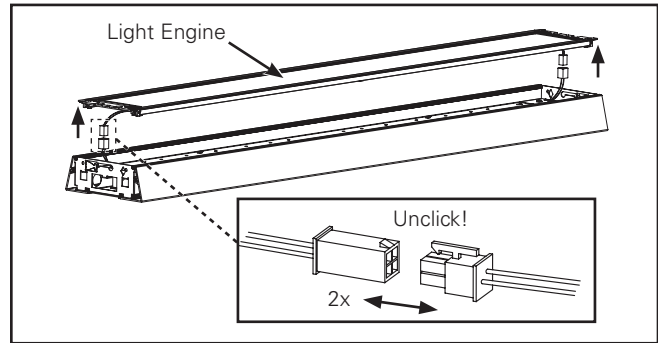


Figure 2.

### Installing Aircraft Cables

1. Slide clip into slot of end bracket and secure adjuster to clip. Tighten screw leaving enough gap in the clip to slide back and forth. Insert aircraft cable into adjuster to desired length. Press down on adjuster to release cable. Repeat on opposite end. (Figure 3.)



If cutting aircraft cable, ensure that at least 3 inches of additional length is exiting the cable adjuster. Aircraft cable may fray and decrease cable strength.

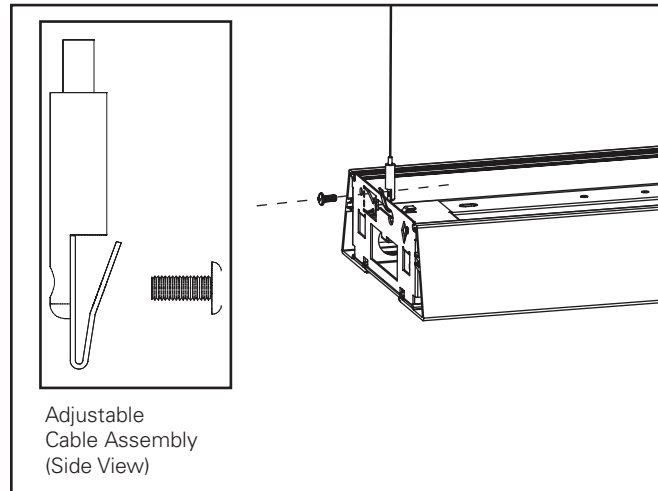
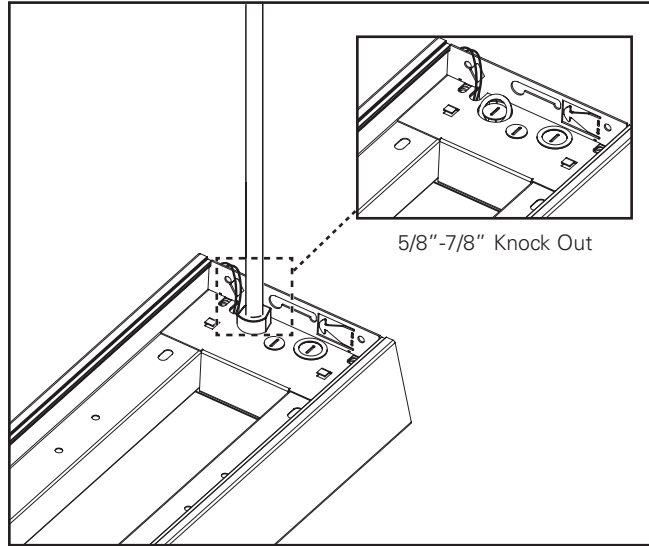


Figure 3.

**Power Drops**

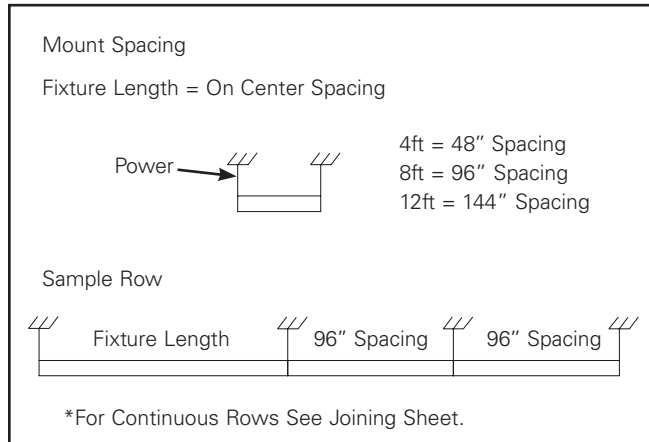
1. Break off appropriate KO, slide power cord through KO opening, then secure power cord with strain relief. (Figure 4.)

**Note:** Location of the KO's varies depending on fixture.



**Figure 4.**

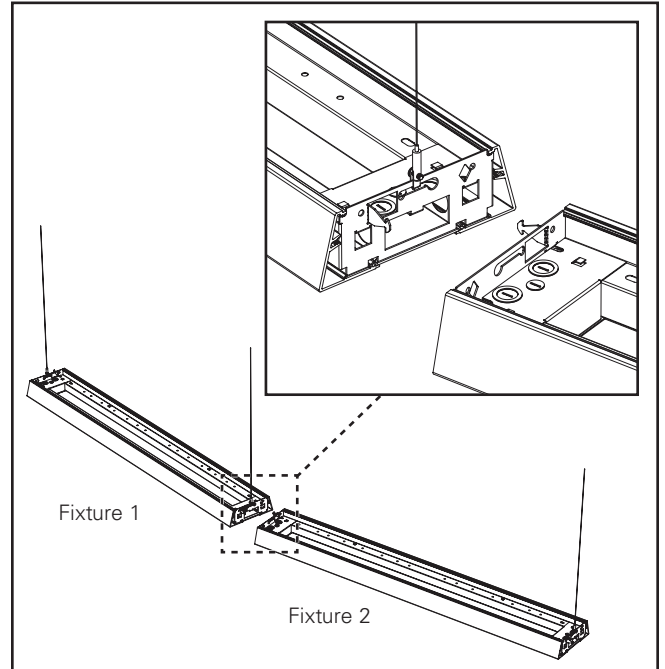
**Mount Spacing**



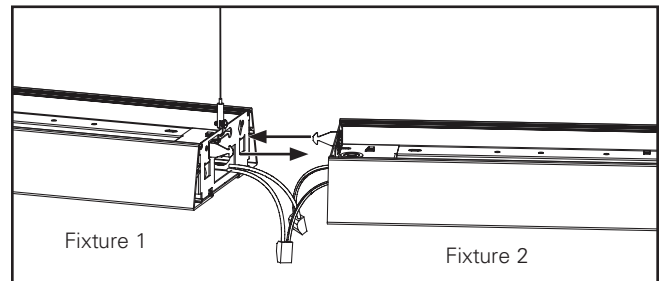
**Figure 5.**

**Joining**

1. Install first fixture with two AC cable assemblies, then each additional fixture with one additional cable at the opposite end of the joint. (Figure 6.)
2. Bend out tapered aligning tabs and fit into aligner slots. Fixture 2 is now supported by fixture 1 at the joint.
3. Make electrical connections. (Figure 7.)
4. Tuck wires into wire cavity, slide both fixtures together.



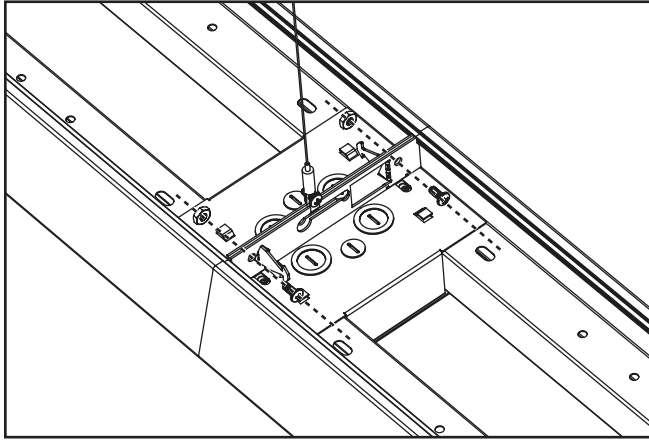
**Figure 6.**



**Figure 7.**

# Installation Instructions - Element/Loft/Minigator/Vertechs/i2 WaveStream LED Suspended

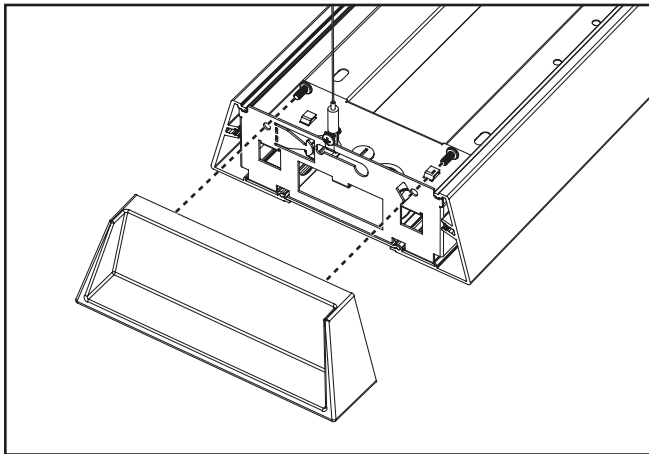
- Secure fixtures using two 10-32 x 3/8" screws and nuts. Tighten 1/4 turn past hand-tight. (Figure 8.)
- Repeat for all joints.



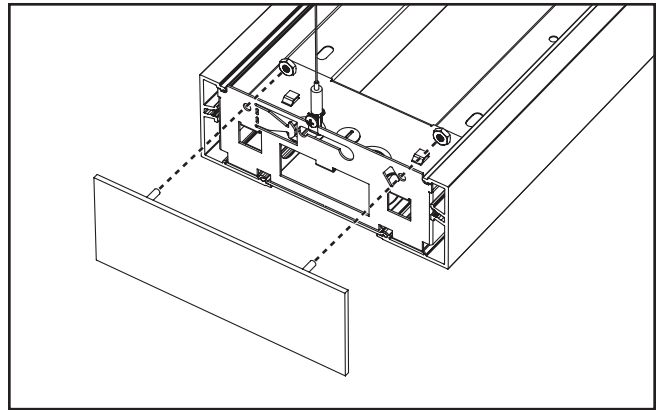
**Figure 8.**

## End Cap/End Plate

- End Cap: Slide into end of fixture and secure with two 10-32 x 3/8" self-tapping screws. (Figure 9.)  
OR
- End Plate: Slide into end of fixture and secure with two 10-32 nuts. (Figure 10.)



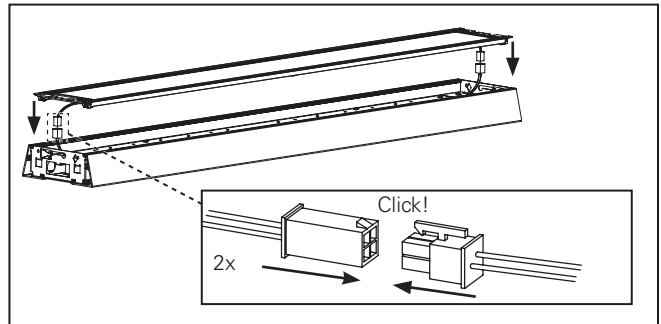
**Figure 9.**



**Figure 10.**

## Light Engine Re-Install

- After fixture installation is complete, re-install Light Engine(s).
- Tear along perforated edge to remove plastic protective film prior to installing light engine.
- Place Light Engine on top of fixture with connectors accessible.
- Snap connector together at both ends of each Light Engine. Any excess wire should be tucked back through the hole inside the fixture. (Figure 11.)
- Align Light Engine in fixture and snap into place.

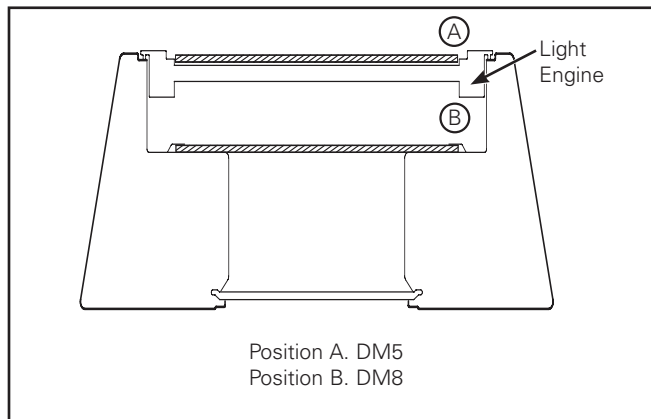


**Figure 11.**

## Installing the DM Kit in the Field

**Note:** DM Kit can be specified and factory installed or ordered separately and installed in the field. (Figure 12.)

1. Unwrap DM Kit from packaging.
2. If DM5 is being installed, secure the lens above the Light Engine - position A (Figure 12).
3. If DM8 is being installed, remove Light Engine as shown in Figure 2. Secure lens into position B (figure 12). Re-Install Light Engine as shown in (Figure 11).



**Figure 12.**

## Fixture Maintenance/Cleaning

1. Always follow recommended cleaning and handling procedures when cleaning the WaveStream™ lens. It can be permanently damaged if cleaned or handled improperly.
2. Before cleaning a WaveStream™ lens, take time to inspect the surfaces carefully in order to determine the type and severity of the contaminants. The process of cleaning the lens can result in damage to the optical surface if repeated multiple times.
3. For WaveStream™ lens with multiple contaminants, the order in which they are removed can be important. For instance, if a WaveStream™ lens is contaminated with oil and dust, it is possible that wiping the oil off first will scratch the optical surface as the dust is drug along the surface by the wipe.

## Blowing off the Surface of an Optic

1. Dust and other loose contaminants should be blown off before any other cleaning technique is employed. Using compressed air over the entire lens is recommended to prevent static buildup.
2. When using compressed air, hold the can upright throughout the procedure. Also, start the flow of air with the nozzle pointed away from the lens. Hold the can approximately 6" from the optic and use short bursts. Move the nozzle of the compressed air can over the optic with the nozzle at a grazing angle to the optical surface in a constant one-way direction. Due to the non-contact and solvent-free nature of this cleaning method, it should be used as a first step in cleaning all optics.

## Additional Cleaning Methods

1. Fingerprints and large dust particles can be removed by gently wiping the surface with a clean microfiber cloth. If additional cleaning is required, a mild solution of distilled water and Dawn® dish soap (between 1:20 and 1:10 parts Dawn to distilled water, respectively) could be used to wash the lens. The WaveStream™ lens should not remain wet any longer than necessary to remove the contaminants. Dry off surface with deionized air. Avoid pooling of water as that tends to leave streaks on the optical surface. This method is only recommended as a last resort as it increases the risk of damaging the lens.

**Note:** Avoid any organic solvents. In addition, avoid any cleaning products including ammonia, ketones, window cleaners, or other alcohol based cleaners and solvents containing thinners, acetone, benzene and tetrachloride.

## Warranties and Limitation of Liability

Please refer to [www.eaton.com/LightingWarrantyTerms](http://www.eaton.com/LightingWarrantyTerms) for our terms and conditions.

## Garanties et limitation de responsabilité

Veillez consulter le site [www.eaton.com/LightingWarrantyTerms](http://www.eaton.com/LightingWarrantyTerms) pour obtenir les conditions générales.

## Garantías y Limitación de Responsabilidad

Visite [www.eaton.com/LightingWarrantyTerms](http://www.eaton.com/LightingWarrantyTerms) para conocer nuestros términos y condiciones.

**Eaton**  
1121 Highway 74 South  
Peachtree City, GA 30269  
P: 770-486-4800  
[www.eaton.com/lighting](http://www.eaton.com/lighting)

**Canada Sales**  
5925 McLaughlin Road  
Mississauga, Ontario L5R 1B8  
P: 905-501-3000  
F: 905-501-3172

© 2015 Eaton  
All Rights Reserved  
Printed in USA  
Imprimé aux États-Unis  
Impreso en los EE. UU.  
Publication No. IB524001EN  
November 17, 2015

Cooper Lighting Solutions is a registered trademark. All trademarks are property of their respective owners.

Cooper Lighting Solutions est une marque de commerce déposée. Toutes les autres marques de commerce sont la propriété de leur propriétaire respectif.

Cooper Lighting Solutions es una marca comercial registrada. Todas las marcas comerciales son propiedad de sus respectivos propietarios.

Product availability, specifications, and compliances are subject to change without notice

La disponibilité du produit, les spécifications et les conformités peuvent être modifiées sans préavis

La disponibilidad de productos, las especificaciones y los cumplimientos están sujetos a cambio sin previo aviso