

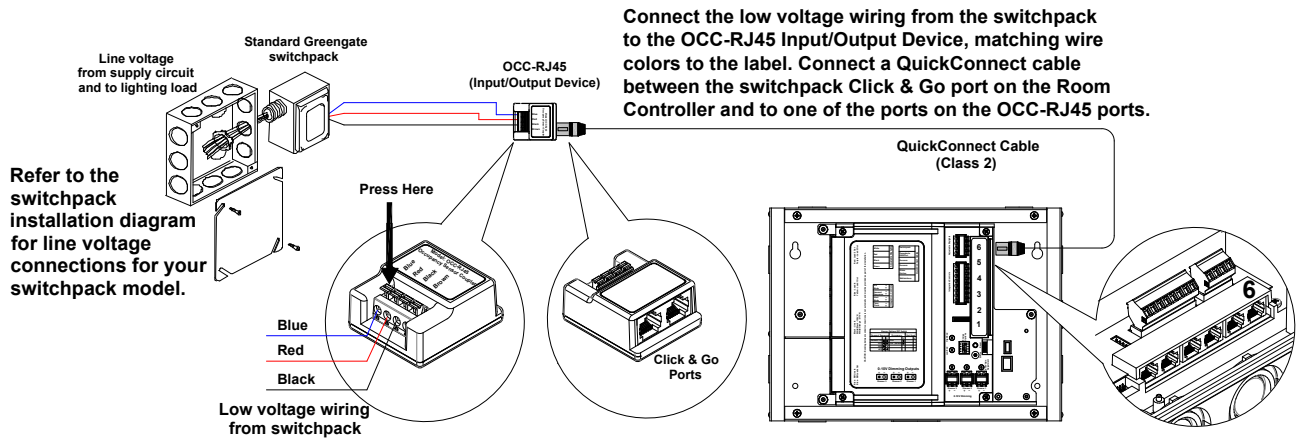
Application Note

Alternate Voltage - Switchpack Click & Go Connection

Overview

The Room Controller is typically connected to a single feeding 20A circuit which powers the controller and the controlled loads. In the event that your application requires mixed voltages, an alternative voltage switchpack may be connected to the Room Controller. Any Greengate switchpack may be wired to an OCC-RJ45 Input/Output Device to interface with the Room Controller, allowing loads powered by 120 VAC, 277 VAC, and 347 VAC circuits to be operated by the Room Controller. The switchpack will track its operation with the Load 1 relay under operation. If using After-Hours Mode in lieu of motion sensors, the switchpack output will not perform the blink warn sequence with the Load 1 relay, allowing it to be used to control metal halide or other lighting loads that cannot be short cycled.

Figure 1. Room Controller Click & Go Connection to an Alternate Voltage Switchpack



Cooper Lighting
by **EAT•N**

© 2014 Eaton
All Rights Reserved
Printed in USA
Publication No. ACC140918
October 14, 2014

Eaton is a registered trademark.

All trademarks are property of their respective owners.