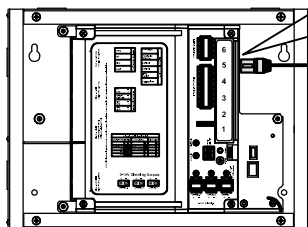
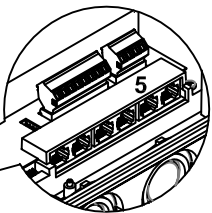


Connect a QuickConnect cable between the Receptacle Rated Switchpack and the Receptacle/BMS Click & Go port on the Room Controller.

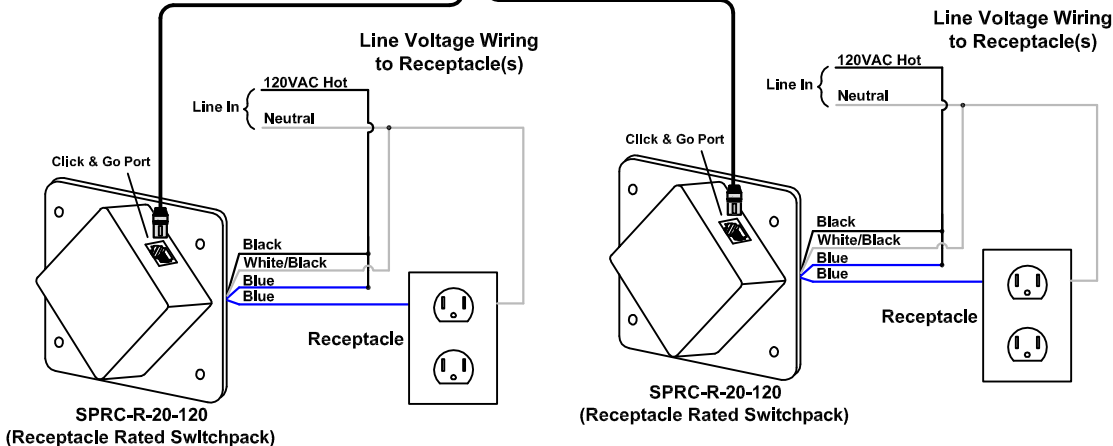


Control Sequence: The Room Controller can control up to five 20A Receptacle Rated Switchpacks based on space occupancy. Receptacle Rated Switchpacks turn On based upon occupancy regardless of light level or state and turn Off 30 seconds after vacancy time out period.

QuickConnect Cable
(Class 2)

GGRC-SPLITTER
(1 to 2 Cable Splitter)

* NOTE: Each cable length not to exceed 100ft. Total length not to exceed 400ft.



Room Controller and Smart Devices use Click & Go technology:
The Room Controller will automatically recognize any smart device connected with the quick connect cable (provided) and start working immediately upon power up with no programming required.
The Room Controller defaults to Manual On/Automatic Off vacancy sensor mode for maximum energy savings. Wallstations buttons can toggle zones or trigger preset scenes and can be mixed within each wallstation.

ROOM CONTROLLER WIRING DIAGRAM

TITLE: LIGHTING CONTROLS
Receptacle Control



THE INFORMATION ON THIS DRAWING IS THE PROPERTY OF EATON CORPORATION. IT IS DISCLOSED IN CONFIDENCE AND IS NOT TO BE REPRODUCED, USED, OR DISCLOSED EXCEPT FOR THE PURPOSE FOR WHICH FURNISHED.

DRAWN: M.A.L.	DATE: 8/16/14	PROJ:				
CH'GD: X.X.	SCALE: NTS					
APPR: X.X.	SHEET: 1/1	DWG #:	E2			
	SIZE:					
			DATE	REV	DESCRIPTION REVISION TABLE	BY