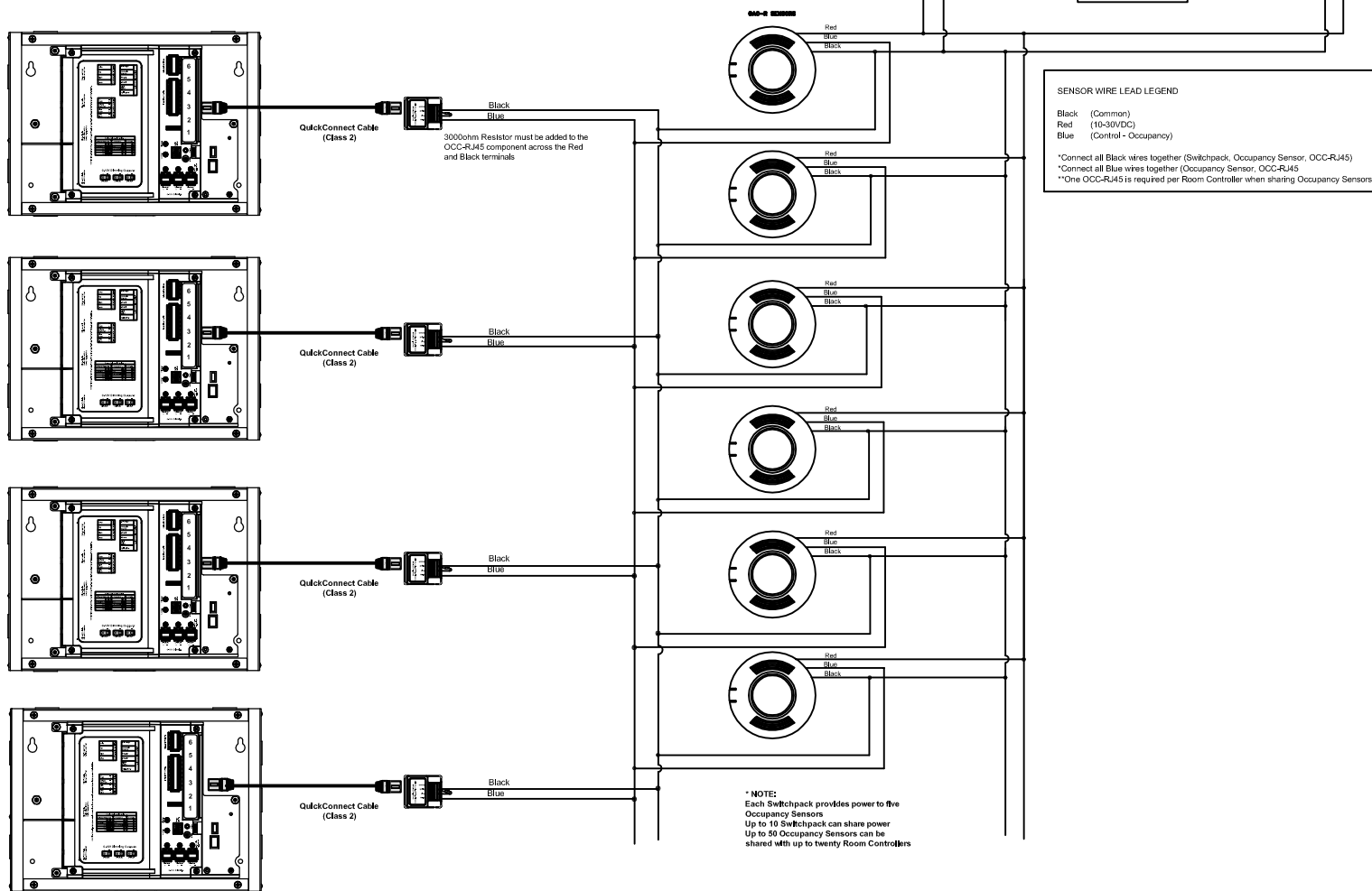



Control Sequence: Large areas may require large number of Occupancy Sensors and Room Controllers. This wiring detail shows how to connect multiple Occupancy Sensors to four Room Controllers.

First Occupancy Sensor ON will command all Room Controllers occupied.
 Last Occupancy Sensor OFF will command all Room Controllers vacant.

Eventhough the Occupancy Sensors are shared each Room Controller can have Independent Daylight Sensors and Wallstations for small control zones.



Room Controller and Smart Devices use Click & Go technology:
 The Room Controller will automatically recognize any smart device connected with the quick connect cable (provided) and start working immediately upon power up with no programming required.
 The Room Controller defaults to Manual On/Automatic Off vacancy sensor mode for maximum energy savings. Wallstations buttons can toggle zones or trigger preset scenes and can be mixed within each wallstation.

<p style="text-align: center;">ROOM CONTROLLER WIRING DIAGRAM</p> <p>TITLE: LIGHTING CONTROLS Multiple Occupancy Sensors</p>			DRAWN: MAL CH'KD: X.X. APPR: X.X. SIZE:	DATE: 8/16/14 SCALE: NTS SHEET: 1/1	PROJ: DWG #: E3	<table border="1" style="width: 100%; border-collapse: collapse;"> <thead> <tr> <th>DATE</th> <th>REV</th> <th>DESCRIPTION</th> <th>REVISION TABLE</th> <th>BY</th> </tr> </thead> <tbody> <tr> <td> </td> <td> </td> <td> </td> <td> </td> <td> </td> </tr> <tr> <td> </td> <td> </td> <td> </td> <td> </td> <td> </td> </tr> <tr> <td> </td> <td> </td> <td> </td> <td> </td> <td> </td> </tr> <tr> <td> </td> <td> </td> <td> </td> <td> </td> <td> </td> </tr> </tbody> </table>					DATE	REV	DESCRIPTION	REVISION TABLE	BY																				
			DATE	REV	DESCRIPTION	REVISION TABLE	BY																												
<p style="text-align: center; font-size: small;">THE INFORMATION ON THIS DRAWING IS THE PROPERTY OF EATON CORPORATION. IT IS DISCLOSED IN CONFIDENCE AND IS NOT TO BE REPRODUCED, USED, OR DISCLOSED EXCEPT FOR THE PURPOSE FOR WHICH FURNISHED.</p>																																			