

The Room Controller QuickKit is shipped complete with all smart devices in a single box, including no programming required technology, making installation simple and fast.

- Complete all-in-one package solution for room based controls
- Simplify room-based controls, specification and delivery
- Ensures compliance with the latest national and state energy codes
- Guarantees design integrity with controls installation



Integrated Capabilities



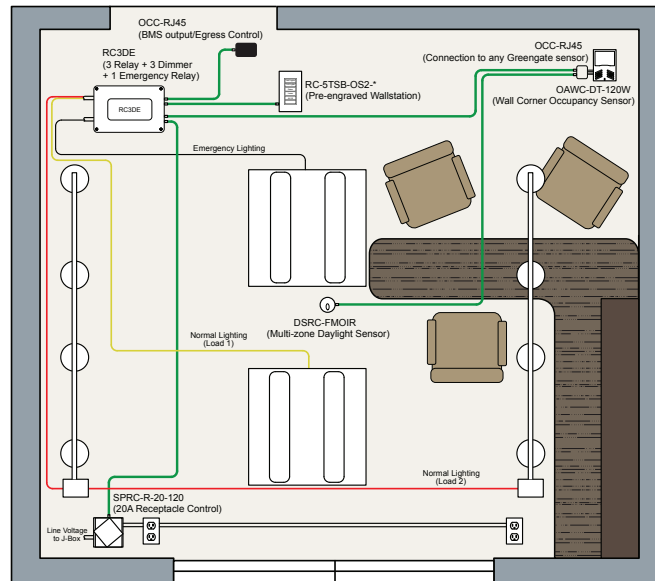
How to specify a QuickKit

1. Select your room type (defines Room Controller)
2. Choose up to four (4) Wallstations
3. Select the required Occupancy Sensor
4. Choose Daylight Sensor options
5. Choose Plug Load or BMS/Egress option
6. Select Wallstation color

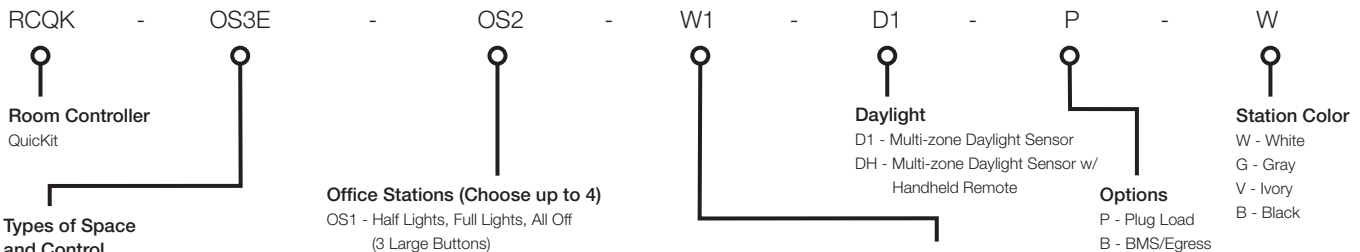
Selecting your room type

- RC3 = 3 relay switching
- RC3D = 3 relay switching + 3 dimmers
- RC3D2 = 3 relay switching + 2 dimmers
- RC3DE = 3 relay switching + 3 dimmers + 1 emergency

Sample Room Controller Office Layout



Ordering

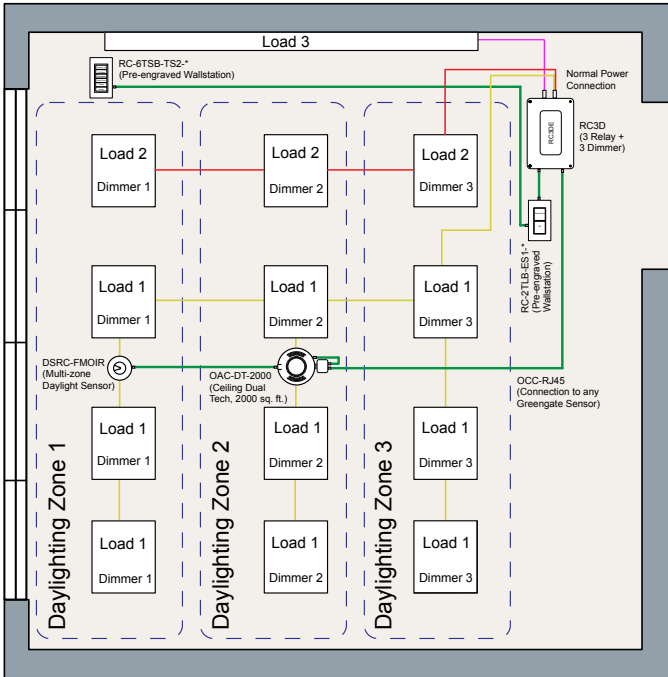


- Occupancy Sensor**
- C1 - Ceiling DT 2000 sq. ft.
 - C2 - Ceiling PIR 1500 sq. ft.
 - C3 - Ceiling DT 1000 sq. ft.
 - W1 - Wall Corner DT
 - W2 - Wall Corner PIR
 - W3 - Hallway PIR
- † These dimming wallstations can only be used with dimming Room Controllers (RC3D, RC3D2, RC3DE)
- †† Slider stations can not be used if a wallstation with Raise/Lower buttons are used

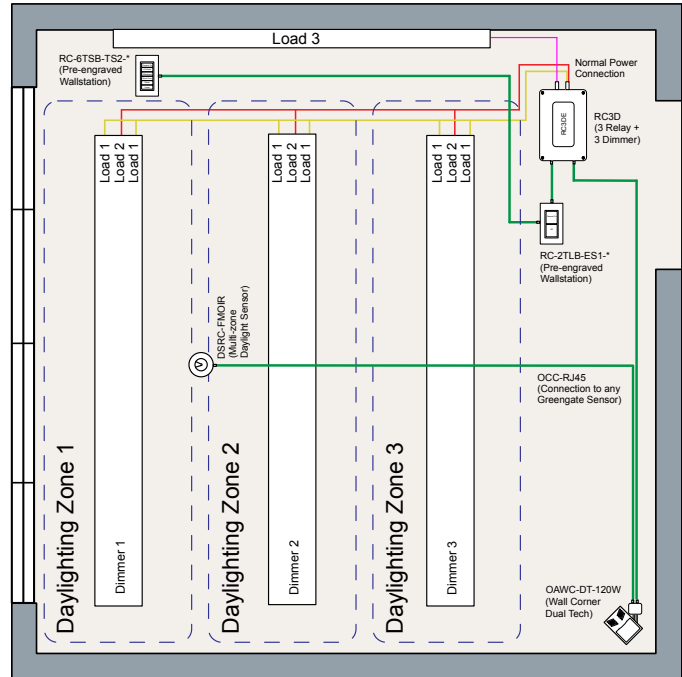
The first lighting control room based system that guarantees design simplification, ensures code compliance, provides single box no programming required installation and is the most cost effective.

- Reduce installation and setup time with smart devices that perform immediately without programming
- Ensure compliance to the strictest energy codes without any interfaces or auxiliary devices
- Pre-packaged systems guarantees design integrity 100% of the time

Sample Recessed Fixture Classroom Layout



Sample Suspended Fixture Classroom Layout



Ordering

RCQK	-	CR3E	-	ES1	-	TS1	-	C1	-	D1	-	P	-	W
Room Controller QuickKit		Teacher Station (Choose up to 3)		Entry Station (Choose 1)		Occupancy Sensor		Daylight		Station Color		Options		
		ES1 - Entry, All Off (2 Large Buttons)		ES1 - Entry, All Off (2 Large Buttons)		C1 - Ceiling DT 2000 sq. ft.		D1 - Multi-zone Daylight Sensor		W - White		P - Plug Load		
		TS1 - General, Whiteboard, Quiet Time, A/V Mode, Raise, Lower † (6 Small Buttons)		TS5 - Entry, General, Whiteboard, All Off (4 Small Buttons)		C2 - Ceiling PIR 1500 sq. ft.		DH - Multi-zone Daylight Sensor w/ Handheld Remote		G - Gray		B - BMS/Egress		
		TS2 - General, Whiteboard, Quiet Time, Raise, Lower, All Off † (6 Small Buttons)		TS6 - Entry, General, Whiteboard, Raise, Lower, All Off † (6 Small Buttons)		C3 - Ceiling DT 1000 sq. ft.				V - Ivory				
		TS3 - General, Whiteboard, Quiet Time, A/V Mode, All Off † (5 Small Buttons)		TS7 - Row 1, Row 2, Row 3, Raise, Lower, All Off † (6 Small Buttons)		W1 - Wall Corner DT				B - Black				
		TS4 - General, Whiteboard, A/V Mode, Raise, Lower, All Off † (6 Small Buttons)		TS8 - Uplights, Downlights, Accent, Raise, Lower, All Off † (6 Small Buttons)		W2 - Wall Corner PIR								
		TS5 - Entry, General, Whiteboard, All Off (4 Small Buttons)		SS1 - Slider Station ††		W3 - Hallway PIR								
		TS6 - Entry, General, Whiteboard, Raise, Lower, All Off † (6 Small Buttons)												
		TS7 - Row 1, Row 2, Row 3, Raise, Lower, All Off † (6 Small Buttons)												
		TS8 - Uplights, Downlights, Accent, Raise, Lower, All Off † (6 Small Buttons)												
		SS1 - Slider Station ††												

† These dimming wallstations can only be used with dimming Room Controllers (RC3D, RC3D2, RC3DE)

†† Slider stations can not be used if a wallstation with Raise/Lower buttons are used

Wallstation Sequence of Operations

The Room Controller wallstations are pre-labeled and preconfigured for their intended function. They work as soon as they are connected to the Room Controller. Below is a description of the functions of each wallstation button for office, classroom and conference room configurations. Each button is assigned to a specific program number for how that button should operate. Program numbers may be used for several buttons that accomplish the same goal but may have different engraving.

Office Application Button Functionality

Program No.	Button Text	Control Type	Function (Unless a target level is indicated, the dimmer output will default to daylight sensor control)
9	Half Lights	Preset	Load 1 (yellow) ON, Load 2 (red) OFF All Dimmers 50% Solatube Open (RC3DE only)
10	Full Lights	Preset	Load 1 (yellow) ON, Load 2 (red) ON All Dimmers 100%
11	Undercabinet	Toggle	Load 3 (purple) ON and OFF
6	Raise	Raise	Raise All Dimmers
7	Lower	Lower	Lower All Dimmers*
16	All On	Preset	Load 1 (yellow) ON, Load 2 (red) ON, Load 3 (purple) ON All Dimmers 100%
8	All Off	Preset	Load 1 (yellow) OFF, Load 2 (red) OFF, Load 3 (purple) OFF Solatube Closed (RC3DE only)
Slider		Slider	Raise and Lower All Dimmers

Conference Room Application Button Functionality

Program No.	Button Text	Control Type	Function (Unless a target level is indicated, the dimmer output will default to daylight sensor control)
12	General	Preset	Load 1 (yellow) ON, Load 2 (red) ON, Load 3 (purple) ON Dimmer 1: 100%, Dimmer 2 80%, Dimmer 3 80% Solatube Open (RC3DE only)
13	Meeting	Preset	Load 1 (yellow) ON, Load 2 (red) ON, Load 3 (purple) ON Dimmer 1: 80%, Dimmer 2 20%, Dimmer 3 100% Solatube Open (RC3DE only)
14	Whiteboard	Preset	Load 1 (yellow) ON, Load 2 (red) ON, Load 3 (purple) ON Dimmer 1: 50%, Dimmer 2: 100%, Dimmer 3: 50% Solatube Closed (RC3DE only)
15	Presentation	Preset	Load 1 (yellow) ON, Load 2 (red) ON, Load 3 (purple) ON Dimmer 1: 30%, Dimmer 2: 0%, Dimmer 3: 25% Solatube Closed (RC3DE only)
6	Raise	Raise	Raise All Dimmers*
7	Lower	Lower	Lower All Dimmers*
16	All On	Preset	Load 1 (yellow) ON, Load 2 (red) ON, Load 3 (purple) ON All Dimmers 100%
8	All Off	Preset	Load 1 (yellow) OFF, Load 2 (red) OFF, Load 3 (purple) OFF Solatube Closed (RC3DE only)
Slider		Slider	Raise and Lower All Dimmers

Classroom Application Button Functionality

Program No.	Button Text	Control Type	Function (Unless a target level is indicated, the dimmer output will default to daylight sensor control)
1	Entry Row 1 Uplights	Toggle	Load 1 (yellow) ON and OFF Solatube Open (RC3DE only)
2	General Row 2 Downlights	Toggle	Load 2 (red) ON and OFF
3	Whiteboard Row 3 Accent	Toggle	Load 3 (purple) ON and OFF
4	A/V Mode	Toggle	Toggles between A/V Mode and Normal Mode. In A/V Mode relays will stay in their previous configuration. Dimmers will be reduced to maintain light levels at 20%
5	Quiet Time	Toggle	Disables occupancy sensors and wallstation timers for 60 minutes. Toggle allows for re-enabling of Normal Mode prior to the time expiring.
6	Raise	Raise	Raise All Dimmers*
7	Lower	Lower	Lower All Dimmers*
8	All Off		Load 1 (yellow) OFF, Load 2 (red) OFF, Load 3 (purple) OFF Solatube Close (RC3DE only)
Slider		Slider	Raise and Lower All Dimmers

Automatic Integrated Capabilities

	Occupancy Sensor Mode	Vacancy Sensor Mode
Load 1	Auto On/Auto Off	Manual On/Auto Off
Load 2	Manual Auto On/Auto Off	Manual On/Auto Off
Load 3	Manual Auto On/Auto Off	Manual On/Auto Off
Receptacle Control	On with Occupancy Off with Vacancy	On with Occupancy Off with Vacancy
Solatube	Open Load 1 On Close Vacancy, All Off, A/V Mode	Open Load 1 On Close Vacancy, All Off, A/V Mode
BMS/Egress Output	Close on Occupancy Open on Vacancy	Close on Occupancy Open on Vacancy

Refer to Room Controller website for more information on other integral no programming required benefits like Demand Response, Solatube Control, Egress Control, BMS Output, Alert Mode, Emergency Lighting Control, and Slider Stations.