

Cam-Lok™ F Series Connectors are specifically designed to meet the needs of harsh industrial welding applications. F Series Plugs and Receptacles offer superior reliability and safety while reducing downtime.

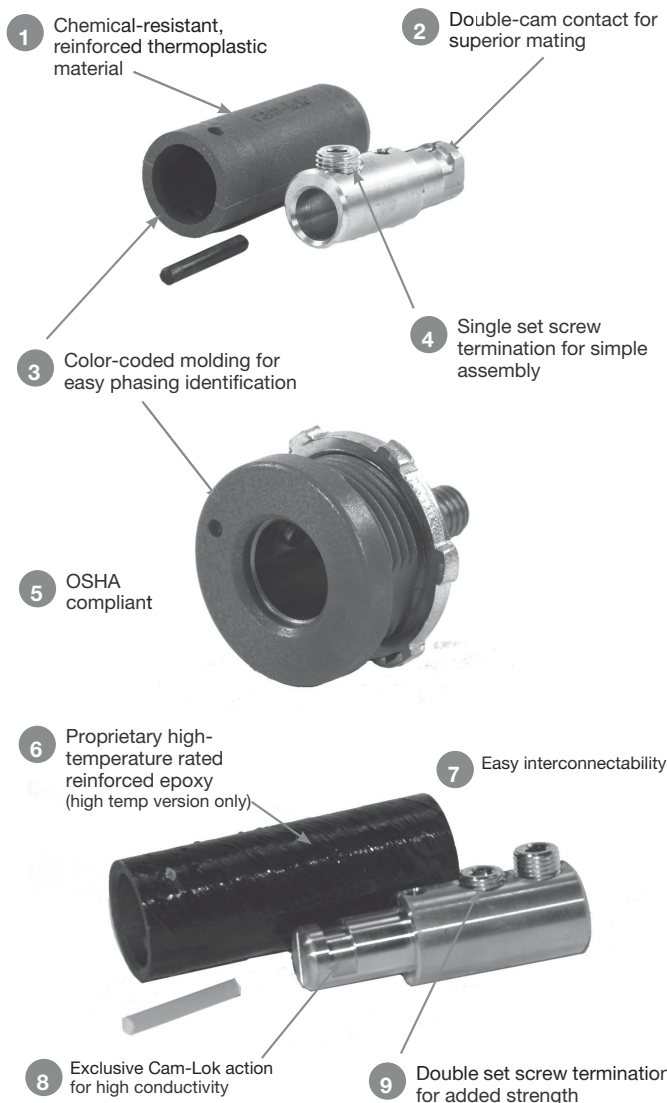
Applications:

- F Series Plugs and Receptacles are specifically designed for industrial applications where electrical equipment is exposed to harsh environments
- Ideal for welding equipment, power distribution panels, patch panels, and heat tracing applications, and are insulated for safety with reinforced thermoplastic or epoxy, or watertight elastomeric

Certifications and Compliances:

- Meets OSHA requirements for welding connectors
- Meets NEC® Code requirements for listed connectors that are of the locking type

Features:



Environmental Rating:

- NEMA 3

Standard Materials:

- Accepts cable sizes: #8 AWG - 4 / 0
- Insulator - reinforced thermoplastic (E1010, E1012); reinforced epoxy (E1012 high temperature); elastomeric (E1012 only)
- Contact - brass or silver-plated brass

Electrical Ratings:

- 120 Volts AC
- Up to 315 Amps continuous, 550 Amps intermittent

Temperature Ratings:

- Standard: up to 105°C
- High temperature: up to 180°C (365°F)

11P

Cam-Lok™ F Series E1012 Plugs

11P

**Cable Size #2 AWG - 4 / 0
120VAC**

Up to 315A Continuous, 550A Intermittent

F Series E1012, Reinforced Thermoplastic

Features:

- Double cam principle provides a positive, vibration-proof connection
- Self-compensating for wear
- No moving contact surfaces, eliminating arcing or burning
- Superior electro-mechanical connections
- Locked contacts will withstand a pulling force of 1,000 lbs.
- 1/3 of a turn assures a high pressure contact approaching 600 lbs. per sq. in., providing minimum resistance
- Contacts carefully machined from a high conductivity brass to a smooth sliding fit and easy locking action
- Thermoplastic insulators molded from colorfast material, color-coded for easy identification
- Accepts a wide range of cable sizes

Testing and Code Compliance:

- OSHA compliant

Material Characteristics:

- Insulator - reinforced thermoplastic
- Temperature rating: -40°C to 105°C

Ordering Information - Set Screw Plugs:



E1012-66

Cable Size	Color	Set Screw Male Plugs		Set Screw Female Plugs		
		Complete Cat. #	Insulator Cat. #	Complete Cat. #	Insulator Cat. #	Retaining Pin Cat. #
#2 - 1 / 0	Red	E1012-61	201281-612RM	N/A	N/A	100091-4
#2 - 1 / 0	Black	E1012-62	201281-612BM	N/A	N/A	100091-4
1 / 0 - 3 / 0	Red	E1012-63	201281-712RM	E1012-71	201281-712RF	100091-5
1 / 0 - 3 / 0	Black	E1012-64	201281-712BM	E1012-72	201281-712BF	100091-5
3 / 0 - 4 / 0	Red	E1012-65	201281-812RM	E1012-73	201281-812RF	100091-6
3 / 0 - 4 / 0	Black	E1012-66	201281-812BM	E1012-74	201281-812BF	100091-6

Ordering Information - Solder Plugs:

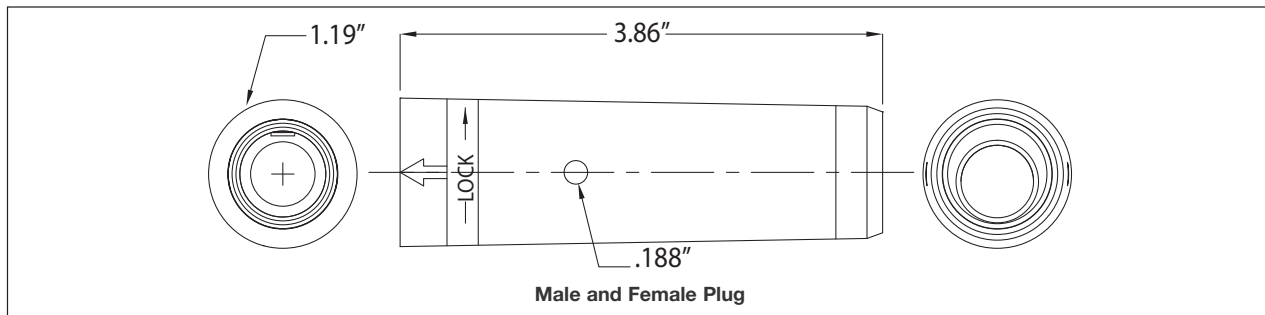


E1012-71

Cable Size	Color	Solder Male Plugs		Solder Female Plugs		
		Complete Cat. #	Insulator Cat. #	Complete Cat. #	Insulator Cat. #	Retaining Pin Cat. #
#2 - 1 / 0	Red	E1012-101	201281-612RM	N/A	N/A	100091-4
#2 - 1 / 0	Black	E1012-102	201281-612BM	N/A	N/A </td <td>100091-4</td>	100091-4
1 / 0 - 3 / 0	Red	E1012-103	201281-712RM	E1012-111	201281-712RF	100091-5
1 / 0 - 3 / 0	Black	E1012-104	201281-712BM	E1012-112	201281-712BF	100091-5
3 / 0 - 4 / 0	Red	E1012-105	201281-812RM	E1012-113	201281-812RF	100091-6
3 / 0 - 4 / 0	Black	E1012-106	201281-812BM	E1012-114	201281-812BF	100091-6

To order single packaged products, add a "K" suffix to the complete catalog number.

Dimensions:



11P

11P Cam-Lok™ F Series E1012 Plugs

Cable Size #2 AWG - 4 / 0
120VAC
Up to 315A Continuous, 550A Intermittent

F Series E1012, Elastomeric

Features:

- Double cam principle provides a positive, vibration-proof connection
- Self-compensating for wear
- No moving contact surfaces, eliminating arcing or burning
- Superior electro-mechanical connections
- Locked contacts will withstand a pulling force of 1,000 lbs.
- 1/3 of a turn assures a high pressure contact approaching 600 lbs. per sq. in., providing minimum resistance
- Contacts carefully machined from a high conductivity brass to a smooth sliding fit and easy locking action
- Watertight elastomeric insulators molded from colorfast material, color-coded for easy identification
- Accepts a wide range of cable sizes

Testing and Code Compliance:

- OSHA compliant

Material Characteristics:

- Insulator - TPE
- Temperature rating: -40°C to 105°C

Ordering Information - Single Set Screw Plugs:



E1012-8350

Single Set Screw Male Plugs

Cable Size	Color	Complete Cat. #	Contact Cat. #	Insulator Cat. #
#2 - 2 / 0	Black	E1012-8300	A200081-1	A200068-19
#2 - 2 / 0	Red	E1012-8302	A200081-1	A200068-21
2 / 0 - 4 / 0	Black	E1012-8312	A200080-1	A200068-13
2 / 0 - 4 / 0	Red	E1012-8314	A200080-1	A200068-15

Single Set Screw Female Plugs

Complete Cat. #	Contact Cat. #	Insulator Cat. #
E1012-8325	A200067-1	A200069-19
E1012-8327	A200067-1	A200069-21
E1012-8337	A200066-1	A200069-13
E1012-8339	A200066-1	A200069-15

Ordering Information - Double Set Screw Plugs:



E1012-8377

Double Set Screw Male Plugs

Cable Size	Color	Complete Cat. #	Contact Cat. #	Insulator Cat. #
#2 - 2 / 0	Black	E1012-8350	A200643-1	A200068-19
#2 - 2 / 0	Red	E1012-8352	A200643-1	A200068-21
2 / 0 - 4 / 0	Black	E1012-8362	A200644-1	A200068-13
2 / 0 - 4 / 0	Red	E1012-8364	A200644-1	A200068-15

Double Set Screw Female Plugs

Complete Cat. #	Contact Cat. #	Insulator Cat. #
E1012-8375	A200640-1	A200069-19
E1012-8377	A200640-1	A200069-21
E1012-8387	A200642-1	A200069-13
E1012-8389	A200642-1	A200069-15

Ordering Information - Crimp or Solder Plugs:

Crimp or Solder Male Plugs

Cable Size	Color	Complete Cat. #	Contact Cat. #	Insulator Cat. #
#2 - #1	Black	E1012-8006	A200036-30	A200068-19
#2 - #1	Red	E1012-8008	A200036-30	A200068-21
1 / 0 - 2 / 0	Black	E1012-8012	A200036-31	A200068-19
1 / 0 - 2 / 0	Red	E1012-8014	A200036-31	A200068-21
3 / 0 - 4 / 0	Black	E1012-8030	A200038-30	A200068-13
3 / 0 - 4 / 0	Red	E1012-8032	A200038-30	A200068-15

Crimp or Solder Female Plugs

Complete Cat. #	Contact Cat. #	Insulator Cat. #
E1012-8056	A200037-35	A200069-19
E1012-8058	A200037-35	A200069-21
E1012-8062	A200037-36	A200069-19
E1012-8064	A200037-35	A200069-21
E1012-8080	A200035-53	A200069-13
E1012-8082	A200035-53	A200069-15

To order single packaged products, add a "K" suffix to the complete catalog number.

Dimensions:

