

WC

Wind Cone

Compliances:

FAA AC 150/5345-27: L-806 & L-807
 NASAO Guidelines



Applications

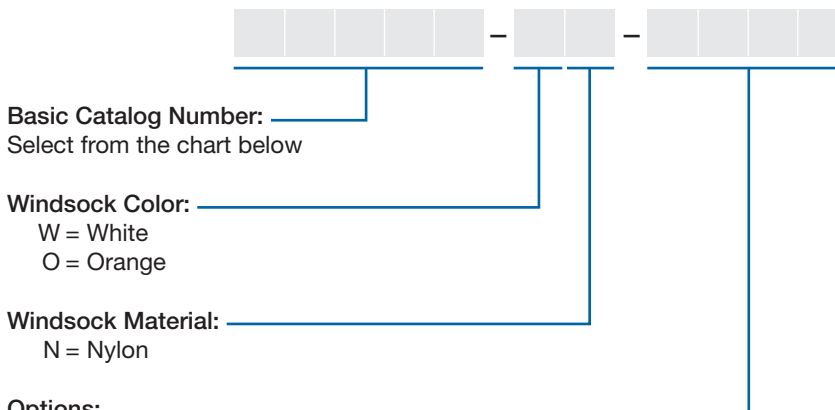
A wind cone visually indicates prevailing wind direction at a particular location on an airfield or heliport. FAA Size 2 wind cones are used for airports at a central position on the airfield. FAA Size 1 rigid wind cones are installed at small airfields and heliports. FAA Size 1 frangible wind cones are called “supplemental wind cones” as they are installed in addition to the main wind cone adjacent to each runway touchdown zone to indicate local wind conditions. Wind cones are commonly supplied with a single obstruction light and four floodlights to illuminate the windsock.

The customer may select lighting, windsock color, and windsock material without affecting FAA approval. Rigid wind cones use hinged poles which allow the top windsock and lighting assembly to be lowered for servicing.

- ETL Certified



Ordering Information



- RF = Reflector Floodlights on 3 ft. arms.
- S302 = Lighting powered by 6.6A series circuit.***
 Includes lamps and connector kit. (Not for -RF version.)
 Order 300W isolation transformer separately.
- W = Winch for lowering hinged pole (L-807 only).

Wind Cone Selection Chart

Basic Catalog Number*	FAA Approval	FAA Size**	Rigid	Frangible	Obstruction Light	Floodlights (4)	Windsock	
			Hinged Pole	Breakable Pole			Length (ft.)	Diameter (in.)
48310	L-807	2	X		X	X	12	36
48311	L-807	2	X				12	36
48312	L-807	2	X		X		12	36
48313	L-807	2	X			X	12	36
44481	L-807	1	X		X	X	8	18
44482	L-807	1	X				8	18
44483	L-807	1	X		X		8	18
44484	L-807	1	X			X	8	18
71043	L-806	1		X	X	X	8	18
71044	L-806	1		X			8	18

* An “X” on the chart denotes a feature of that catalog number wind cone. Order lamps separately.

** Size 1 = 8 ft. (2.4 m.) long windsock (WC-18) Size 2 = 12 ft. (3.7 m.) long windsock (WC-36)

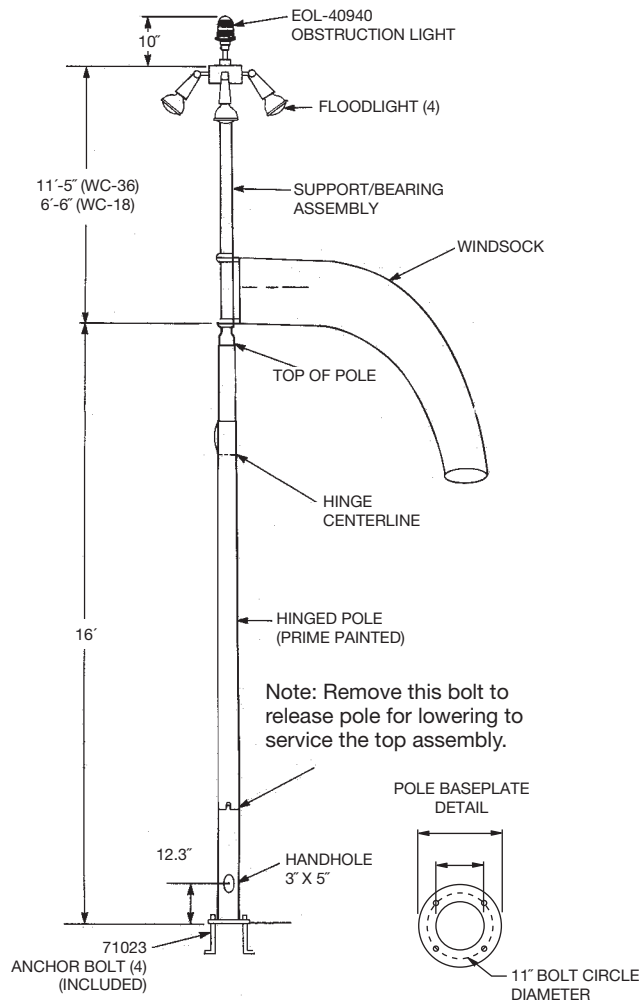
*** S302 Option Wind Cone is not ETL Certified.

Application Notes

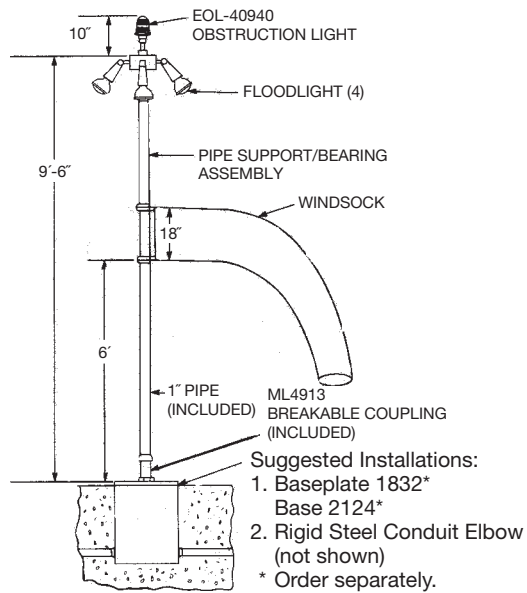
- The voltage may be 120 or 220-240 if the proper voltage lamps are used. All lamps have medium screw (E27) bases. Order lamps separately.
- For connection to a series circuit, order option S302 and an isolation transformer or order the standard wind cone and a power adapter. The transformer or adapter may be directly buried or installed in an L-867 base with coverplate.
- Anchor bolts should extend 4 inches above grade.
- The Size 1 and Size 2 wind cone hinged poles are identical except for the tenon diameter.

Installation Drawings

Rigid Installation
Size 1 (WC-18) & Size 2 (WC-36)



Frangible Installation
Size 1 (WC-18)



Dimensions:	Feet-Inches		
Instruction Manuals:	9553 Size 2 Rigid 9554 Size 1 Rigid 8512 Size 1 Frangible		
Shipping Weight:	4831X 510 lbs. 232 kg.	4448X 450 lbs. 205 kg.	7104X 250 lbs. 114 kg.
Shipping Volume:	40 cu.ft. 1.13 cu.m.	40 cu.ft. 1.13 cu.m.	30 cu.ft. 0.85 cu.m.

Renewal Parts

Description	Part Number	Description	Part Number
Lamp 116W, 120V	10047-2993	Slipfitter (Rigid)	FL579
Lamp 116W, 220-240V	10047-2145	Support/Bearing Assembly (Rigid)	ML364B
Lamp 150W, PAR-38, 220/230V	10047-2942	Winch	HSSLDW
Lamp 250W, 120V, PAR-38	10047-2882	Windsock - Orange Nylon 8 ft.	71073-ON
Lamp 45W, 6.6A, PAR-38 (-S302 option)	10047-2167	Windsock - White Nylon 8 ft.	71073-WN
FAA Size 1 (WC-18) Only			
Anchor Bolt 0.75" x 28" (5" Threaded)	71023	FAA Size 2 (WC-36) Only	
Bearing (Rigid)	0504611-1	Bearing	KL8097A
Breakable Coupling (Frangible)	1806-64	Bicolor Red & White Wind Sock (Size 2 only)	71046-BN
Complete 44481 less Hinged Pole	44036	Complete 48310 less Hinged Pole	44621A
Complete 44482 less Hinged Pole	44478	Hinged Pole	71048-36
Complete 44483 less Hinged Pole	44479	Slipfitter 3" Diameter	FL623
Complete 44484 less Hinged Pole	44480	Support/Bearing Assembly	KL7897
EOL Obstruction Light	40940	Windsock - Orange Nylon 12 ft.	71045-ON
Floodlight (4) Assembly (-RF option)	KL8096A	Windsock - White Nylon 12 ft.	71045-WN
Hinged Pole (Rigid)	71048-18		
Lampholder PAR 38	10047-2215		
Pipe Support/Bearing Assembly (Frangible)	600696		
Red Globe	50026		
Reflector (-RF option)	0501413-4		

