

# TRANS

## Series Isolation Transformers

Compliances:

- FAA AC 150/5345-47: L-830 & L-831
- ICAO Design Manual, Part 5
- UFC 3-535-01
- NAVAIR 51-50AAA-2



### Applications

Isolation transformers are used in series airfield and highway lighting circuits to electrically isolate the lighting fixture from the medium voltage usually present. Specialty transformers are also available for non-standard applications. The transformers are totally encapsulated in Santoprene® and, when applied with proper connections, are suitable for direct burial in the soil.

### Features



- ETL Certified
- Military Transformers comply with MIL-T-27535
- Totally Encapsulated
- Primary Leads (2) with plug and receptacle
- Secondary Lead (1) with two wire receptacle
- Suitable for 50 to 60 cycle applications except as noted
- For a grounded core and secondary, add (-GRS) to the catalog number. (Contact Crouse-Hinds for suitability and availability of this option.)

### Ordering Information

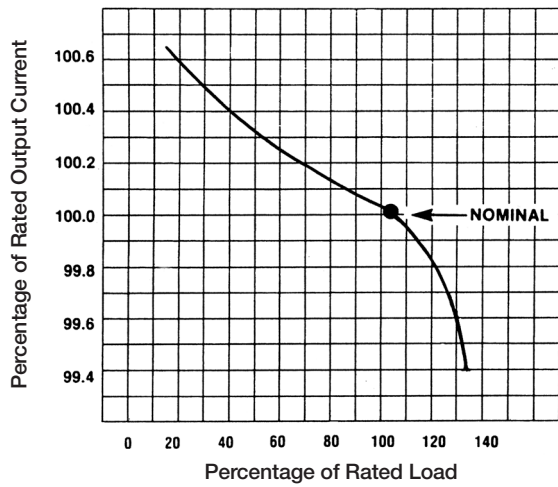
Catalog Number	Nominal Wattage	Primary Rating	Secondary Rating	Specification
<b>FAA Isolation Transformers</b>				
33001	30/45	6.6A	6.6A	FAA
33002	30/45	20A	6.6A	FAA
33003	65	6.6A	6.6A	FAA
33004	100	6.6A	6.6A	FAA
33005	100	20A	6.6A	FAA
33006	200	6.6A	6.6A	FAA
33007	200	20A	6.6A	FAA
33008	300	6.6A	20A	FAA
33009	300	20A	20A	FAA
33010	300	6.6A	6.6A	FAA
33011	300	20A	6.6A	FAA
<b>Military** and Specialty Transformers</b>				
33001-2	30/45	6.6A	6.6A	MS 27289-1
33101	100	5.5A	6.2A	
33102	200	5.5A	6.2A	
33103	300	5.5A	6.2A	
33125	65	120V	9V	*
33150	150	6.6A	6.6A	
33151	150	240V	22.7V	
33200	200	240V	33.3V	FAA MALS
33215	115	240V	17.4V	*
33226	200	20A	6.6A	MS 27286-1
33266	200	6.6A	6.6A	MS 27288-1
33322-3	300	20A	20A	MS 27305-1
33366-1	300	6.6A	6.6A	MS 27134-1
33522	500	20A	20A	MS 27302-1
33154	400	6.6A	6.6A	
33001CGRS	30/45	6.6A	6.6A	Canada
33004CGRS	100	6.6A	6.6A	Canada
33006CGRS	200	6.6A	6.6A	Canada

\* 60 cycle applications only.

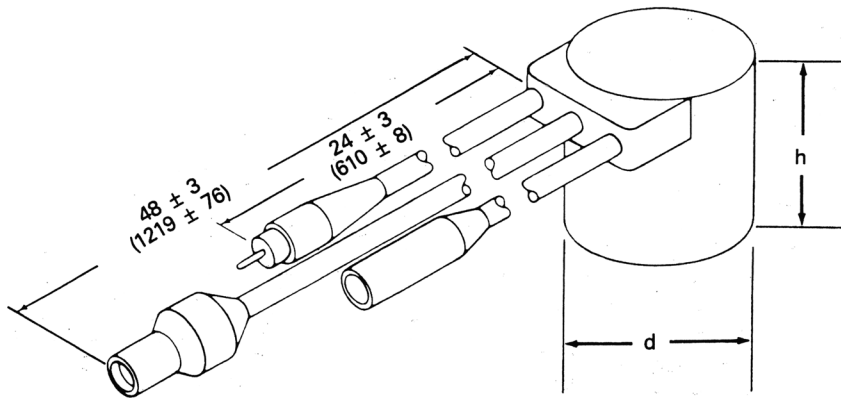
\*\* FAA transformers are acceptable for military applications unless specified to the contrary in a contract's specifications.

# Technical Data

## Typical Transformer Performance Data



Isolation transformers are designed to operate within the specification for loads  $\pm 25\%$  of the nominal rating. Consult Crouse-Hinds for applications outside that range.



Dimensions:

inches  
(mm)

Rated Wattage	Dimensions		Shipping Weight		Shipping Volume	
	d	h	lbs.	kg.	cu. ft.	cu. m.
30/45	4.2(107)	3.8(97)	5.2	2.36	0.3	0.009
65	4.2(107)	3.8(97)	5.3	2.40	0.3	0.009
100	5.3(135)	3.8(97)	8.6	3.90	0.3	0.009
200	5.3(135)	3.8(97)	8.9	4.04	0.3	0.009
300 (6.6A)	6.3(160)	3.8(97)	15.0	6.80	0.7	0.019
300 (20A)	7.1(180)	3.8(97)	17.2	7.80	0.7	0.019
500	7.1(180)	3.8(97)	17.3	7.85	0.7	0.019

