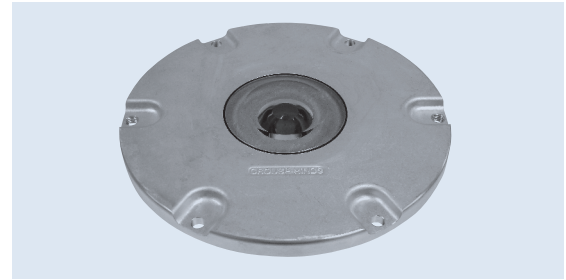


## PRO III™ TOL

### Omnidirectional Taxiway Light

Compliances:

- FAA AC 150/5345-46: L-852T & E
- ICAO Annex 14
- UFC 3-535-01
- IEC 97/98A/DTS



### Applications

The TOL is an inset taxiway edge and taxiway intersection fixture. The TOL is intended for use on a 6.6A constant current circuit through an L-830 isolation transformer.

### Features



- ETL Certified
- Low profile, <.25" (6 mm) – FAA Style 3
- High-strength aluminum optical assembly
- Easy to maintain – no sealant required for prism or feed-through assembly replacement
- Pressure test plug for seal integrity verification
- It is recommended that caution be used during snowplow operations. Use of a rubber tipped blade is recommended. Fixture is not warranted against snowplow damage.

### Ordering Information



Fixture Type: \_\_\_\_\_

Color: \_\_\_\_\_

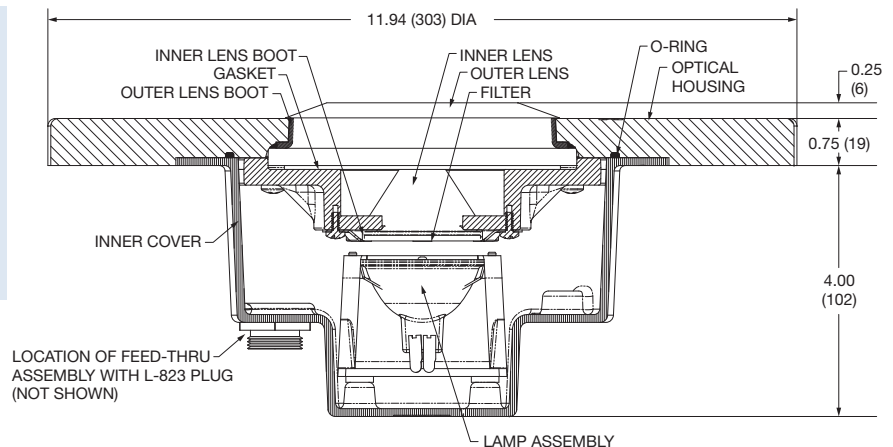
- T = Taxiway Edge (Omni-Directional Blue)
- E = Taxiway Intersection (Omni-Directional Yellow)

Fixture Diameter: \_\_\_\_\_

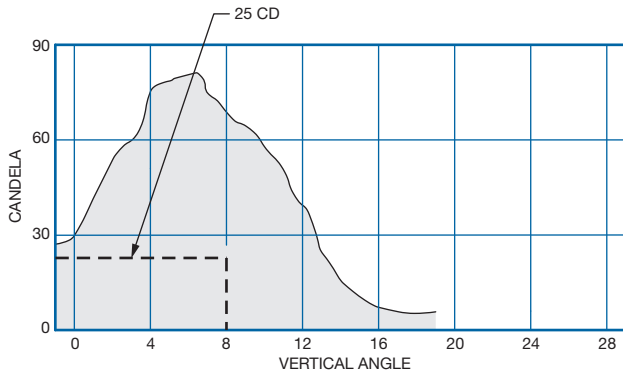
- 008 = 8" Fixture with mounting bolt pattern per IEC specifications
- 12A = 12" Fixture with 11.25" mounting BC
- 12B = 12" Fixture with 10.25" mounting BC

### Outline Drawing

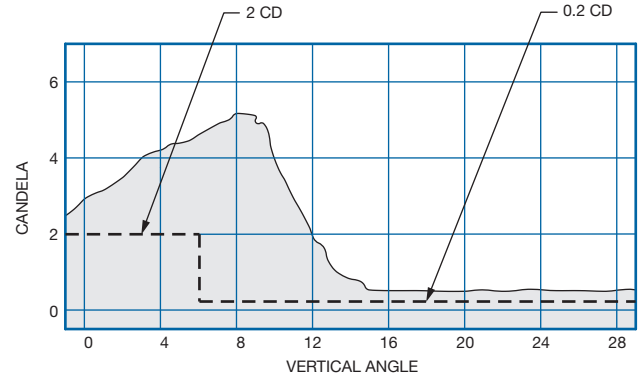
Dimensions:	inches (mm)
Instruction Manual:	2528
Shipping Weight:	10.5 lbs 4.8 kg
Shipping Volume:	0.7 cu ft 0.02 m <sup>3</sup>



## Typical Photometric Data



L-852E Taxiway Intersection Light



L-852T Taxiway Edge Light

## Accessories

Catalog Number	Item Description	Catalog Number	Item Description
AC24242H200303	Base: L868B, Class 1, 24" Deep	823KP-D4-D4	Connector Kit – L823, 8 AWG
AC21242H200301	Base: L867B, Class 1, 24" Deep	10047-2154	Heat Shrink Kit – 1 Piece
33001	Isolation Transformer – 30/45W, 6.6/6.6 A	10047-1425	Heat Shrink Kit – 2 Piece
21431	8" Diameter Shallow Base – Aluminum		
21238	12" Diameter Shallow Base – Aluminum		

## Renewal Parts

Part Number	Description	Part Number	Description
21116	Lamp – 48W, 6.6A	10048-25	Gasket Lubricant – 5.3 oz. Container
21265	Bottom Cover Assembly	21122	Feed Through Assembly – 1 Lamp, 1 Connector
21335*	Lamp Replacement Kit	21332**	Outer Lens Replacement Kit
21257	Inner Lens Boot	21255	Inner Lens
21285-Y	Absorption Filter – Aviation Yellow	10035-62	3/32" O-Ring, 6.25" I.D.
21285-B	Absorption Filter – Aviation Blue		

\* Includes 20356 Rubber Grommet, 19143-2 Spacer, 21116 Lamp, 21294 Locking Spring and 21263 Bracket.

\*\* Includes 21258 Gasket, 21256 Lens Boot and 21254 Outer Lens.

