

SIB-8

Shallow Inset Light Base 8" Aluminum - ICAO



Applications

The SIB is a load-bearing light base designed for direct mounting of 203mm (8") inset light fixtures.

Features

- Anodized cast aluminum construction
- Vertical casting recesses prevent rotation in pavement when set into epoxy.
- Secondary plug(s) inside the base for ease of maintenance and light fixture removal
- Mechanical feed-thru with watertight seal
- Includes plywood cover used during installation process and re-usable mounting hardware

Accessory

P/N 87106-1 Installation Fixture, metric mounting holes
P/N 87106-2 Installation Fixture, ANSI mounting holes

Ordering Information

Fixture Type:

- 21378 = TCLI/TOL-008, metric mounting hardware, below grade
- 21388 = RCLI/TDZI Runway, metric mounting hardware, flush to grade
- 21390 = TCLI/TOL-008, metric mounting hardware, flush to grade
- 21431 = TOL-008, ANSI hardware, below grade
- 87103 = TCLI, 8" Taxiway centerline, flush to grade

Connection Type:

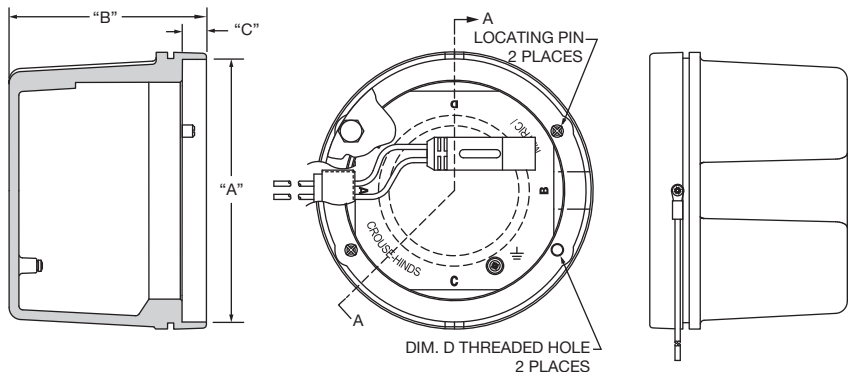
- 1 = One feed-thru (2 conductors) entry at location "A" in Base side
- 2 = Two feed-thru (4 conductors) entry at location "A" & "B" in Base side
- 3 = Bottom entry thru 3.94 DIA (100mm) in casting center
- 4 = Bottom entry thru 4.57 DIA (116mm) in casting center, no internal
- 5 = No feed-thru or bottom entry hole (21390 only)

Option:

GE = Ground, External

Outline Drawing

| | |
|------------------|-----------------------------------|
| Dimensions: | inches (mm) |
| Shipping Weight: | 9.0 lbs 4.1 kg |
| Shipping Volume: | 1.0 cu ft 0.028 m ³ |



| Basic Catalog Number | Instruction Manual | Dim. A | Dim. B | Dim. C | Dim. D | Fixture Reference |
|----------------------|--------------------|--------------|--------------|-------------|------------|-------------------|
| 21378 | 2633 | 8.03 (203.9) | 5.91 (150.0) | 0.63 (16.0) | M10 | TCLI/TOL-008 |
| 21388 | 2712 | 8.03 (203.9) | 5.94 (150.9) | 0.53 (13.5) | M10 | RCLI/TDZI |
| 21390 | 2713 | 8.03 (203.9) | 6.00 (152.5) | 0.74 (18.7) | M10 | TCLI/TOL-008 |
| 21431 | 2730 | 8.03 (203.9) | 5.91 (150.0) | 0.63 (16.0) | 3/8-16 UNC | TOL-008 |
| 87103 | 2646 | 8.03 (203.9) | 5.91 (150.0) | 0.63 (16.0) | M10 | TCLI |

