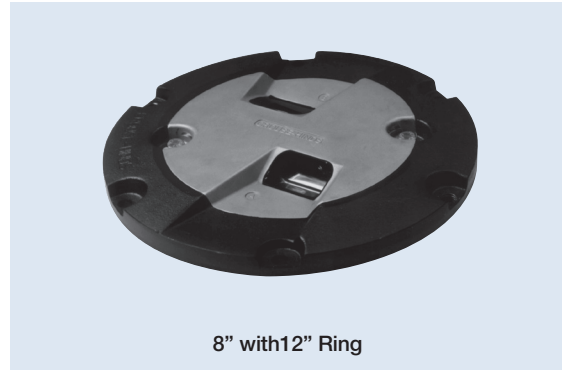


PRO III™ RCL/TDZ 8"

Runway Centerline Light or Touchdown Zone Light

Compliances:

- FAA AC 150/5345-46: L-850A; L-850B
- ICAO Annex 14: Fig. A2-5 and A2-7
- USN NAVAIR 51-50AAA-2
- Transport Canada Specification K 271: Fig B5 and B8
- UFC 3-535-01



Applications

The RCL/TDZ light does double duty as a runway centerline light and touchdown zone light. The RCL is a bidirectional light, typically clear/clear or clear/red, with two 48 W lamps. The TDZ is a clear unidirectional light, with a 48 W lamp. RCL / TDZ may be used for any category FAA, ICAO, or military runway.

Features



- ETL Certified
- Low Profile, < .25" (6mm) – FAA Style 3
- Unique combination of high-strength aluminum optical assembly and ductile iron outer ring for Snow Plow Protection
- Low Power Consumption
- Few Parts to Stock
- Beam Orientation can be easily changed to left or right toe-in
- Easy to maintain – no sealant required for prism or feed-through assembly replacement
- Pressure test plug for seal integrity verification
- Long Lamp Life – Quartz Halogen, 48 W

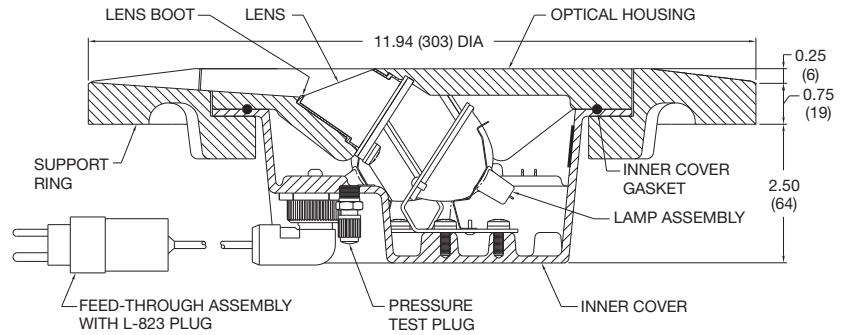
Ordering Information

	8	5	0	3	-	-	-	-	-
<p>Fixture Type:</p> <ul style="list-style-type: none"> A = Runway centerline light B = Touchdown zone light 									
<p>Color Filters:</p> <ul style="list-style-type: none"> CC = Clear/Clear (L-850A) CR = Clear/Red (L-850A) RX = Red/Blank (L-850A) C = Clear (L-850B) CX = Clear/Blank 									
<p>Fixture Diameter:</p> <ul style="list-style-type: none"> 12F = Optical assembly with 12" FAA support ring NSR = Optical assembly without support ring 									
<p>L-823 Plug Connection:</p> <ul style="list-style-type: none"> P1 = One plug P2 = Two plugs (L-850A only) 									
<p>Beam Orientation (L-850B only):</p> <ul style="list-style-type: none"> L = Left Toe-in R = Right Toe-in S = Straight 									
<p>Option:</p> <ul style="list-style-type: none"> G = External gasket between optical assembly and support ring* 									

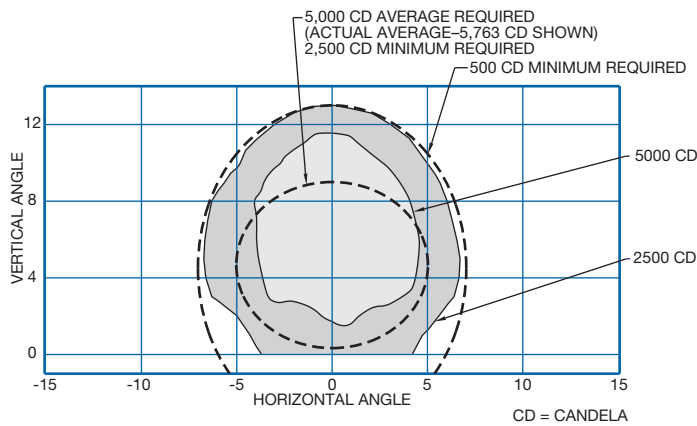
* Optical assemblies with this option only fit support rings marked "G" on top surface.

Outline Drawings

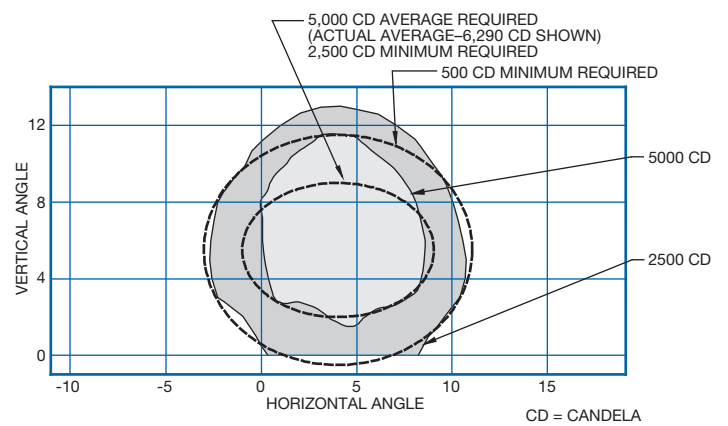
Dimensions:	inches (mm)
Instruction Manual:	9913
Shipping Weight:	23.0 lbs 10.4 kg
Shipping Volume:	0.7 cu ft 0.02 m ³



Typical Photometric Data



L-850A Runway Centerline Light



L-850B Touchdown Zone Light

Accessories

Catalog Number	Item Description	Catalog Number	Item Description
AC24242H200303	Base: L-868B, Class I, 24" Deep	823KP-D4-D4	Connector Kit – L-823, 8 AWG, .32" to .43" O.D.
33001	Isolation Transformer – 45 W, 6.6/6.6 A	10047-2154	Heat Shrink Kit – 1 Piece
33004	Isolation Transformer – 100 W, 6.6/6.6 A	10047-1425	Heat Shrink Kit – 2 Piece
33005	Isolation Transformer – 100 W, 20/6.6 A	21180	External Support Ring Gasket

Renewal Parts

Part Number	Description	Part Number	Description
21116	Lamp – 48 W, 6.6 A	21121	Feed-through Assembly – 2 Lamp, 1 Connector
21126-C	Lens Replacement Kit – Clear	21122	Feed-through Assembly – 1 Lamp, 1 Connector
21126-R	Lens Replacement Kit – Red	10048-25	Gasket Lubricant – 5.3 oz Container
10035-62	Gasket – Bottom Cover	850X3-XX-NSR-XXX	Spare Optical Assembly
21508	Ductile Iron Mounting Ring		

Note:

1. Lens Replacement Kit includes lens, lens boot, lens retaining gasket, gasket lubricant, and lens retaining bracket and screws.

