

Pro V LED Series

RCL/TDZ-LED, L850

Runway Centerline Light

Compliances:

- FAA AC 150/5435-46D (L-850 A)
- Engineering Brief No. 67c
- ICAO Annex 14
- IEC TS 61827
- NATO: STANAG 3316



Applications

The RCL/TDZ light does double duty as a runway centerline light and touchdown zone light. The RCL is a bidirectional light, typically clear/clear or clear/red, with two 20W LED modules. The TDZ is a clear unidirectional light, with a 20W LED module.

Features



- ETL Certification
- 8" outer diameter (12" optional)
- 0.25" height above surface
- Depth below flange: 1.38"
- Light prism size 1.57" x 0.24"
- Dust and Water tightness: IP68
- Overall lifetime* up to 20 years
- Useful Lamp life** (LED) > 50,000h
- Nominal Current: 6.6A (0-100%)
- Power consumption (@6.6A): 20W per side
- Power factor >95% at nominal current
- Temperature***: -40°C to +85°C (-40°F to +185°F)
- Internal serial interface for diagnostics and parameterization
- Arctic kit (optional). Additional 14 W while operating
- Integrated single lamp control (optional; contact factory for details)

* Not including consumable items

** Based on 24h cycle: 8h @55°C Air temperature + 1kW/m² solar radiation / 16h@25°C

*** Measured on cover surface

Ordering Information

8 5 0 - 5 - - - F 1 - - - -

Fixture Type:
A = Runway Center Line
B = Touchdown Zone

Technology:
5 = Pro V LED Series

Color:
CC = Clear/Clear
CR = Clear/Red
C0 = Clear/Blank
R0 = Red/Blank

Photometrics:
F1 = FAA

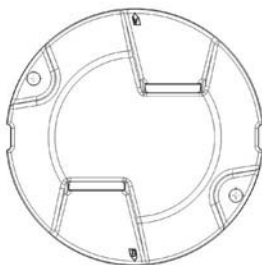
Fixture Diameter/Orientation:
NSR = Optical assembly without support ring
12S = 12" dia. support ring for Straight Application (11.25" B.C.)
12L = 12" dia. support ring, 4 degree toe left (11.25" B.C.)
12R = 12" dia. support ring, 4 degree toe right (11.25" B.C.)

L-823 Plug Connections:
P1 = One Plug
P2 = Two Plugs for bidirectional

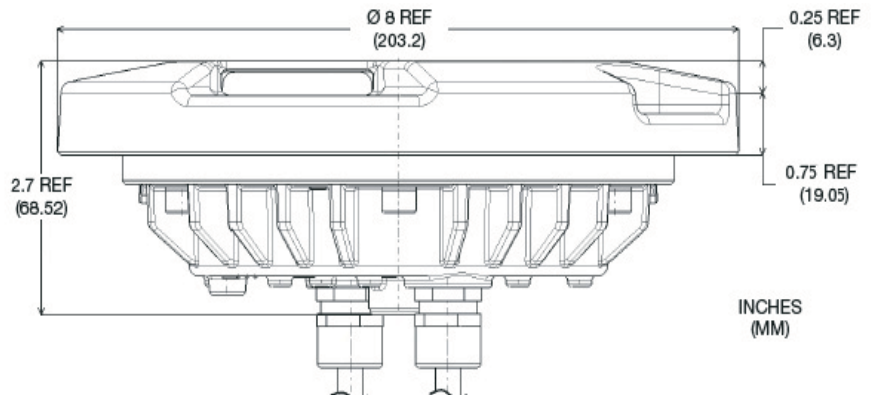
Options:
0 = No Options
1 = Arctic Kit*

* Certification Pending

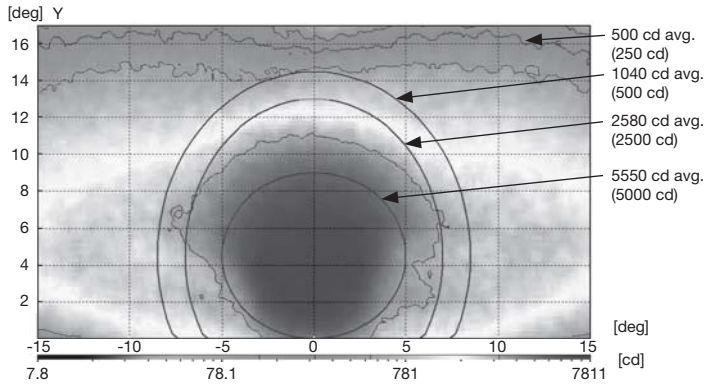
Outline Drawings



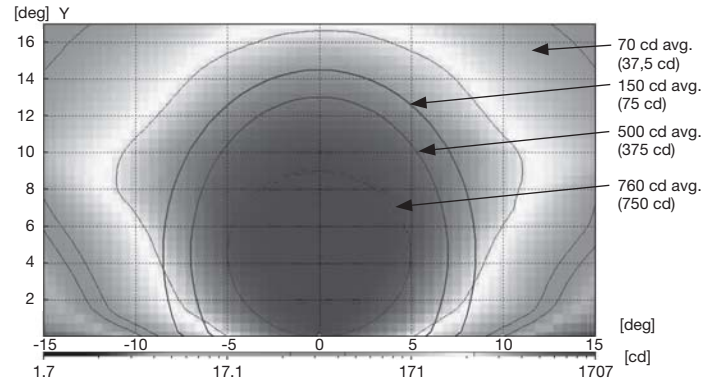
Narrow/Wide



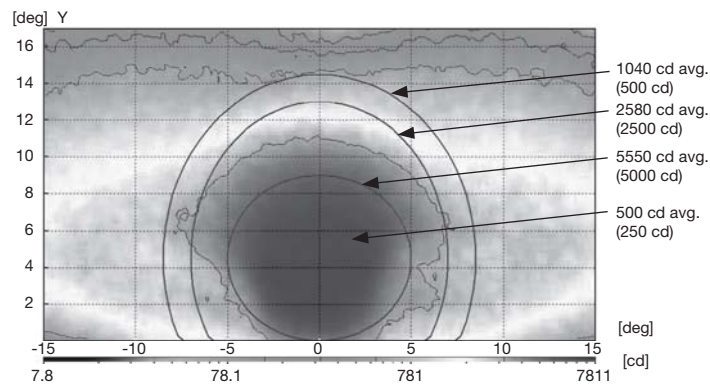
Typical Photometric Data



RCL, Light Distribution, White



RCL, Light Distribution, Red



TDZ, Light Distribution, White

Accessories

| Description | Part Number | Description | Part Number |
|--|----------------|--|-------------|
| Base: L-868B, Class I*, 24" Deep | AC24242H200303 | Isolation Transformer – 20/25 W, 6.6/6.6 A | INT11729 |
| Heat Shrink Kit – 1 Piece | 10047-2154 | Isolation Transformer – 30/45 W, 6.6/6.6 A | 33001 |
| Bolts (2) & 2 piece washer (2 sets), metric, | 22500 | Isolation Transformer – 65 W, 6.6/6.6 A | 33003 |
| 8" Dia fixture 8" Base (7.25" B.C.) w/metric threads | 823KP-D4-D4 | | |

Renewal Parts

| Description | Part Number | Description | Part Number |
|--|-------------|--|-------------|
| External O Ring for Base | 22501 | Power Supply/Fixture Base with arctic kit w/ (1) L-823 * | 22550 |
| Prism replacement kit ** | 22502 | 2 Power Supplies/Fixture Base with arctic kit w/(1) L-823* | 22552 |
| 12" Dia support ring curved applications *** | 22503 | 2 Power Supplies/Fixture Base with arctic kit w/(2) L-823* | 22551 |
| 12" Dia support ring straight applications *** | 22504 | White Cartridge Runway and Touch Down Zone **** | 22509 |
| Power Supply/Fixture Base w/ (1) L-823 * | 22507 | Red Cartridge Runway **** | 22510 |
| 2 Power Supplies/Fixture Base w/(1) L-823 * | 22523 | | |
| 2 Power Supplies/Fixture Base w/(2) L-823 * | 22508 | | |

* Power Supply kit includes Power supply, gasket, hardware and O-ring
 ** Prism kit includes Lens, boot, gasket, hardware and O-ring

*** Ring kit includes: Ring, hardware and O-ring
 **** Cartridge kit includes LED cartridge, cable ribbon, gasket, hardware(2 sets)

