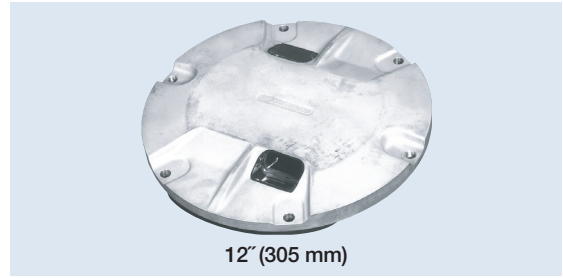


PRO III™ TCL

Taxiway Centerline Light-LED

Compliances:

- FAA AC 150/5345-46
- FAA Engineering Brief 67
- UFC 3-535-01



Applications

The TCL LED 12" is a taxiway centerline light that is used primarily as a ground traffic aid during periods of low visibility to guide aircraft between the runway and the parking stand. The TCL LED 12" is often a bidirectional light, but it also may be a unidirectional light on certain taxiways, such as high speed turnoffs.

Features



- ETL Certified
- Low profile, < .25" (6 mm) – FAA Style 3
- One-piece high-strength aluminum optical assembly
- Few parts to stock
- Easy to maintain – no sealant required for prism or feed-through assembly replacement
- Pressure test plug for seal integrity verification
- Long life LED
- Direct Replacement on existing circuit
- Complies with intensity curve requirements for 3-step and 5-step circuits, 50/60 Hz

Ordering Information



Fixture Type:

- A = L-852A (Narrow, CAT II)
- B = L-852B (Wide, CAT II)
- C = L-852C (Narrow, CAT III)
- D = L-852D (Wide, CAT III)

Color Filters:

- GX = Green/Blank YY = Yellow/Yellow
- YX = Yellow/Blank GY = Green/Yellow
- GG = Green/Green

L-823 Plug Connection:

- P1 = One plug
- P2 = Two plugs (For bidirectional units only)

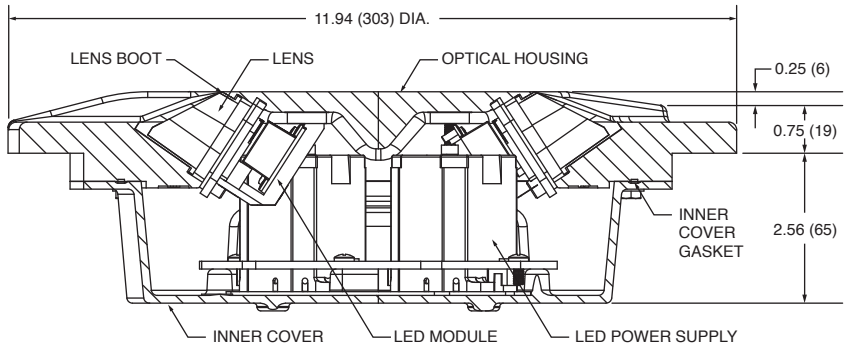
Options:

- 1 = Arctic Kit

Note: Blank unit optical housing supplied with (1) lens opening only.

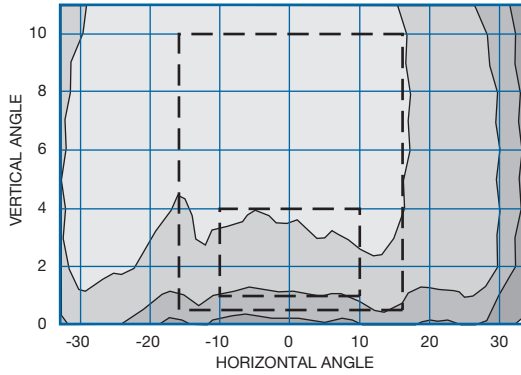
Outline Drawing

Dimensions:	inches (mm)
Instruction Manual:	2601
Shipping Weight:	23.0 lbs. 10.4 kg
Shipping Volume:	0.7 cu. ft. 0.02 m ³

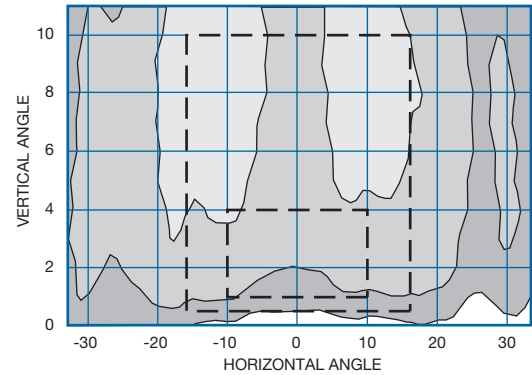


	No Heater	Heater
A	11.3 VA	33.3 VA
B	11.3 VA	33.3 VA
C	14.8 VA	36.7 VA
D	19.4 VA	41.0 VA

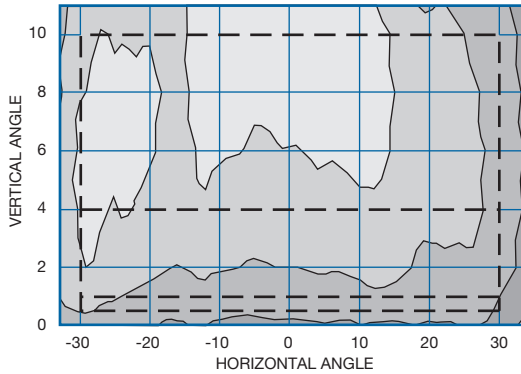
Typical Photometric Data



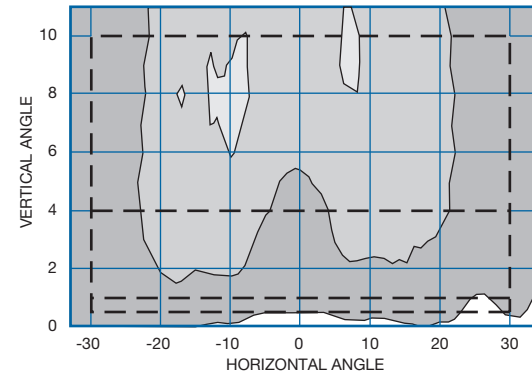
L-852A LED Green ISO Candela Plot / Max/Min: 2.15



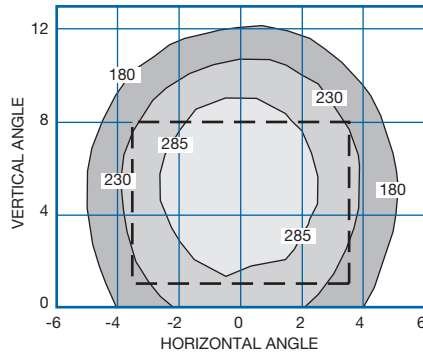
L-852A LED Yellow ISO Candela Plot / Max/Min: 2.21



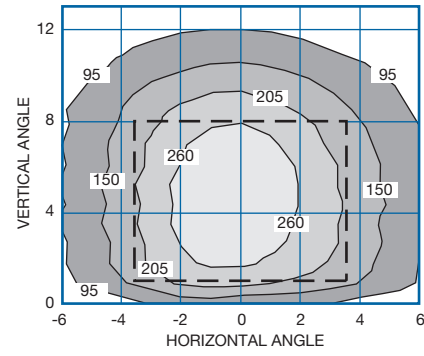
L-852B LED Green ISO Candela Plot / Max/Min: 3.46



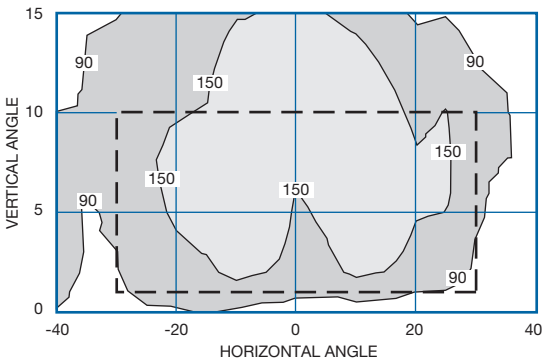
L-852B LED Yellow ISO Candela Plot / Max/Min: 2.8



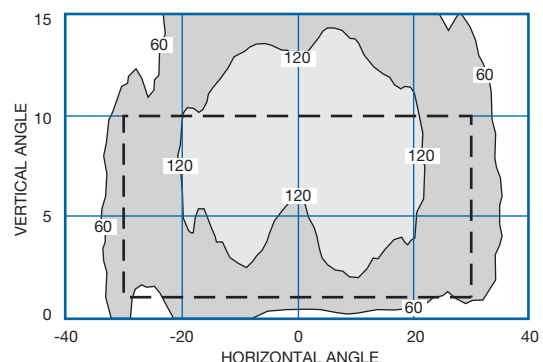
L-852C LED Green ISO Candela Plot / CD Avg: 251.65 / Max/Min: 2.32



L-852C LED Yellow ISO Candela Plot / CD Avg: 115.77 / Max/Min: 3.25



L-852D LED Green ISO Candela Plot / CD Avg: 136.84 / Max/Min: 3.21



L-852D LED Yellow ISO Candela Plot / CD Avg: 115.77 / Max/Min: 3.25



Accessories

Item Description	Catalog Number	Item Description	Catalog Number
Base: L-868B, Class I, 24" Deep	AC24242H200303	Isolation Transformer – 30/45 W, 6.6/6.6 A	33001
Connector Kit – L-823, 8 AWG, 0.32" to 0.43" O.D.	823KP-D4-D4	Isolation Transformer – 65 W, 6.6/6.6 A	33003
Heat Shrink Kit – 1 Piece	10047-2154	Lifting Tool (for outer ring)	19999

Renewal Parts

Description	Part Number	Description	Part Number
Feed-through Assembly – 1 Lamp, 1 Connector	21122	LED Module, L-852D Green	21317
Feed-through Assembly – 2 Lamp, 1 Connector	21121	LED Module, L-852D Yellow	21318
Gasket – Inner Cover	21140	LED Power Supply	Consult Factory
Gasket, Support Ring	21180	Lens Replacement Kit, L-852A	Consult Factory
LED Module, L-852A, Green	Consult Factory	Lens Replacement Kit, L-852B	Consult Factory
LED Module, L-852A, Yellow	Consult Factory	Lens Replacement Kit, L-852C	21126-C
LED Module, L-852B, Green	Consult Factory	Lens Replacement Kit, L-852D	21366
LED Module, L-852B, Yellow	Consult Factory	Mounting Bracket	21346
LED Module, L-852C Green	21354	O-Ring – Bottom Cover	10035-62
LED Module, L-852C Yellow	21355		

- Note:
1. Lens Replacement Kit includes lens, lens boot, lens retaining gasket, gasket lubricant, and lens retaining bracket and screws.
 2. For heaters and power supply renewal parts, contact factory.