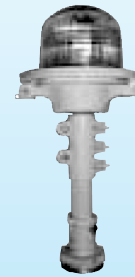


HRLQ-5

High Intensity Runway Light/Quartz



HRLQ-5

Compliances: FAA AC 150/5345-46: L-862 and L-862-E
ICAO ANNEX 14: FIG. A2-9

Applications

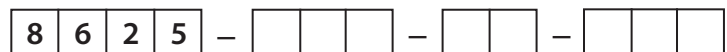
The HRLQ-5 High Intensity Runway Light is used for elevated runway edge lighting and elevated threshold and end lighting.

Features



- ETL Certified
- Requires no tools to relamp – fixture hinges open for lamp access and ease, and is held shut by a spring clip
- Easy to level – unique swivel design allows fixture to be leveled by loosening and tightening one exterior fastener
- Easy to change filters – twist in place allowing beam color to be field adjustable (LH & RH toe-in) on standard “edge” lights and on blue/clear displaced threshold “edge” lights
- 300 MPH wind tested
- Modular design
- Uses a 6.6 amp quartz bi-pin lamp
- Die-cast aluminum housing painted yellow
- Available in heights from 14-30 inches
- Airbus 380 Approved
- Standard 2” Threaded Frangible Coupling

Ordering Information



Fixture Type:

HRLQ Model:

Application and Beam Color:
(See “YYY”, Table 1)

Height in Inches:

Standard Height 14 Inches. Available in 2-inch increments to 30 inches maximum.

Options:

- 1 = 1.5”-12 UNF threaded coupling (standard is 2”-11.5 NPSM)
- 2 = 200 W lamp in place of 120 W or 150 W, L-862 (not available for blue color edge lights)
- 3 = Level adjustment lever in place of standard hex socket cap screw
- 5 = 150 W lamp in place of 120 W, L-862
- EX = Extra strength fixture (high wind/heavy snow)
- Options 1 & 3 not available with EX Option

Note: All glass will have inherent variations in color. Allowing for this all Crouse-Hinds products are certified to meet FAA requirements.

Table 1 (*Indicates FAA Approved to AC 150/5345-46)

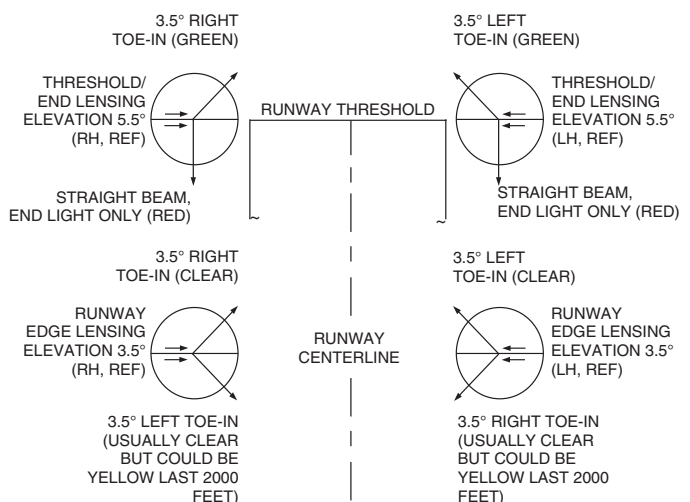
YYY	Application	Beam Color	Specification Number (FAA)	Min. Lamp Wattage
ECC	Edge, Standard*	Clear/Clear	L-862	120
ECY	Edge, Standard, LH*	Clear/Yellow	L-862	120
EYC	Edge, Standard, RH*	Yellow/Clear	L-862	120
ECR	Edge, LH, Displaced End*	Clear/Red	L-862	150
ERC	Edge, RH, Displaced End*	Red/Clear	L-862	150
ERY	Edge, LH, Displaced End	Red/Yellow	L-862	150
EYR	Edge, RH, Displaced End	Yellow/Red	L-862	150
TCG	Edge, RH, Displaced Threshold	Clear/Green	L-862	200
TGC	Edge, LH, Displaced Threshold	Green/Clear	L-862	200
TYG	Edge, RH, Displaced Threshold*	Yellow/Green	L-862	200
TGY	Edge, LH, Displaced Threshold*	Green/Yellow	L-862	200
TRG	Threshold/End, RH*	Red/Green	L-862E	200
TGR	Threshold/End, LH*	Green/Red	L-862E	200
TXG	Displaced Threshold, RH*	Blank/Green	L-862E	200
TGX	Displaced Threshold, LH*	Green/Blank	L-862E	200
SRR	End (Straight Beam)*	Red/Red	L-862E	200
SRX	End (Straight Beam)	Red/Blank	L-862E	200

RH = RIGHT-HAND; LH = LEFT-HAND; SEE FIGURE A FOR LIGHT BEAM DIRECTIONS.
E = RUNWAY EDGE LIGHT; T = RUNWAY THRESHOLD LIGHT; S = RUNWAY END LIGHT

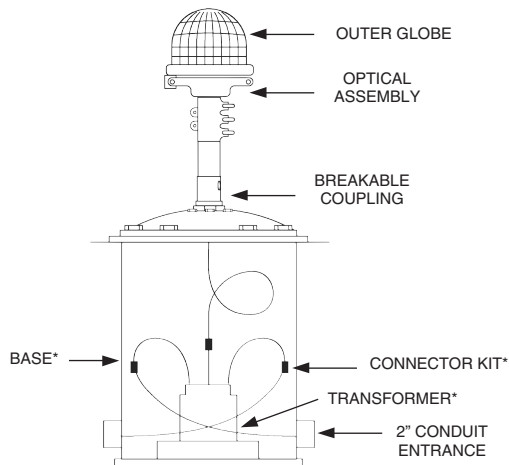
Figure A

LIGHT BEAM DIRECTIONS

Colors indicated are the normal standards. Other special application combinations available are listed in Table 1. View runway edge lights from runway centerline perpendicular to fixture when determining color in conjunction with right- (RH) and left-hand (LH) fixtures. The first color will be on the left toe-in side of the globe.

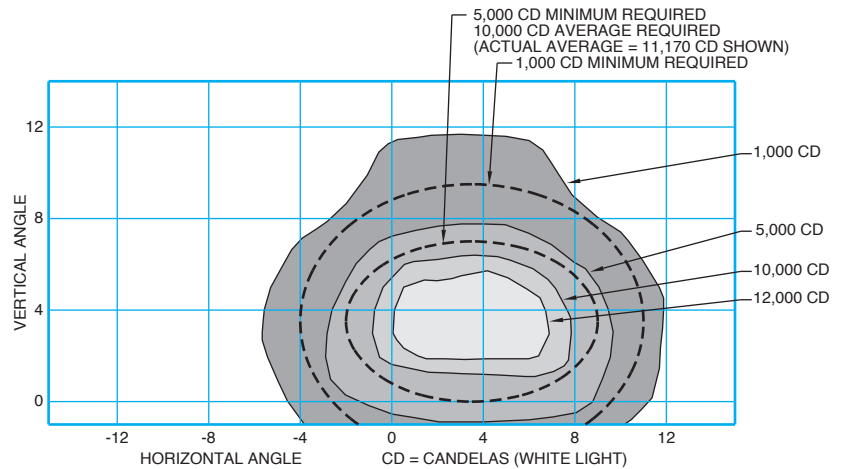


Outline Drawing



* Order separately.

Typical Photometric Data



L-862 High-Intensity Runway Light, 120 W Clear

Accessories

Catalog Number	Item Description	Shipping Weight		Shipping Volume	
		lbs.	kg	cu. ft.	m ³
AP1932	Baseplate, 2" Hub, Painted Steel	8	3.6	0.14	.004
AP1935	Baseplate, 1.5" Hub, Painted Steel	8	3.6	0.14	.004
AC2124H200301	Base L-867, Class I, 24" deep	52	23.6	2.6	.074
823KP-D4-D4	Connector Kit L-823, 8 AWG Stranded, .32" to .43" O.D.				
50359	Leveling Fixture				
33004	Transformer, 100 W, 6.6/6.6 A	8.6	3.9	0.3	.009
33006	Transformer, 200 W, 6.6/6.6 A	8.9	4.04	0.3	.009

Renewal Parts

Part Number	Description	Part Number	Description
50344-C	Clear Outer Globe (for "ECC", "ECY", "EYC", applications)	40989	Globe Gasket
50344-R/G	Red/Green Outer Globe (for "TRG" applications)	50351	Filter Gasket
50344-R/X	Red/Blank Outer Globe (for "SRX" applications)	50366	Filter Spring
50344-X/G	Blank/Green Outer Globe (for "TXG" applications)	20058	Lamp, 120 W, 6.6 A, Bi-Pin
50344-G/R	Green/Red Outer Globe (for "TGR" applications)	20172	Lamp, 200 W, 6.6 A, Bi-Pin
50344-G/X	Green/Blank Outer Globe (for "TGX" applications)	40925	Lamp, 150 W, 6.6 A, Bi-Pin
50344-R	Red Outer Globe (for "SRR" applications)		
50360-C	Clear Inner Filter Half (2 required on units with clear, blank or colored outer globe)		
50360-Y	Yellow Inner Filter Half		
50344-C/G	Clear/Green Outer Globe (for "TCG" and "TYG" applications)		
50344-G/C	Green/Clear Outer Globe (for "TGC" and "TGY" applications)		
50344-C/R	Clear/Red Outer Globe (for "ECR" and "EYR" applications)		
50344-R/C	Red/Clear Outer Globe (for "ERC" and "ERY" applications)		
50184	Frangible Coupling 2" Aluminum		
60683-E	Frangible Coupling 2" Aluminum—EX Option		

Instruction Sheet:	2016
Shipping Weight:	4.5 lbs. 2.0 kg
Shipping Volume:	0.31 cu. ft. .009 m ³
Photometric Data:	Contact Field Services

